

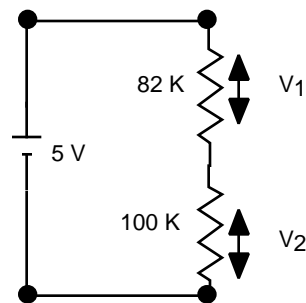
## Voltage, Current, Resistance and Ohm's Law

### Necessary Equipment

1. Resistors of various sizes
2. Digital Multimeter (DMM)
3. Protoboard
4. Voltage Supply
5. Potentiometer
6. Helipot

### Procedure

1. Use a DMM to read the voltage of a power supply.
2. Use the resistor color code to find a 33 K resistor and a 1 K resistor. Check these values with a DMM. Are the DMM readings consistent with the tolerance rating marked on the resistor?
3. Find resistors with power ratings of 1/4 W and 1/2 W.
4. Fit the DMM with alligator clips and wire leads to make a continuity checker. Use it to discover the arrangement of connections on a *protoboard*. Which holes are connected?
5. Use a DMM to measure the resistance of a 1 M resistor while holding one resistor lead in the fingers of your left hand and the other resistor lead in the fingers of your right hand. Repeat the measurement in a way that gets your body out of the circuit. Do you find a difference? Would you expect to find a difference if the resistance to be measured was 10 K ? Try it.
6. Predict and measure the combined resistance of:
  - A) 82 K and 100 K in series.
  - B) 82 k and 100 K in parallel.
7. The circuit in Figure 1 is known as a voltage divider. You can build it on a protoboard.
  - A) Predict and measure the voltages  $V_1$  and  $V_2$ . Compare with the supply voltage.
  - B) Predict the battery current. Use the DMM to measure it.
  - C) Suppose the 82 K resistor is shorted. Predict the battery current and the current through the 100 K resistor. Use the DMM to measure these.



**Figure 1: Resistors in Series.**

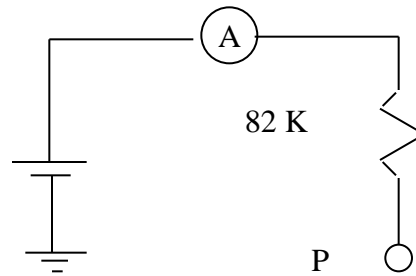
8. Figure 2 shows an open circuit. What is the current through the ammeter? What is the voltage at point P?

9. Figure 3 shows a voltage divider that is loaded by a load resistor  $R_L$ . Predict how the voltage  $V_2$  changes if  $R_L = 1\text{ M}$ . Measure it. Predict how the voltage  $V_2$  changes if  $R_L = 330\text{ K}$  and measure it.

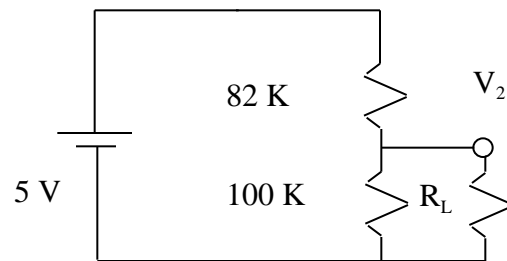
10. A potentiometer (pot) has three terminals. Use a DMM to identify the terminal for the moveable tap on a standard rotary pot. Which terminals are connected together for maximum clockwise rotation? For maximum CCW rotation?

11. Adjust the pot so that the resistances of the two sides are equal. Show by measurements that this pot is now a voltage divider that divides the voltage by two. Does it matter what the resistance of the pot is?

12. Use a DMM to identify the moveable tap on a Helipot.



**Figure 2: Open Circuit.**



**Figure 3: Voltage Divider.**