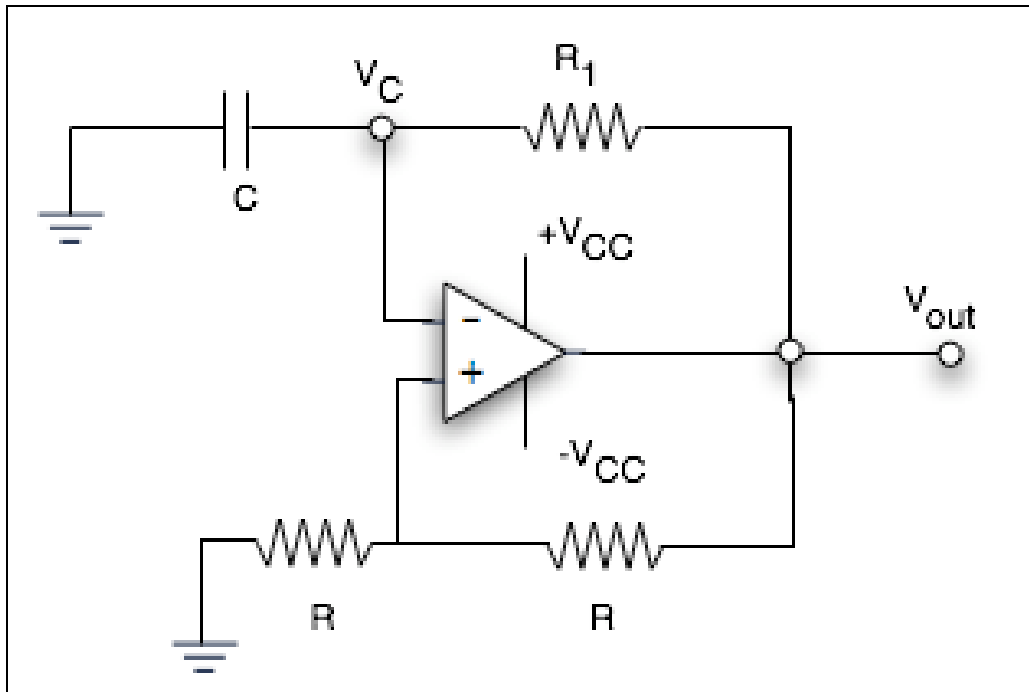


Consider the op-amp relaxation oscillator shown below.



Depending on the voltage V_C , the output V_{out} has the value $+V_{CC}$ or $-V_{CC}$.

- If $V_{out} = +V_{CC}$ what are the possible values of V_C ?
- If $V_{out} = -V_{CC}$ what are the possible values of V_C ?
- Determine V_C as a function of time.
- Find the period of the oscillator. What is its waveform?