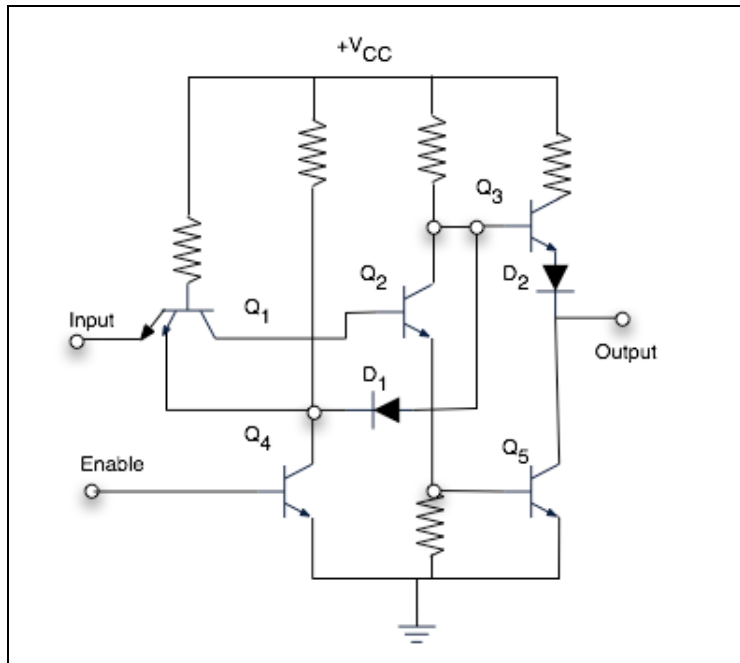


The schematic below shows a design of a three-state output gate. The three states are HIGH, LOW and FLOATING. Develop a truth table for the gate. For all combinations of INPUT's and ENABLE's explain how the OUTPUT state is reached.



Enable	Input	Output
LOW	LOW	?
LOW	HIGH	?
HIGH	LOW	?
HIGH	HIGH	?