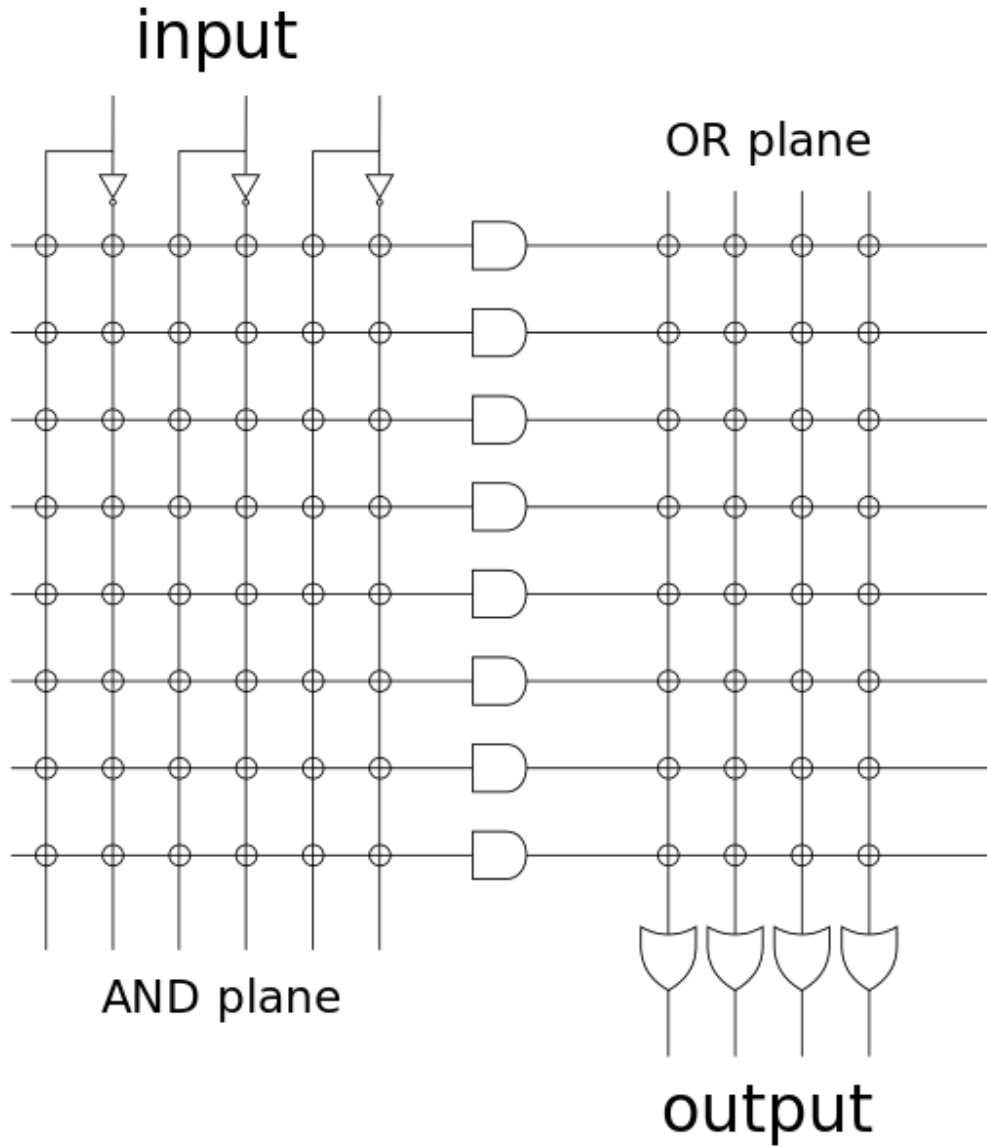
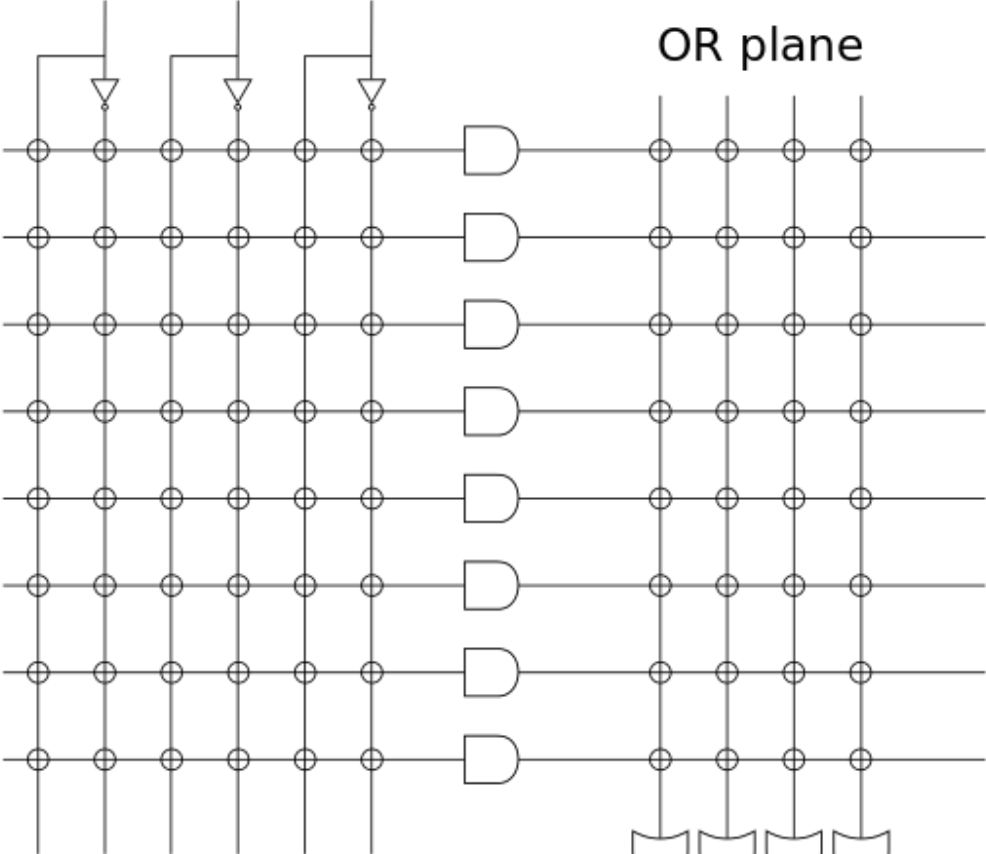


P2.20 A PLA device needs to be programmed to fulfill the role of (a) a half-adder and (b) a full-adder. Determine the truth tables for the two functionalities and indicate what fuses may be used to arrive at those functionalities.



input



OR plane

AND plane



output