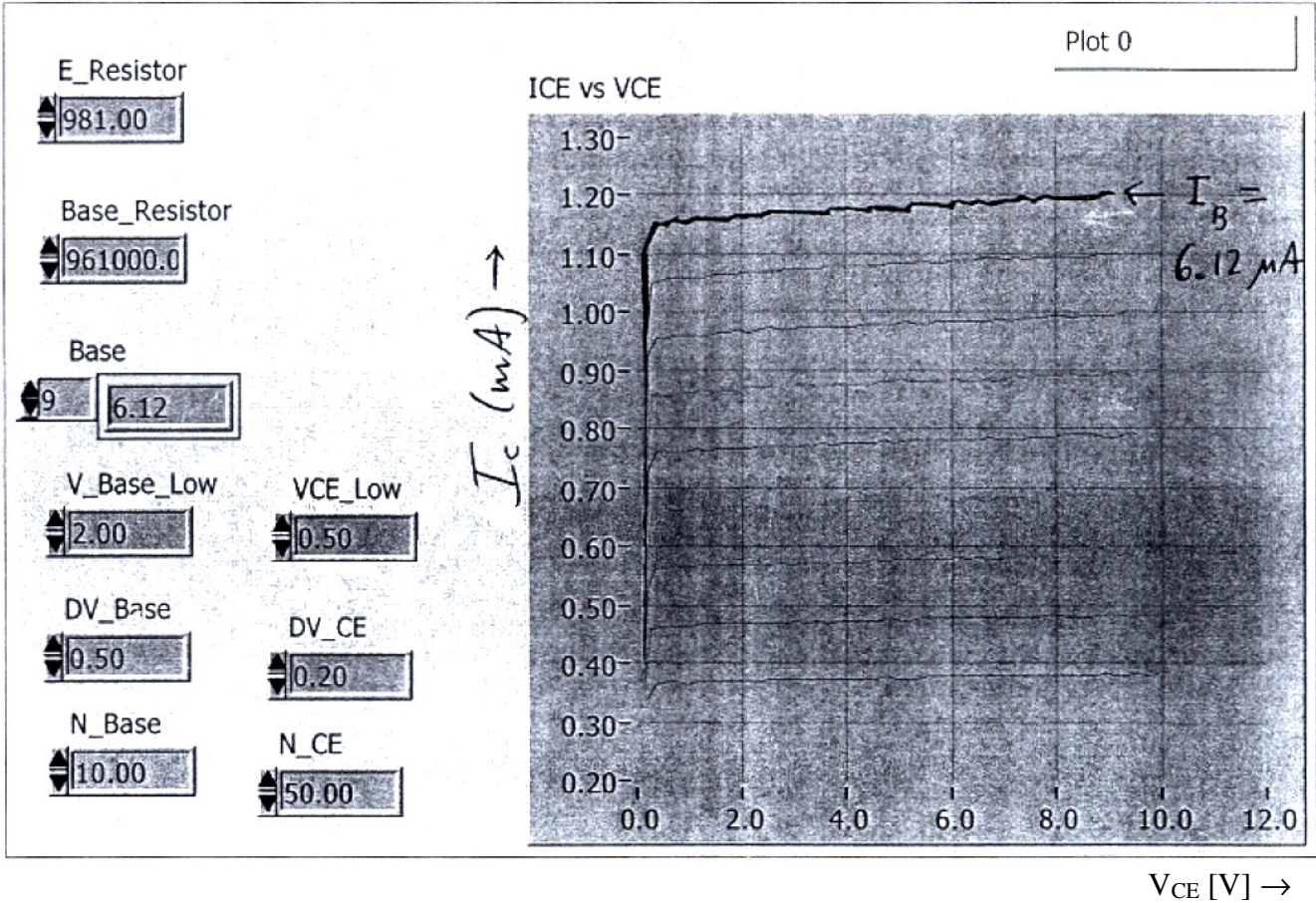
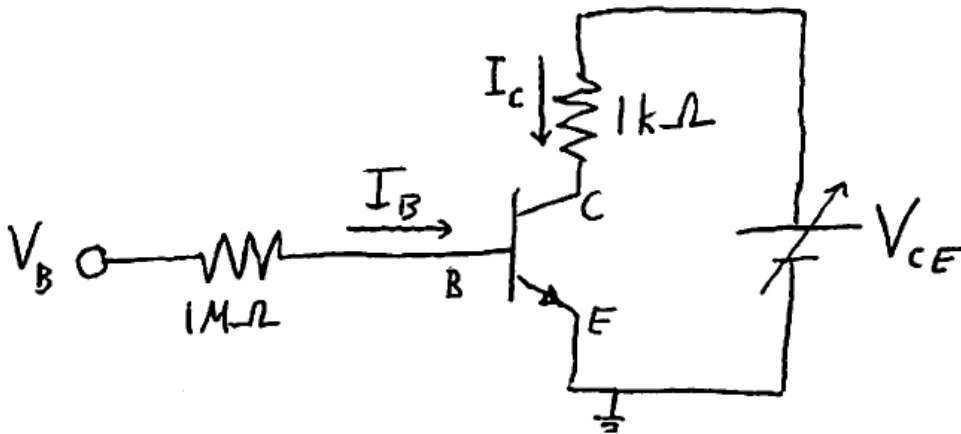


# PHY 440: Measuring $\beta$ in Lab 6

Example data:



Lab 6 Figure 2, simplified:



Labview steps the base current (by stepping  $V_B$ ). For each step, it plots  $I_C$  versus  $V_{CE}$ .