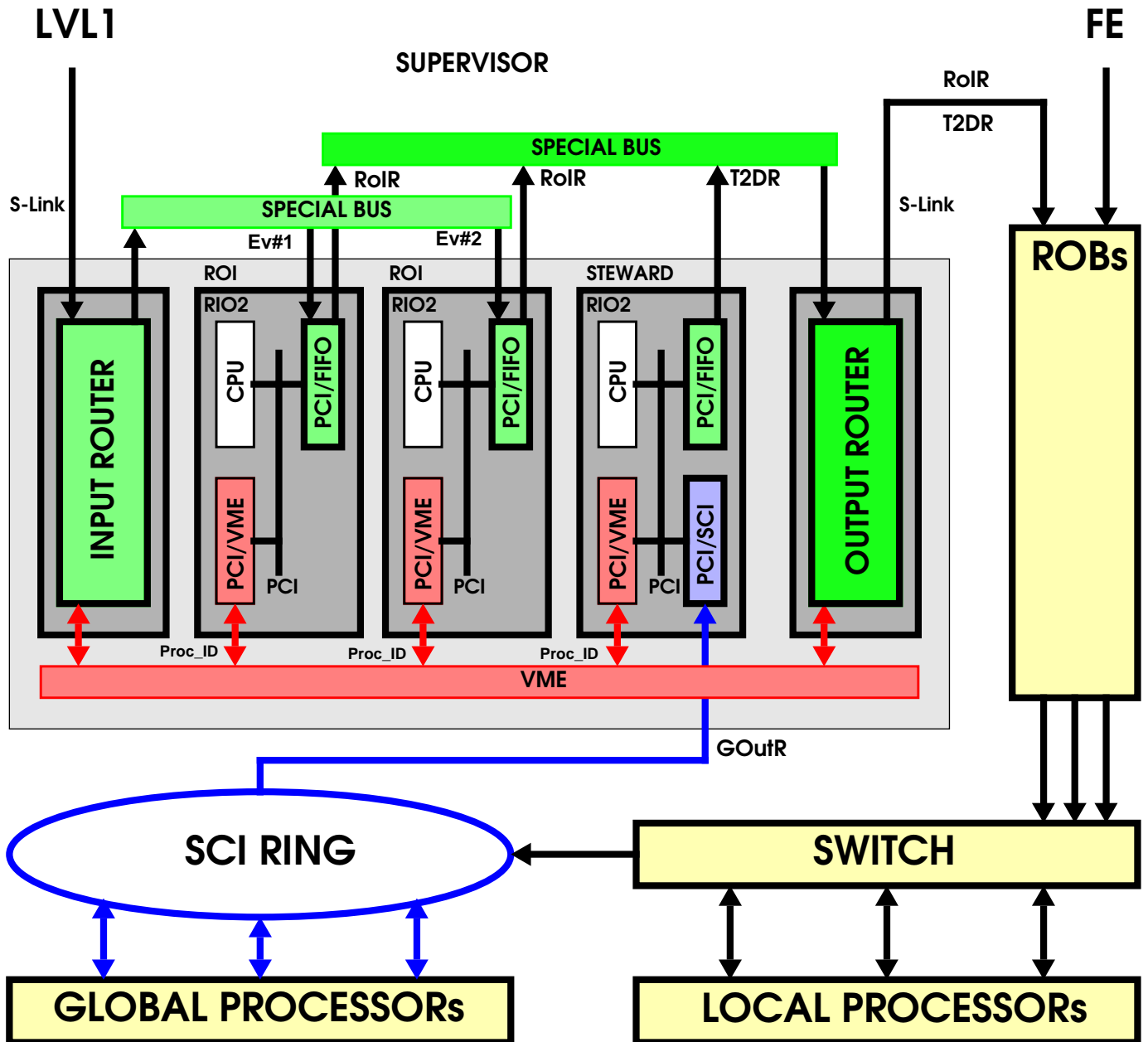

The Level-2 Supervisor for the demonstrators

Demonstrator for the architecture "B"



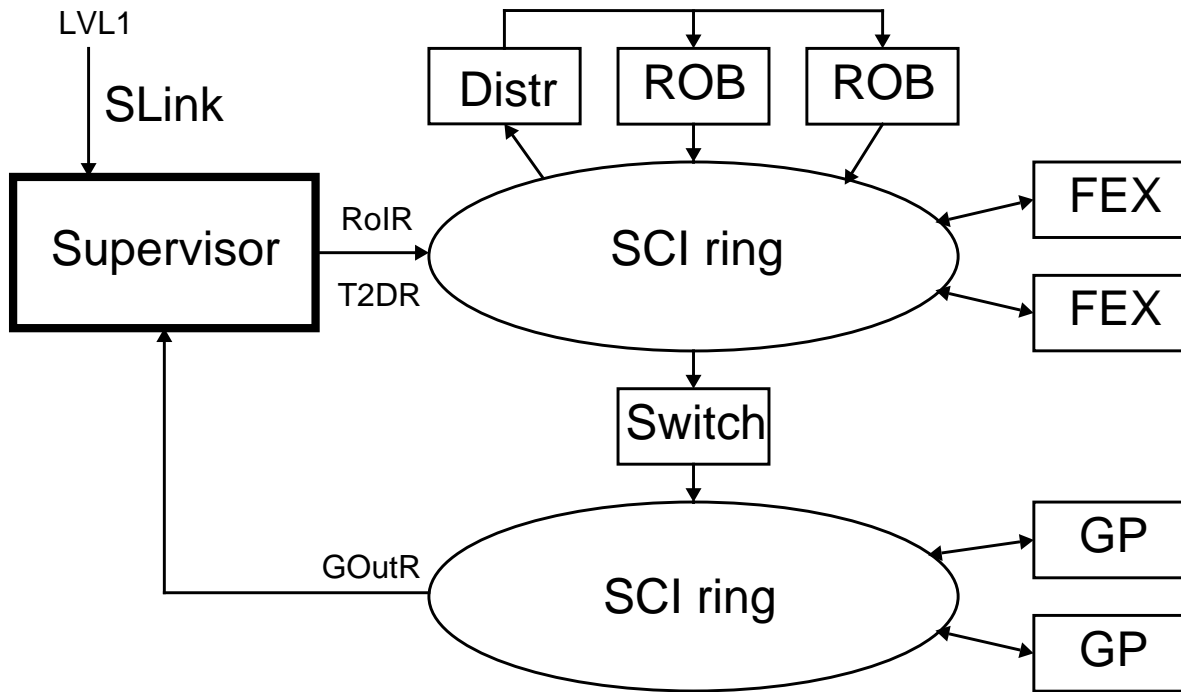
The Level-2 Supervisor for the demonstrators

Level 2 Supervisor (Demo-B): Hardware status

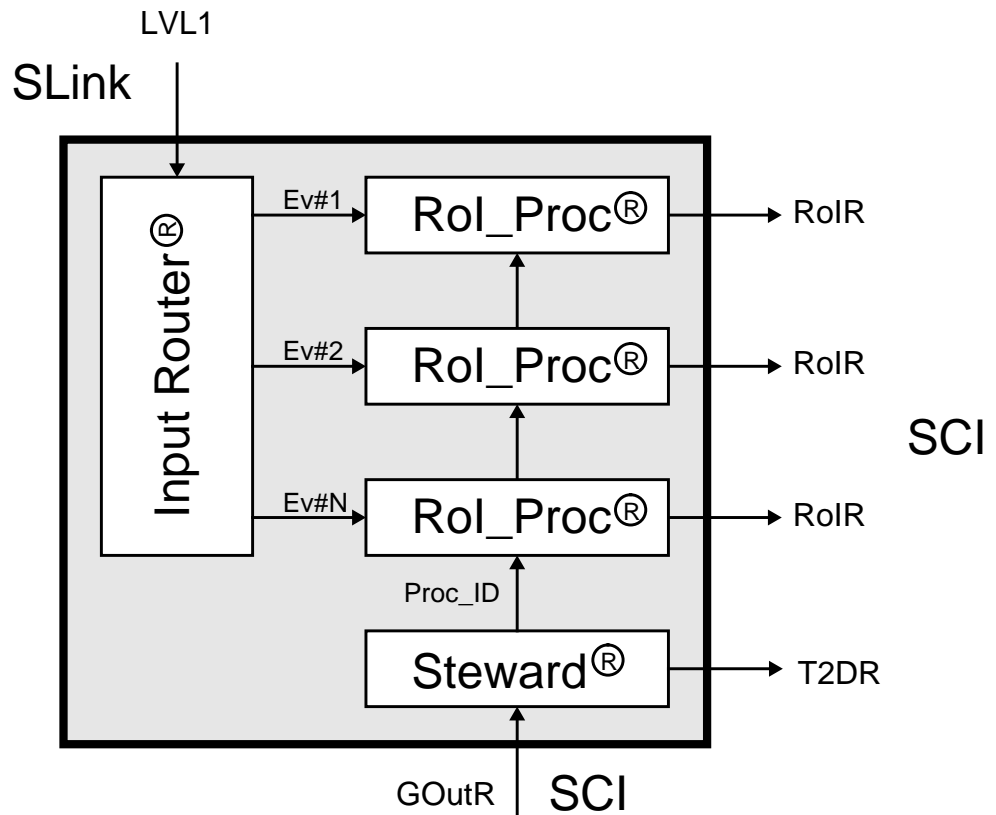
Commercial H/W:	Need
CES RIO2 8060 (PPC603, 16Mb DRAM)	2
CES RIO2 8060 (PPC604, 16/32Mb DRAM)	2
Dolphin PCI/SCI PMC (PC) card	1
Custom H/W:	
ANL PCI/FIFO (4K*4B, in/out) interface	3
ANL Special Bus (200 MB/s)	2
ANL Input Router (S-Link / Special Bus)	1
ANL Output Router (Special Bus / # S-Link)	1
Budapest FCS/S-Link interface	1(2)
CERN PCI/DS-Link PMC card	1

The Level-2 Supervisor for the demonstrators

Level-2 trigger system (Demo-B')

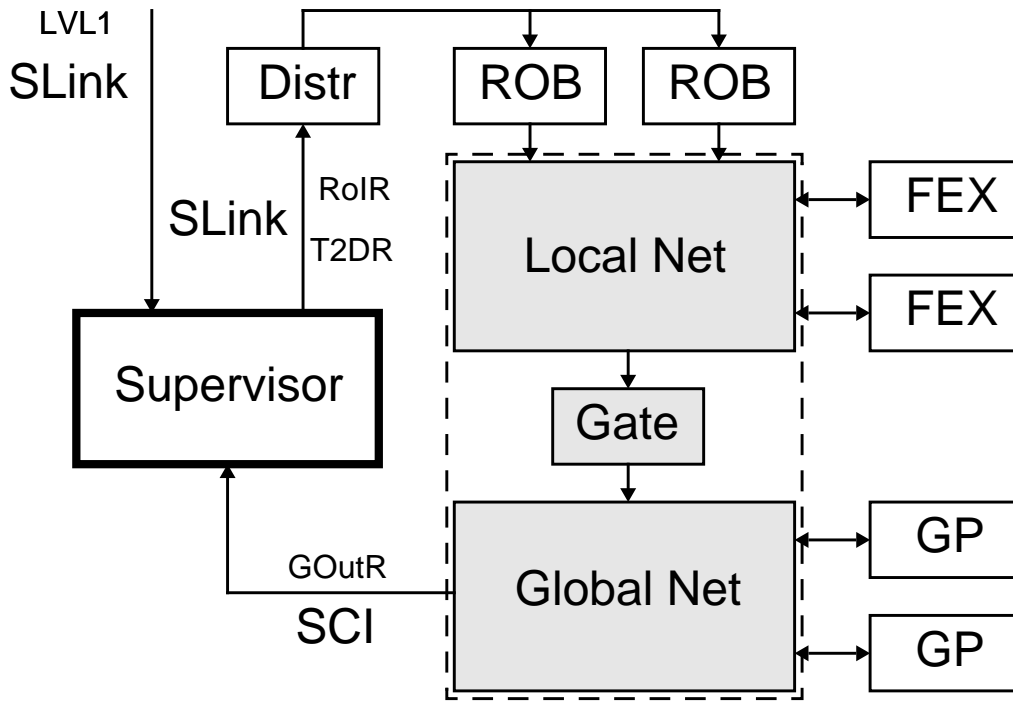


Level-2 Supervisor (Demo-B')



The Level-2 Supervisor for the demonstrators

Level-2 trigger system (Demo-B)



Level-2 Supervisor: Conceptual design

(<http://sgi3.hep.anl.gov:8001/l2concep.html>)

