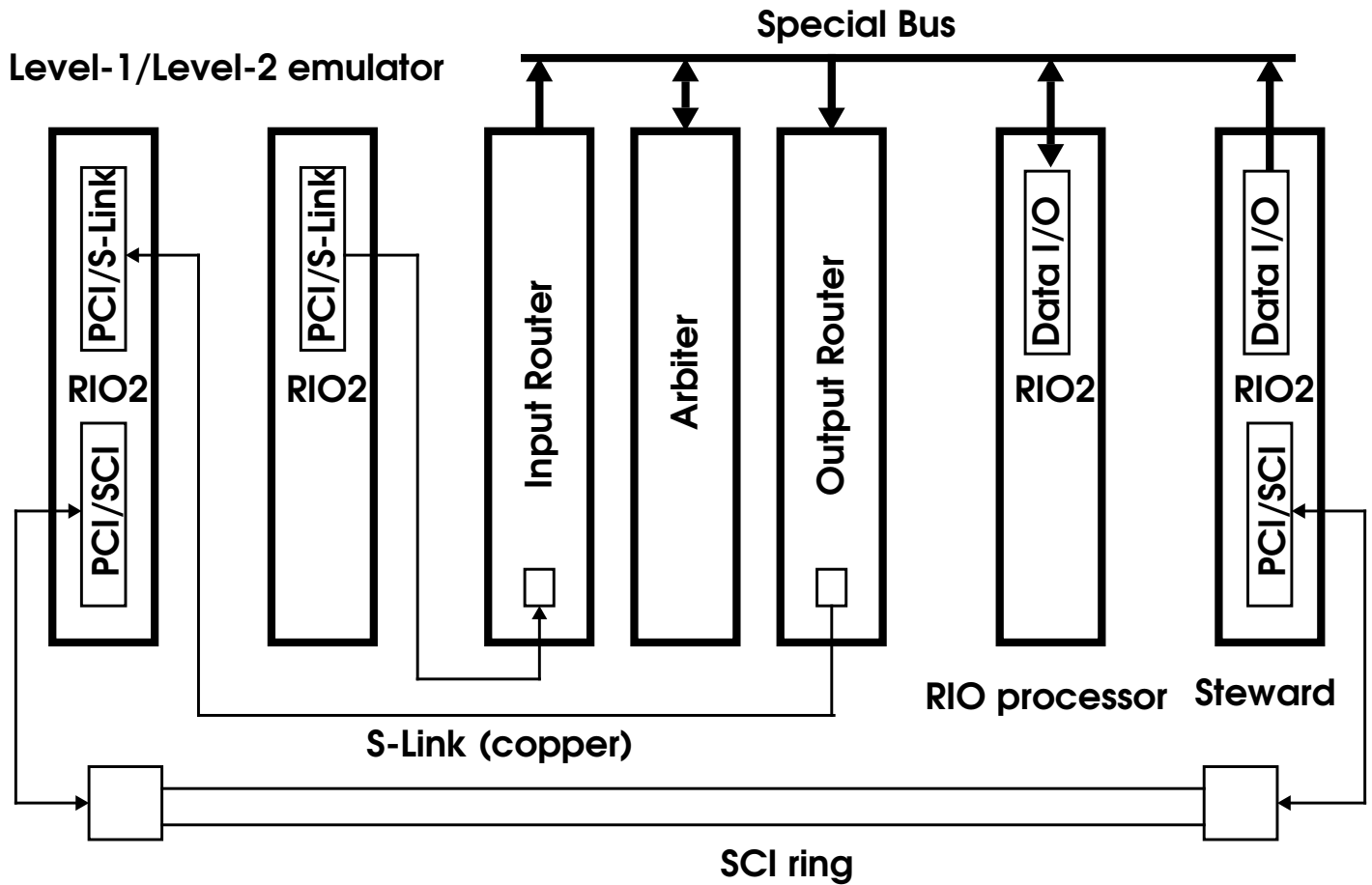

Supervisor integration (4)

Test setup

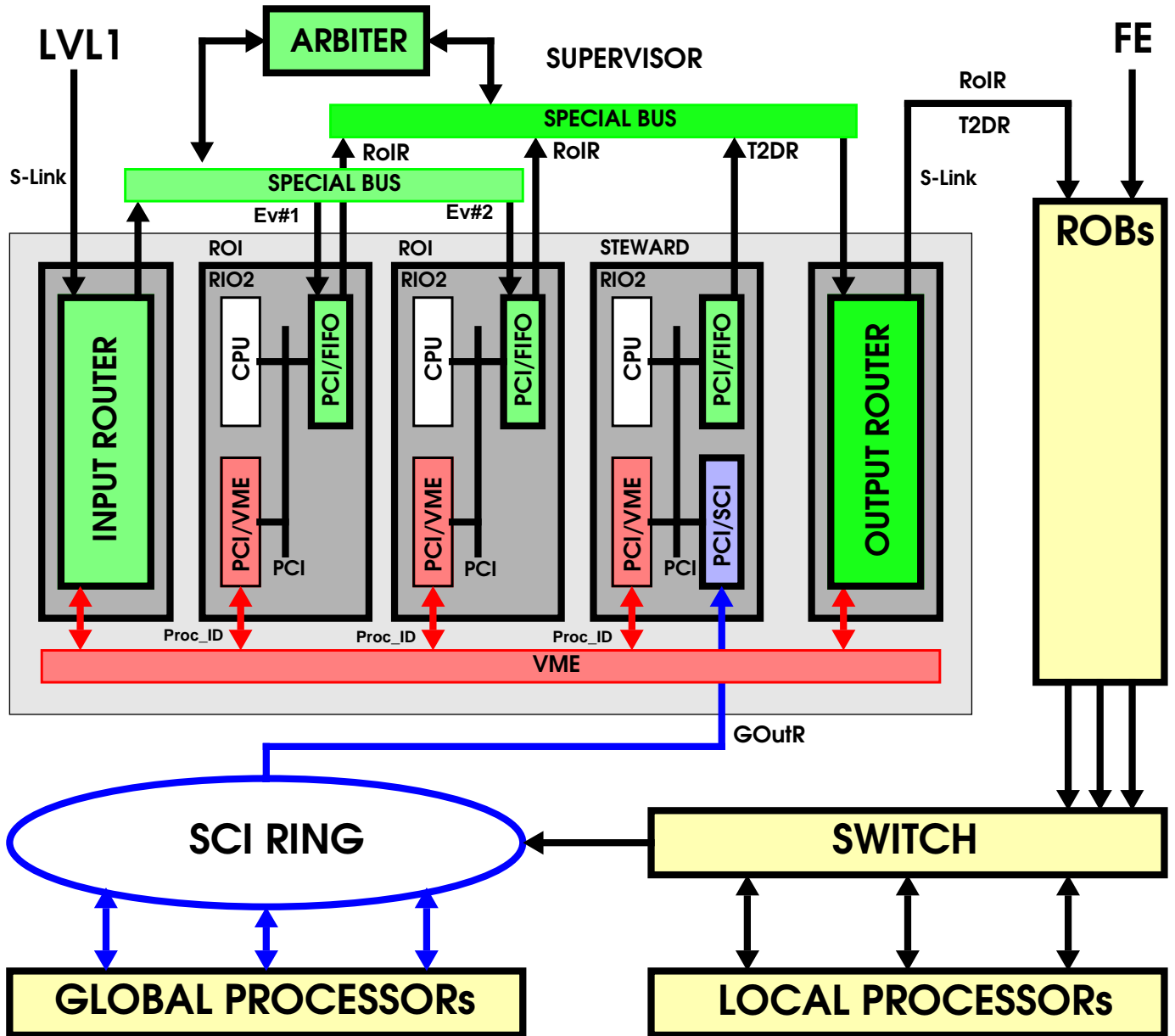


Status:

Custom Hardware	- OK
RIO2	- OK
PCI/S-Link	- OK
Dolphin PCI/SCI	- problems (?)
PCI/DS-Link	- not received

Supervisor integration (3)

Supervisor for Demo-B



Custom H/W:

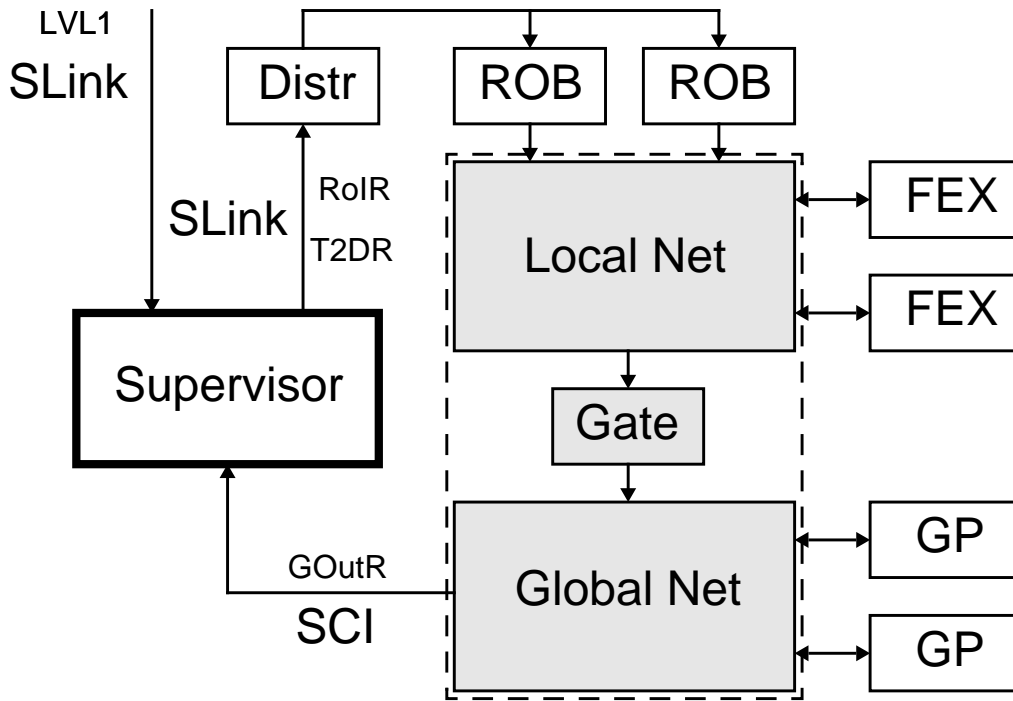
- Input Router (S-Link / Special Bus)
- Special Bus, Arbiter
- Data I/O PMC (Special Bus / PCI)
- Output Router (Special Bus / # S-Link)

Commercial H/W:

- CES RIO2 (ROI, STEWARD)
- Dolphin PCI/SCI PMC (PC) card
- CERN PCI/S-Link PMC
- CERN PCI/DS-Link PMC

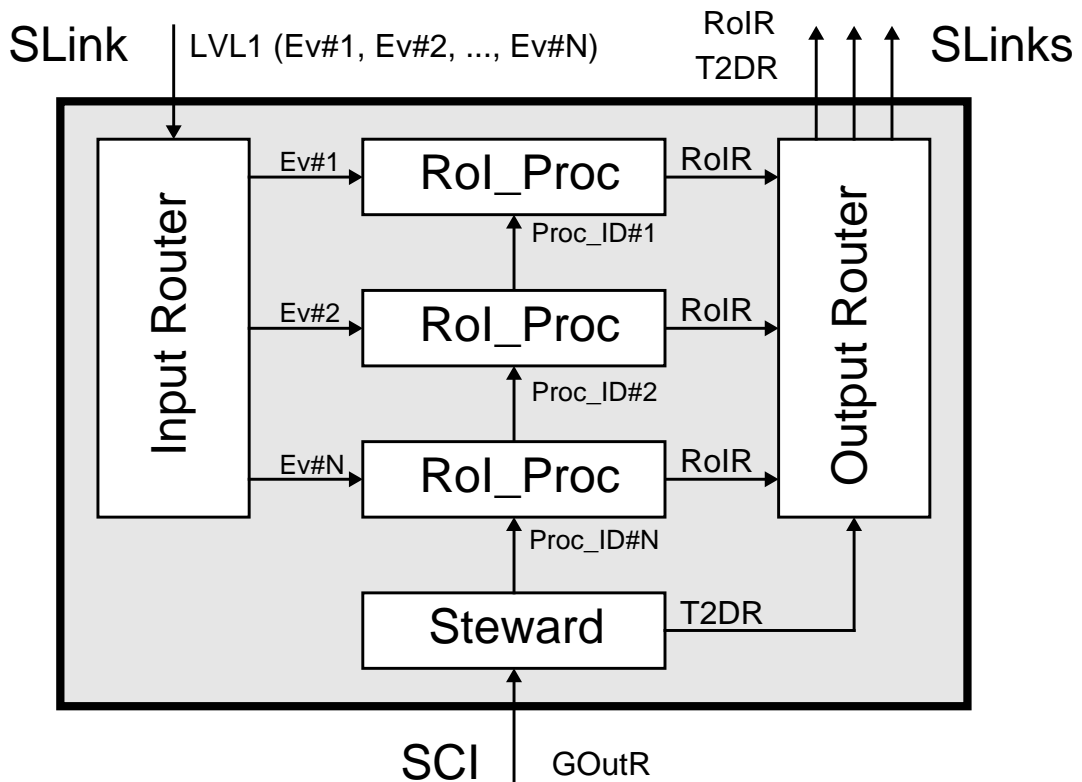
Supervisor integration (2)

Level-2 trigger system (Demo-B)



Level-2 Supervisor: Conceptual design

(<http://sgi3.hep.anl.gov:8001/l2concep.html>)



Supervisor integration (1)

- 1. Level-2 trigger system (Demo-B)**
- 2. Level-2 Supervisor: Conceptual design**
- 3. Supervisor for Demo-B**
- 4. Test setup**
- 5. Status**