

SO SERIES

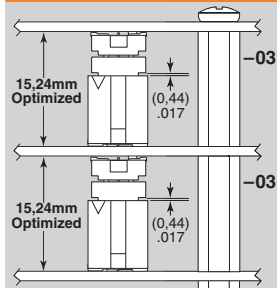
PRECISION BOARD STACKING STANDOFF

SPECIFICATIONS

For complete specifications and recommended PCB layouts see www.samtec.com?SO

Material: Aluminum
Locking Compound: Nylon

APPLICATIONS



See QMS/QFS Series for StackableUSB™, SUMIT™ & PCI/104-Express™ connectors
 Requires Standoff SO-1524-03-01-02-L 15.24mm board spacing. Connectors designed to not fully seat when mated.

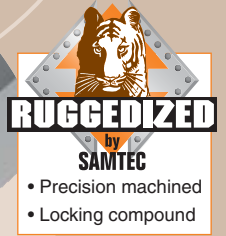
See next page for more applications!

APPLICATIONS



Ideal for use with all Samtec SI connectors

Precision machined tolerances ($\pm .002"$ (0,05mm))

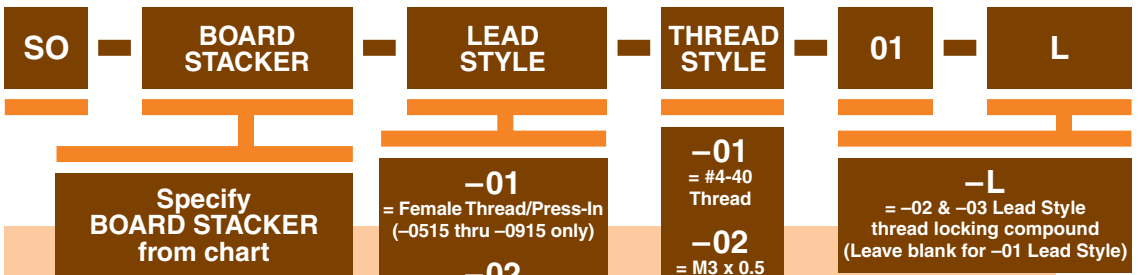


- Precision machined
- Locking compound

Stack heights from 5mm to 30mm

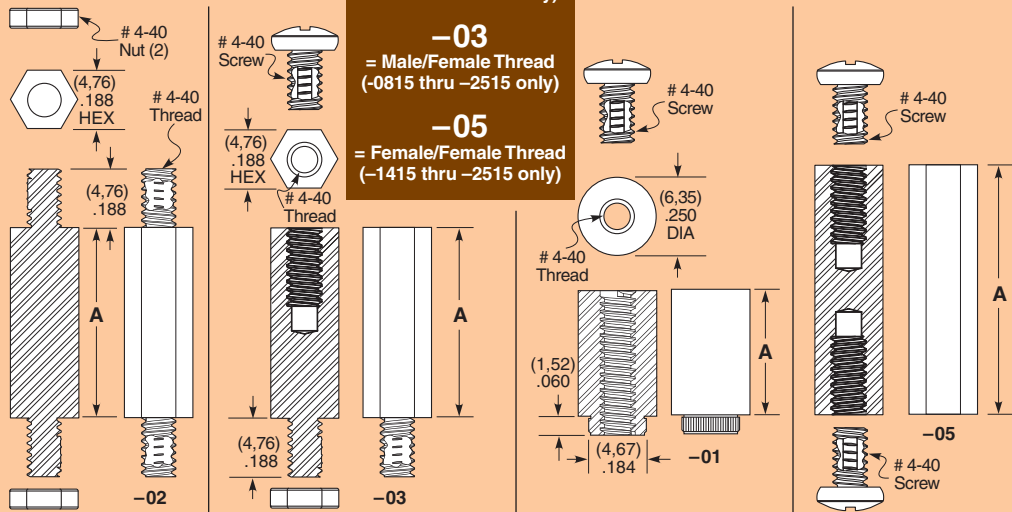
APPLICATION SPECIFIC OPTION

- Stainless Steel
 - Locking compound removed
 - Other materials and threading
 - No Hardware
- Call Samtec.



BOARD STACKER	A	BOARD STACK HEIGHT
-0515	(5,15) .203	5mm
-0715	(7,15) .282	7mm
-0815	(8,15) .321	8mm
-0865	(8,65) .341	8,5mm
-0915	(9,15) .360	9mm
-1015	(10,15) .400	10mm
-1115	(11,15) .439	11mm
-1215	(12,15) .478	12mm
-1315	(13,15) .518	13mm
-1415	(14,15) .557	14mm
-1515	(15,15) .597	15mm
-1524	(15,24) .600	15,24mm
-1615	(16,15) .636	16mm
-1890	(18,90) .744	18,75mm
-1915	(19,15) .754	19mm
-2015	(20,15) .793	20mm
-2215	(22,15) .872	22mm
-2515	(25,15) .990	25mm
-3015	(30,15) 1.187	30mm

Note: Some sizes, styles and options are non-standard, non-returnable.



Components are to be packaged in separate bags unassembled.

Due to technical progress, all designs, specifications and components are subject to change without notice.

