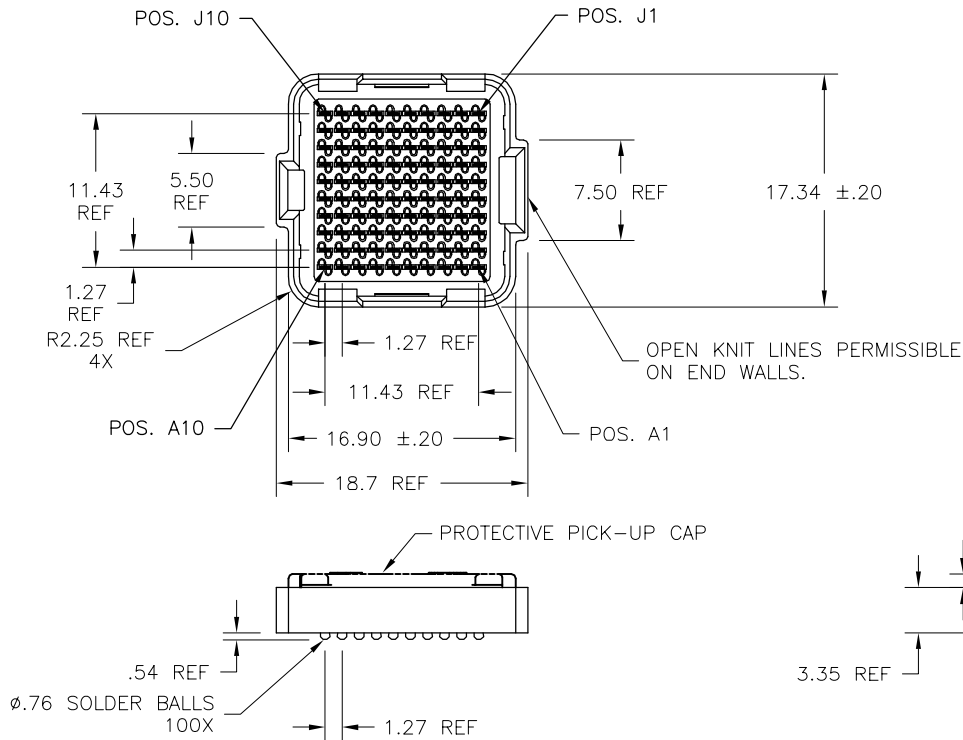


PRODUCT No.	PICK-UP CAP	CONTACT PLATING	SOLDER BALL
84512-002	YES	15u" (.38um) Au OVER Ni	SnPb
84512-002LF			SnAgCu LEAD FREE (4)(5)
84512-102	YES	30u" (.76um) Au OVER Ni	SnPb
84512-102LF			SnAgCu LEAD FREE (4)(5)
84512-202	YES	SEE NOTE 3.	SnPb
84512-202LF			SnAgCu LEAD FREE (4)(5)



mat'l. code		surface		tolerance		projection		product family	
-		ASME Y14.5 ✓		ASME Y14.5				MEG-Array	
ltr	ecn no	dr	date	tolerances unless otherwise specified				title	
A	V10244	DRW	11/21/01	angles	X *3	10 X 10 = 100 POSITION		Omm PLUG ASSY.	
B	V20006	DRW	1/24/02	linear	.XX ±.10	scale 1:1			
C	V20949	DAI	8/15/02	0° ±2'	XXX ±.050				
D	V03-0680	DAI	06/19/03	dr	D.WAUGHEN	3-8-00	dwg no		sheet 1 of 3 size
E	V04-0940	VS	10/18/04	engr	B.SPINK	3-8-00	84512		A4
F	V06-0560	LP	2006/07/14	chr	B.SPINK	3-8-00	type		CUSTOMER Drawing
G	V07-0663	LP	2007/10/29	appd	B.SPINK	3-8-00			
sheet	revision	G	G	G					
index	sheet	1	2	3					

NOTES:

①. MAT'L

HOUSING: LCP
CONTACT: COPPER ALLOY

PLATING

CONTACT: (SEE TABLE ON SHEET1)
SOLDER BALL: (SEE TABLE ON SHEET1)
EUTECTIC SnPb OR LEAD FREE
95.5Sn/4Ag/0.5Cu

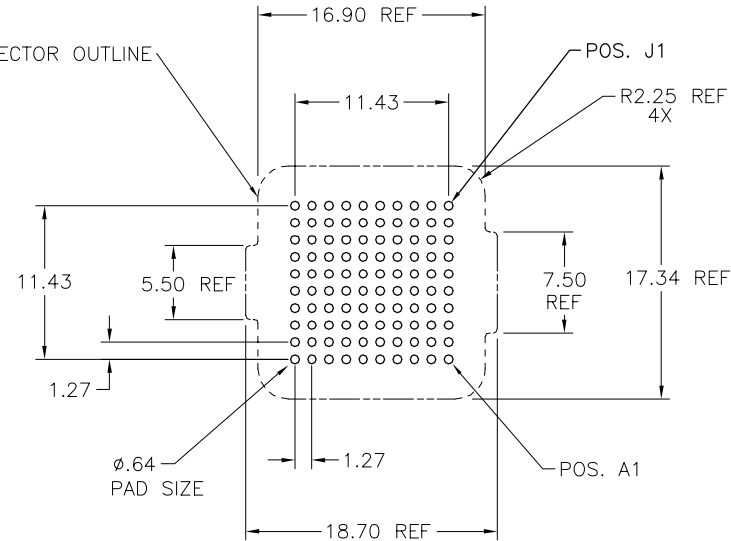
2. OVERALL BOARD-TO-BOARD STACK
HEIGHT WHEN MATED TO P/N 84513
100 POSITION 4.0mm RECPT. IS 4.0mm REF.

3. PLATING FOR -2XX SERIES DASH NOS. MEETS
THE REQUIREMENTS OF NORTEL NPS25298-2
(CENTRAL OFFICE ENVIRONMENT, 25 YEAR
LIFE EXPECTANCY).

④. FOR PROPER APPLICATION FOLLOW FCI APPLICATION
SPECIFICATION GS-20-033 LEAD FREE SOLDER BALLS WILL
NOT SOLDER PROPERLY IN A LEADED SOLDER PROCESS
DUE TO A HIGHER REFLOW TEMPERATURE. LEAD FREE
PRODUCT IS THEREFORE NOT BACKWARDS COMPATIBLE WITH
LEADED OR SOME SOLDERING APPLICATIONS. REFERENCE
FCI APPLICATION SPECIFICATION

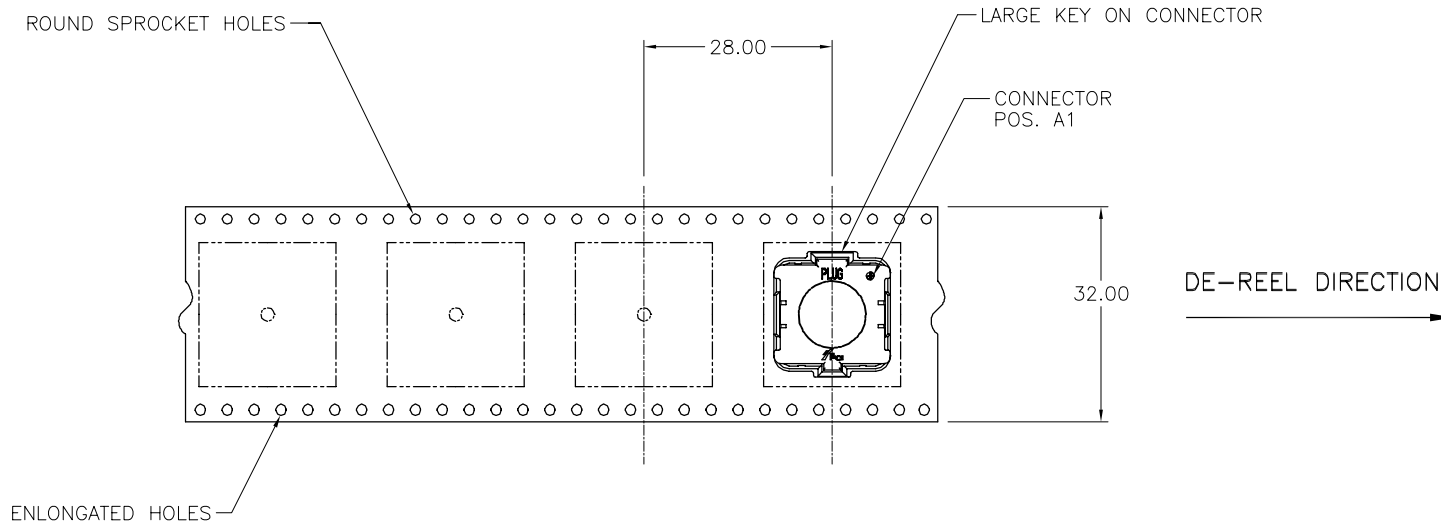
⑤. THIS PRODUCT MEETS EUROPEAN UNION DIRECTIVES AND
OTHER COUNTRY REGULATIONS AS DESCRIBED IN GS-22-008
PRODUCT MEETING THIS DIRECTIVE IS IDENTIFIED IN THE LOT
CODE NUMBER MARKED ON EACH PART BY HAVING AN "X"
IN THE SEVENTH CHARACTER POSITION

STENCIL MATED CONNECTOR OUTLINE
ONTO BOARD.



BOARD PATTERN

mat'l. code		surface		tolerance		projection		product family								
-		ASME Y14.5		ASME Y14.5				MEG-Array								
ltr	ecrn no	dr	date	tolerances unless otherwise specified												
g				angles	<table border="1"> <tr><td>linear</td><td>X *3</td></tr> <tr><td></td><td>.XX *10</td></tr> <tr><td></td><td>XXX *050</td></tr> </table>		linear	X *3		.XX *10		XXX *050			title	
linear	X *3															
	.XX *10															
	XXX *050															
				0° ±2'	<table border="1"> <tr><td>linear</td><td>X *3</td></tr> <tr><td></td><td>.XX *10</td></tr> <tr><td></td><td>XXX *050</td></tr> </table>		linear	X *3		.XX *10		XXX *050	scale 1:1		0mm PLUG ASSY. 10 X 10 = 100 POSITION	
linear	X *3															
	.XX *10															
	XXX *050															
		dr	D.WAUGHEN	3-8-00			dwg no		sheet 2 of 3	size						
		engr	B.SPINK	3-8-00			84512		A4							
		chr	B.SPINK	3-8-00			type		CUSTOMER Drawing							
		appd	B.SPINK	3-8-00												
sheet index	revision sheet															



mat'l. code		-		surface	ASME Y14.5 ✓	tolerance	ASME Y14.5	projection	product family	MEG-Array							
ltr	ecn no	dr	date	tolerances unless otherwise specified			<table border="1"> <tr> <td>angles</td> <td>X ±3</td> </tr> <tr> <td></td> <td>XX ±10</td> </tr> <tr> <td>0° ±2°</td> <td>XXX ±050</td> </tr> </table>	angles	X ±3		XX ±10	0° ±2°	XXX ±050		title	0mm PLUG ASSY. 10 X 10 = 100 POSITION	
angles	X ±3																
	XX ±10																
0° ±2°	XXX ±050																
g				linear	MM												
					scale 1:1												
		dr	D.WAUGHEN	3-8-00					dwg no	sheet 3 of 3	size						
		engr	B.SPINK	3-8-00					84512	A4							
		chr	B.SPINK	3-8-00													
		appd	B.SPINK	3-8-00					type	CUSTOMER Drawing							
sheet index	revision sheet																