

PRODUCT No.	PICK-UP CAP	CONTACT PLATING	SOLDER BALL
55714-002	YES	15u" (.38um) Au OVER Ni	SnPb
55714-002LF			SnAgCu LEAD FREE ④⑤
55714-102	YES	30u" (.76um) Au OVER Ni	SnPb
55714-102LF			SnAgCu LEAD FREE ④⑤
55714-202	YES	SEE NOTE 3	SnPb
55714-202LF			SnAgCu LEAD FREE ④⑤

NOTES:

① MAT'L

HOUSING: LCP
CONTACT: COPPER ALLOY

PLATING

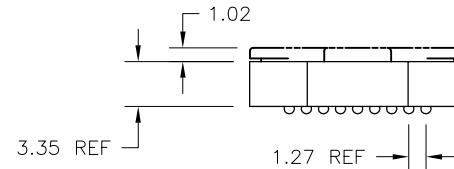
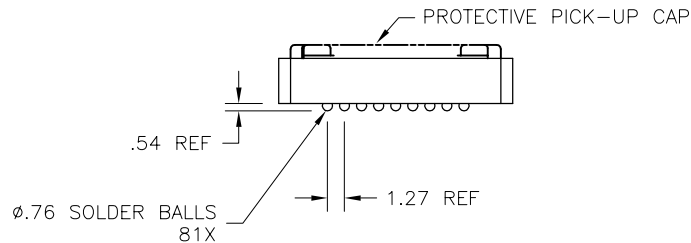
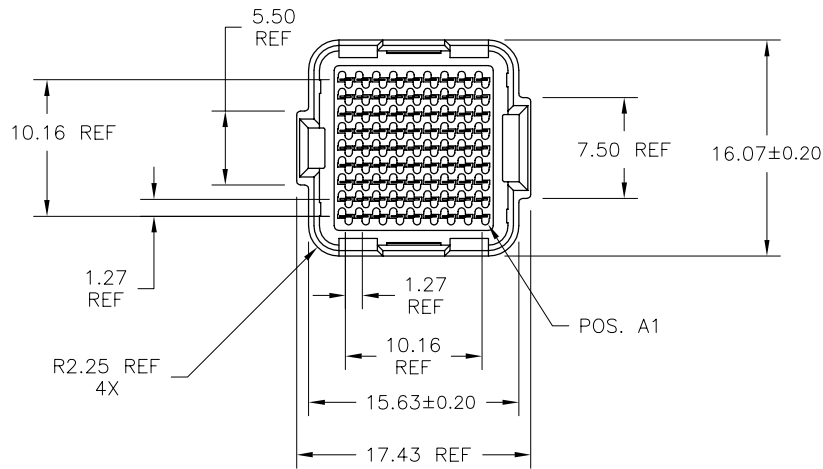
CONTACT: (SEE TABLE ON SHEET1)
SOLDER BALL: (SEE TABLE ON SHEET1)
EUTECTIC SnPb OR LEAD FREE
95.5Sn/4Ag/0.5Cu

2. OVERALL BOARD-TO-BOARD STACK HEIGHT WHEN MATED TO P/N 55715 81 POSITION 4.0mm RECPT. IS 4.0mm REF.

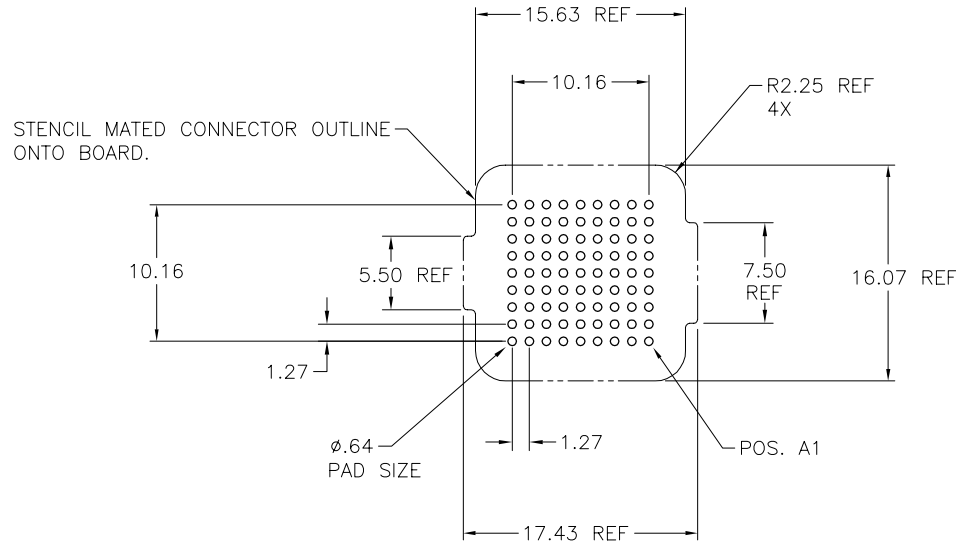
3. PLATING FOR -2XX SERIES DASH NOS. MEETS THE REQUIREMENTS OF NORTEL NPS25298-2 (CENTRAL OFFICE ENVIRONMENT, 25 YEAR LIFE EXPECTANCY).

④ FOR PROPER APPLICATION FOLLOW FCI APPLICATION SPECIFICATION GS-20-033 LEAD FREE SOLDER BALLS WILL NOT SOLDER PROPERLY IN A LEADED SOLDER PROCESS DUE TO A HIGHER REFLOW TEMPERATURE. LEAD FREE PRODUCT IS THEREFORE NOT BACKWARDS COMPATIBLE WITH LEADED OR SOME SOLDERING APPLICATIONS. REFERENCE FCI APPLICATION SPECIFICATION

⑤ THIS PRODUCT MEETS EUROPEAN UNION DIRECTIVES AND OTHER COUNTRY REGULATIONS AS DESCRIBED IN GS-22-008 PRODUCT MEETING THIS DIRECTIVE IS IDENTIFIED IN THE LOT CODE NUMBER MARKED ON EACH PART BY HAVING AN "X" IN THE SEVENTH CHARACTER POSITION



mat'l. code		surface		tolerance		projection		product family	
-		ASME Y14.5 ✓		ASME Y14.5				MEG-Array	
ltr	ec'n no	dr	date	tolerances unless otherwise specified					
A	v20800	DAI	4-24-02	angles	X *3		MM		title
B	v20949	DAI	8-15-02	flatness	XX *10		scale 1:1		
C	v03-0678	DAI	06/18/03	0° ±2'	XXX *050				0mm PLUG ASSY. 9X9 = 81 POSITION
D	v04-0940	VS	10/09/04	dr	D.WAUGHEN	4-9-01	FCI		
E	v06-0560	LP	2006/07/14	enrg	J.KONTOS	4-9-01	sheet 1 of 3		size
				chr	J.KONTOS	4-9-01	55714		
				appd	J.KONTOS	4-9-01	type		CUSTOMER Drawing
sheet index	revision sheet	E	E	E					
		1	2	3					



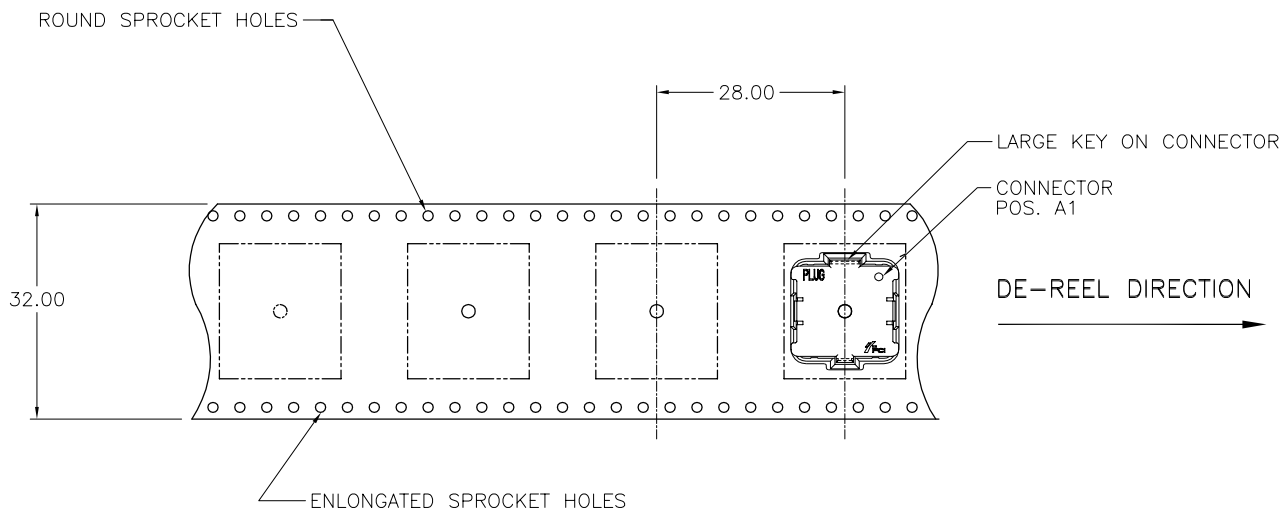
A

A

B

B

mat'l. code		-		surface		ASME Y14.5 ✓		tolerance		ASME Y14.5		projection		product family		MEG-Array		
ltr	ecn no	dr	date	tolerances unless otherwise specified										title				
E				angles	$\frac{1}{16}$	$\frac{1}{32}$	$\frac{1}{64}$	$\frac{1}{128}$	$\frac{1}{256}$	$\frac{1}{512}$	$\frac{1}{1024}$	$\frac{1}{2048}$			0mm PLUG ASSY. 9X9 = 81 POSITION			
				0° ±2'									scale	1:1	dwg no		sheet 2 of 3	size
				dr	D.WAUGHEN	4-9-01									55714		A4	
				enr	J.KONTOS	4-9-01									type		CUSTOMER Drawing	
				chr	J.KONTOS	4-9-01												
				appd	J.KONTOS	4-9-01												
sheet index	revision sheet																	



A

A

B

B

mat'l. code		-		surface		ASME Y14.5 ✓		tolerance		ASME Y14.5		projection		product family	
litr		ecn no		dr		date		tolerances unless otherwise specified				MM		MEG-Array	
E								angles		.X ±3				title 0mm PLUG ASSY. 9X9 = 81 POSITION	
								0° ±2'		.XX ±10					
										.XXX +050		scale 1:1			
				dr		D.WAUGHEN		4-9-01				FCJ		dwg no sheet 3 of 3 size	
				engr		J.KONTOS		4-9-01						55714 A4	
				chr		J.KONTOS		4-9-01						type CUSTOMER Drawing	
				appd		J.KONTOS		4-9-01							
sheet index		revision sheet													