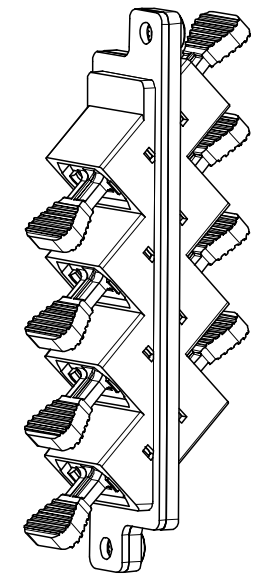
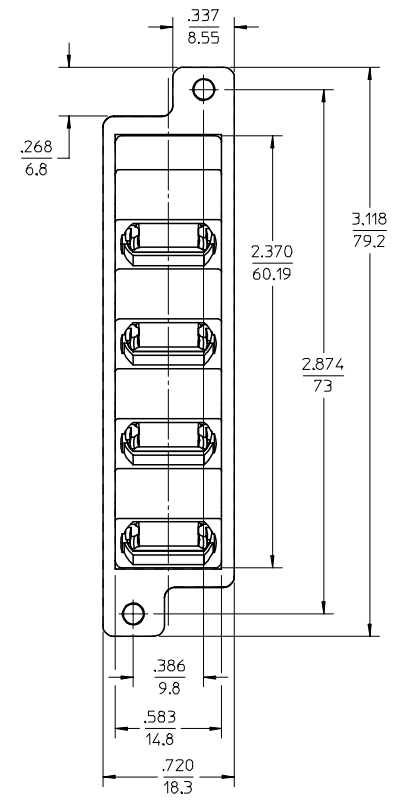
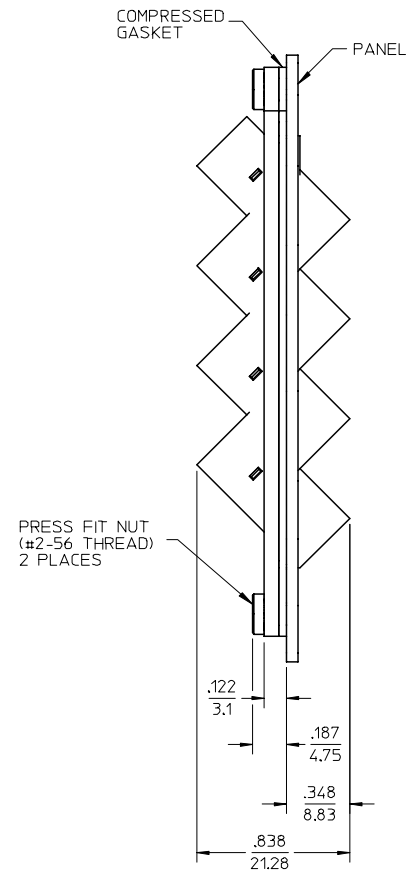


PANEL CUTOUT

- NOTES:
- PART IS SUPPLIED WITH PRESS FIT NUT (#2-56 THREADS) AND SILICONE GASKET WITH CONDUCTIVE FILLER (SHOWN COMPRESSED).
 - OUTER SHELL OF PART IS DIECAST.
 - DUST CAPS SHOWN IN ISOMETRIC VIEW ONLY.



ENTER DESCRIPTION EC NO: MF2006-0349 DRWN:PGIBLIN CHKD: APPR:IGUMIN	2005/12/02 2005/12/02 2005/12/02	DESCRIPTION REV	QUALITY SYMBOLS	GENERAL TOLERANCES (UNLESS SPECIFIED)	DIMENSION STYLE	SCALE	DESIGN UNITS	THIRD ANGLE PROJECTION
			$\nabla=0$ $\nabla=0$	mm INCH 4 PLACES ± --- ± --- 3 PLACES ± --- ± --- 2 PLACES ± 0.10 ± --- 1 PLACE ± 0.10 ± --- ANGULAR ±1/2°	INCH ONLY	1.5:1	INCH	TITLE MPO EMI ADAPTER QUAD, 45 DEGREE
				DRAWN BY: PGIBLIN DATE: 2005/11/17 CHECKED BY: DATE:			MOLEX INCORPORATED	
				APPROVED BY: DATE:	MATERIAL NO.: 1061143200 DOCUMENT NO.: SD-106114-3200	SHEET NO.: 1 OF 1		

THIS DRAWING CONTAINS INFORMATION THAT IS PROPRIETARY TO MOLEX INCORPORATED AND SHOULD NOT BE USED WITHOUT WRITTEN PERMISSION