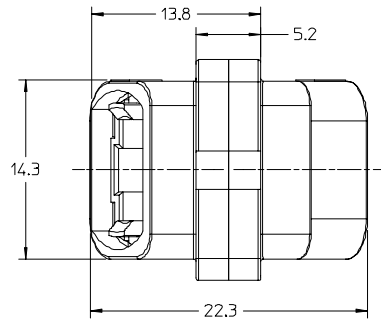
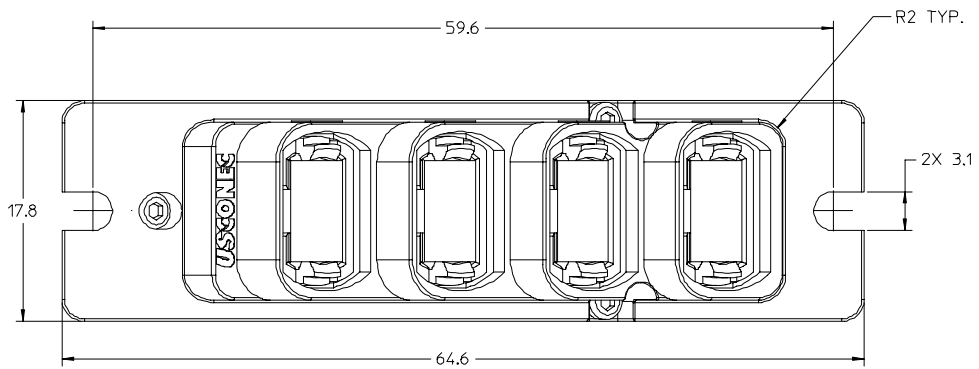
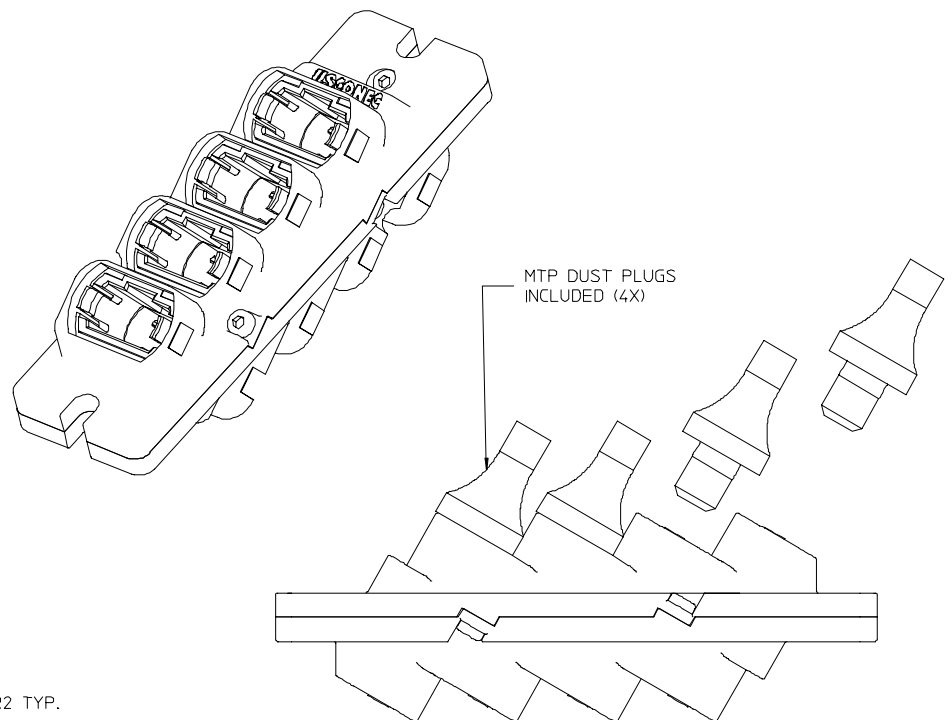
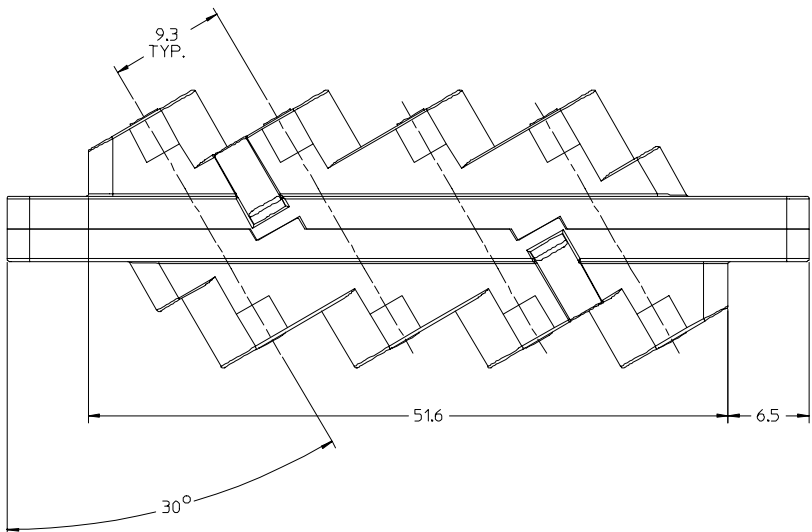


13 12 11 10 9 8 7 6 5 4 3 2 1

J
I
H
G
F
E
D
C
B
A

J
I
H
G
F
E
D
C
B
A



NOTE:
USE 3mm SCREWS AND NUTS FOR MOUNTING
(NOT PROVIDED).

ENTER DESCRIPTION FC NO: MF2008-0203 DRAWN: IGUMIN CHKD: APPR: IGUMIN REV: A	QUALITY SYMBOLS =0 =0	GENERAL TOLERANCES (UNLESS SPECIFIED)		DIMENSION STYLE MM ONLY		SCALE N.T.S.	DESIGN UNITS INCH	THIRD ANGLE PROJECTION			
		4 PLACES ± --- ± ---	3 PLACES ± --- ± ---	2 PLACES ± --- ± ---	1 PLACE ± --- ± ---	DRAWN BY IGUMIN	DATE 2007/11/09	TITLE MTP QUAD ADAPTER, 30 DEGREE			
		ANGULAR ±1/2°				APPROVED BY IGUMIN	DATE 2007/11/09	MOLEX INCORPORATED			
		DRAFT WHERE APPLICABLE MUST REMAIN WITHIN DIMENSIONS				MATERIAL NO. 1061810020	DOCUMENT NO. SD-106181-0020	SHEET NO. 1 OF 1			

12 11 10 9 8 7 6 5 4 3 2 1