

8 | 7 | 6 | 5 | 4 | 3 | 2 | 1

D

D

C

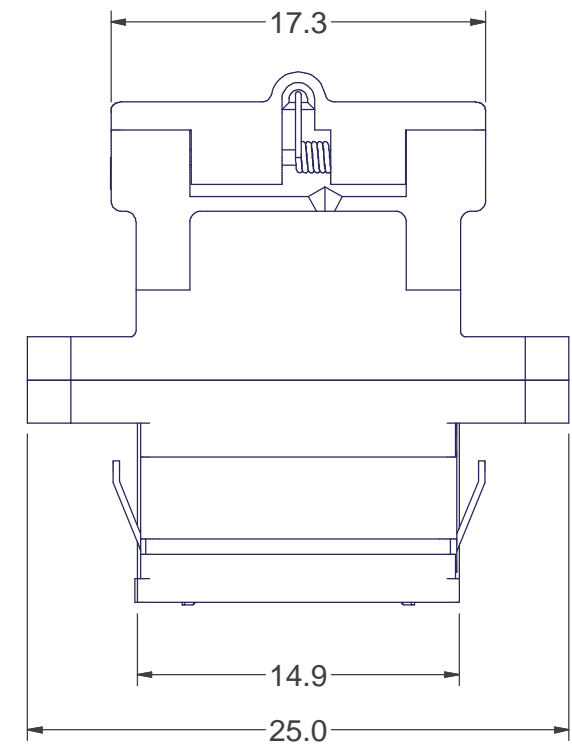
C

B

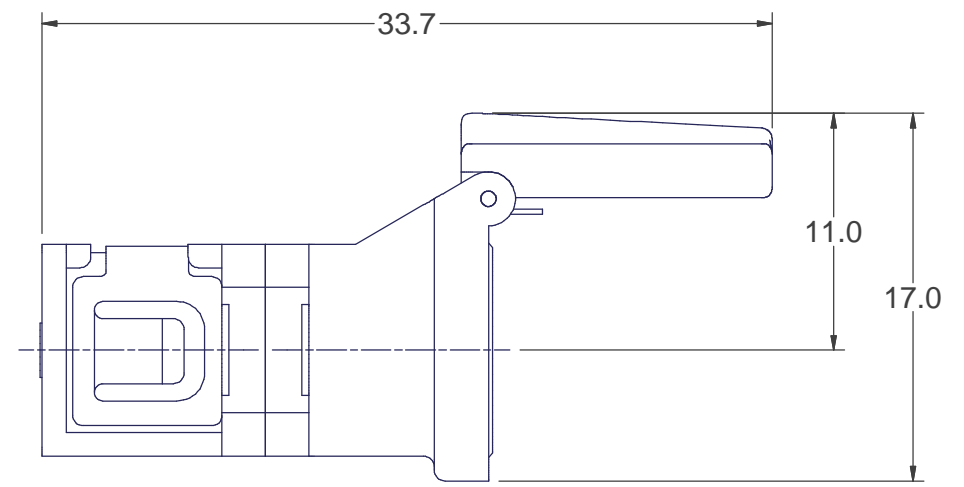
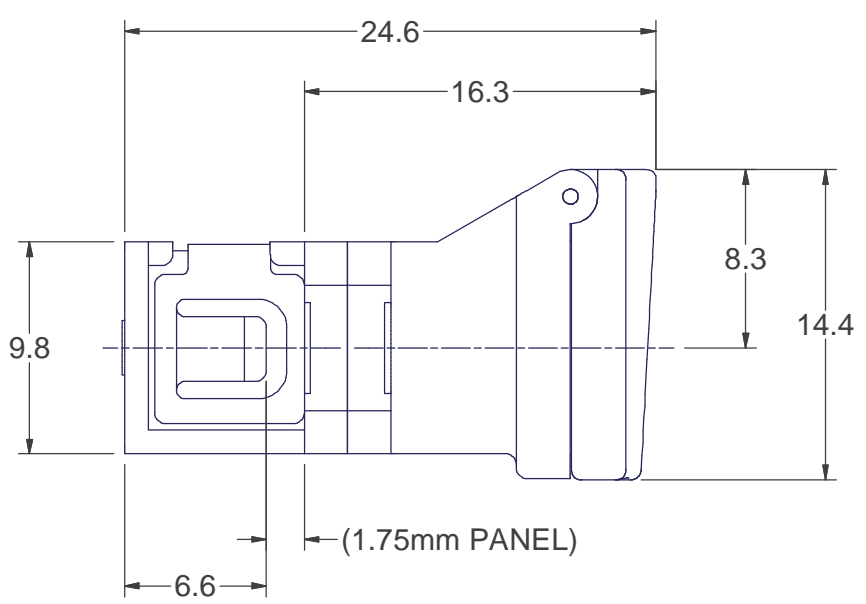
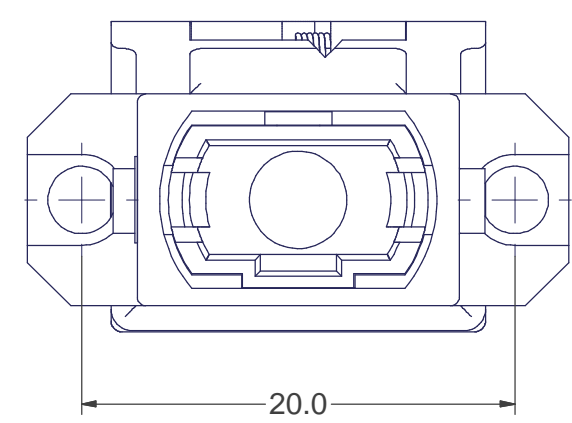
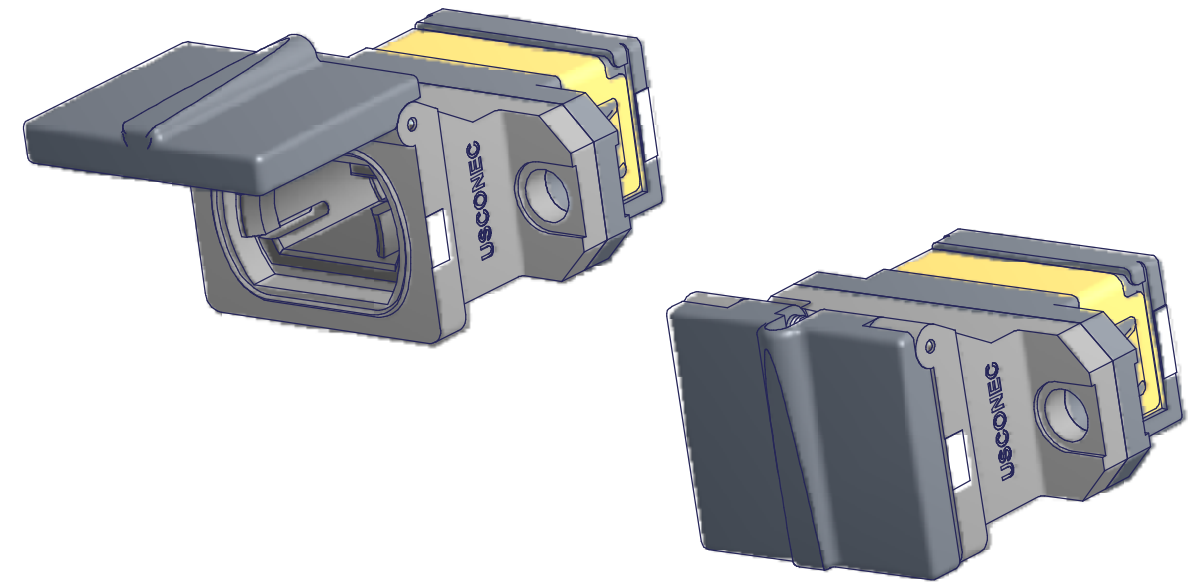
B

A

A



FEATURES
 1. MOUNTS IN 1.75mm BULKHEAD
 2. (OPTIONAL) USE 3mm SCREWS AND NUTS (NOT PROVIDED)



SHUTTER OPEN

▲ DENOTES CRITICAL DIMENSION.

P/N	STANDARDS REFERENCE	KEY STATUS	COLOR
8835	TIA-604-5 KEYING OPTION 1	OPPOSED KEYS	BLACK
9518	TIA-604-5 KEYING OPTION 2	ALIGNED KEYS	GREY

Material:

REV.	DATE	DESCRIPTION	ECN
A	9/7/07	INITIAL RELEASE	00958
B	2/12/08	ADDED WHITE MARK	00995

CUSTOMER DRAWING



Hickory, NC
 800-769-0944
www.usconec.com

DIMENSIONS FOR REFERENCE ONLY

THIRD ANGLE PROJECTION



METRIC/mm

TITLE
ASSY, ADAPTER, SHUTTERED, MTP

SIZE B	S&M Part No.: SEE TABLE	DWG NO. C8835	REV B
SCALE N.T.S.	Drafter M. YOUNT	Date: 6/8/2007	SHEET 1 OF 1

8 | 7 | 6 | 5 | 4 | 3 | 2 | 1