

Ruggedized Metal IEEE1101.10 Front Panels

For cPCI, VME64x, VXS and VXI



FEATURES

Ruggedized, all metal, COTS front panels

Conform to IEEE 1101.10 specifications for electrostatic discharge, keying, and hot swap

Designed specifically to withstand rugged applications

All metal construction offers significant improvement over plastic
No risk of out-gassing or burning in extreme environments

Optional Integral Printed Circuit Board Holders for Enhanced Performance

Triple E - Ruggedized Eurocard Packaging

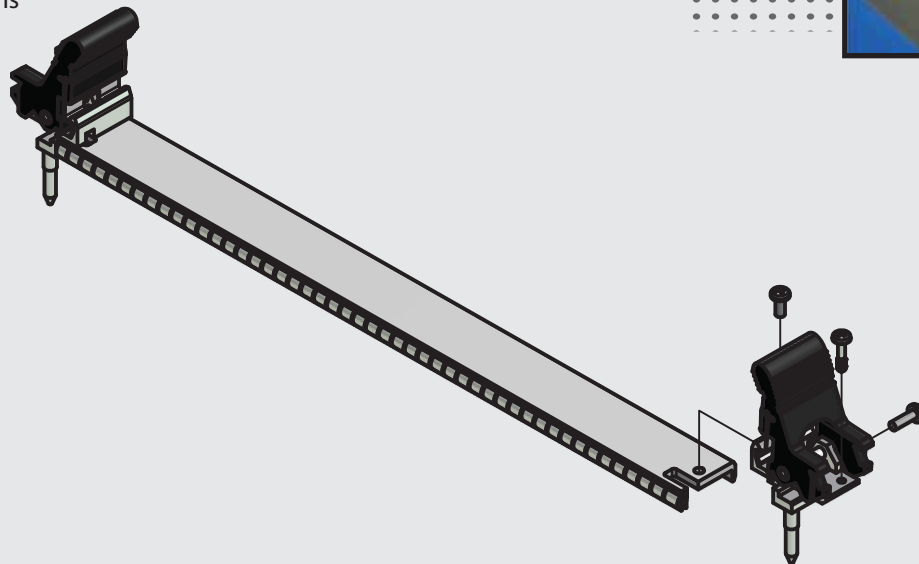
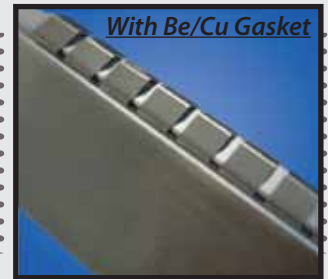


Shielded 1101.10 Panel

Standard Sizes: 3Ux4HP, 3Ux8HP, 6Ux4HP, and 6Ux8HP

Standard Panels come with Black Powder Coat DT Style Handles

Unique, robust design for rugged COTS cPCI, VPX, and VME64X applications



XTech can modify your front panel with finishes, cutouts, and labeling. Contact our Sales Department for more information on customizing your front panels.



Powder Coating



Cutouts



Silkscreening

Contact our Sales Department by phone at 1-888-444-1644 or by email at tripleesales@xtech-outside.com



