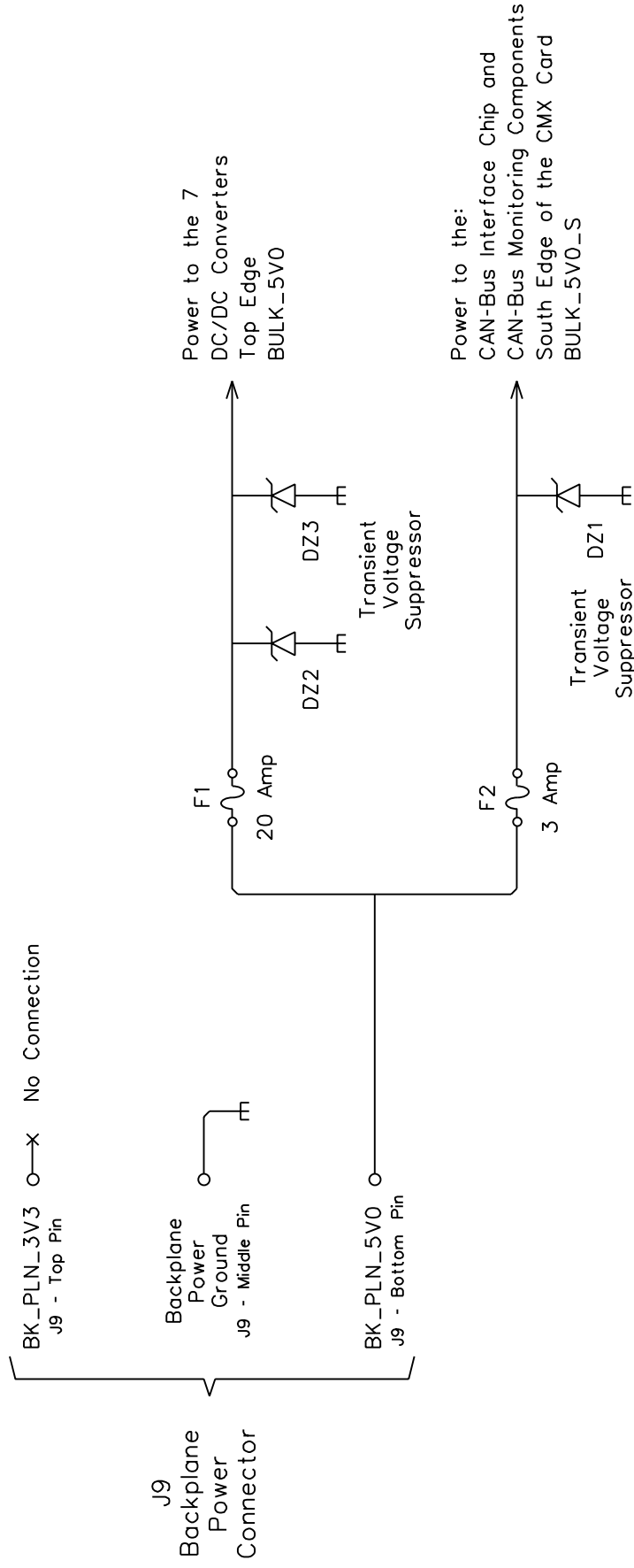


5 Volt Power Entry and Distribution



Note: On board SMD fuse F3 is mounted near the bottom front panel connector J12. It is in the JTAG Pod power circuit.