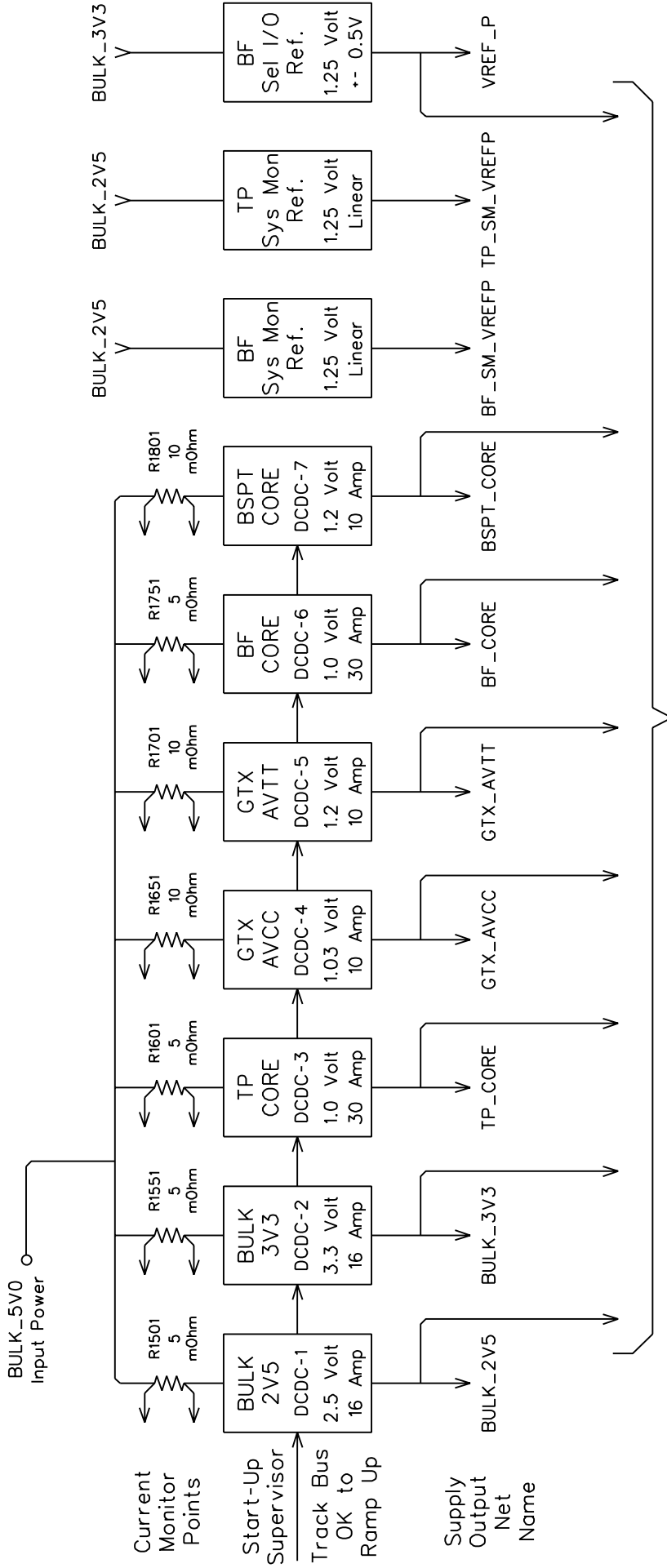


CMX On Card Power Supplies



Voltage Monitor Points to BF System Monitor, CAN-Bus Monitor, Hi/Low Supervisor, and Monitor Header J13