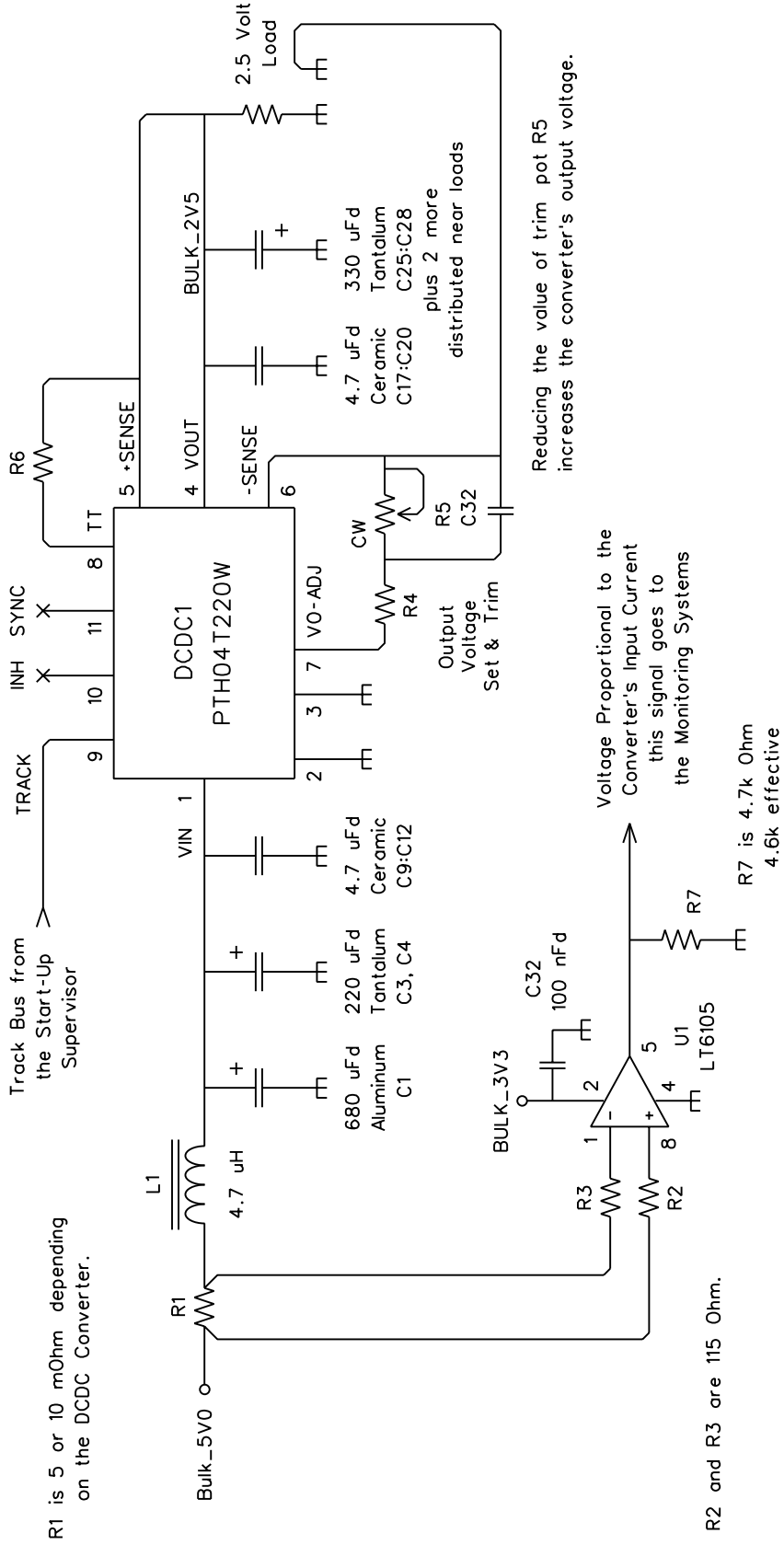


# DC-DC Converter Design



The BULK\_2V5 DC/DC Converter is shown. The other 6 converters are similar in design. Actual reference designators are larger by 1500. Reference designators increment by 50 from one converter to the next.

The TP\_CORE converter includes disable jumpers. The GTX\_AVCC and GTX\_AVTT converters include separate LC output filters for both their BF and TP loads.