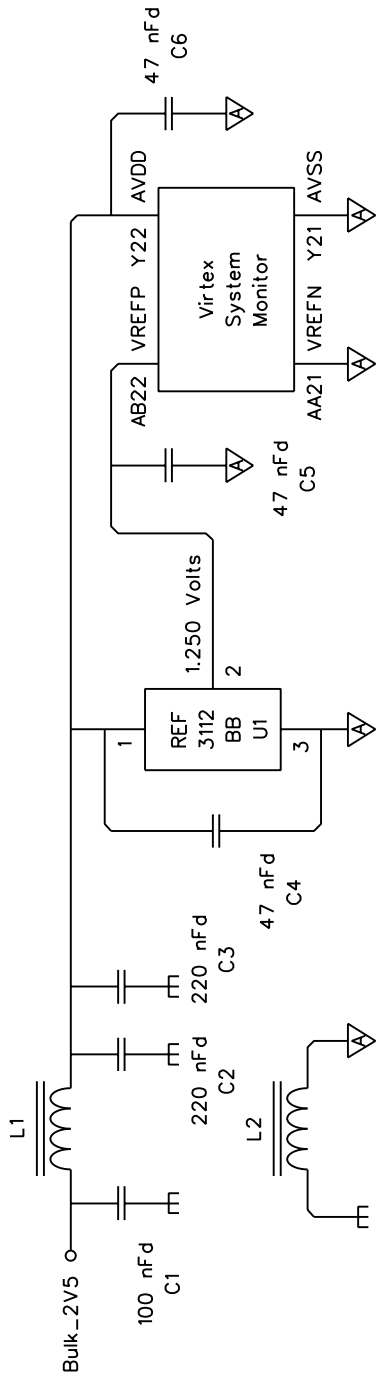


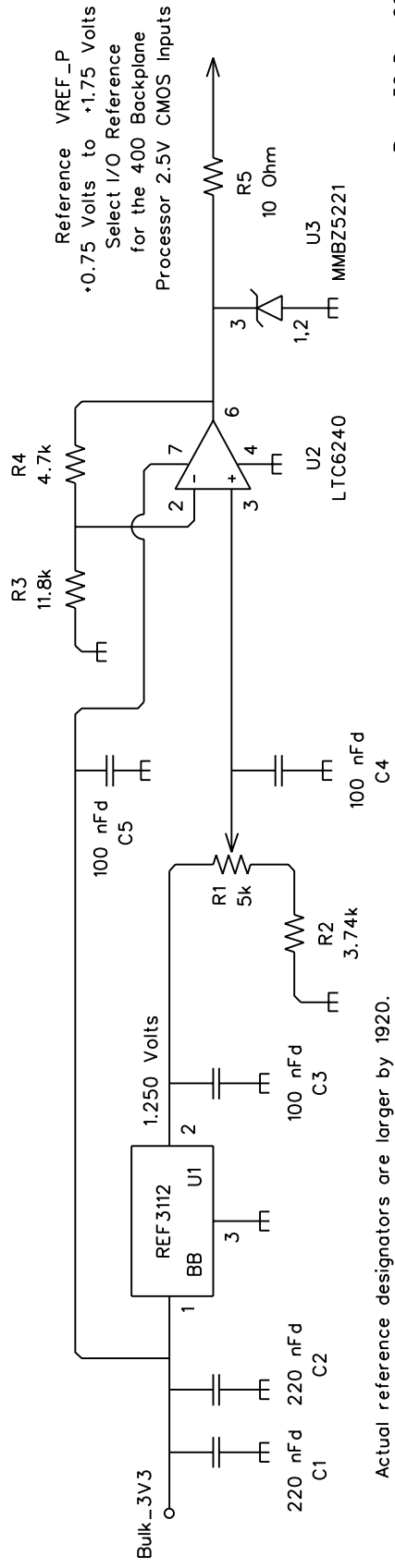
# CMX Reference Supplies

## BF and TP Virtex System Monitor References



The BF System Monitor Reference is shown. The TP reference design is the same. Actual reference designators are larger by 1900. TP reference designators increment by 10.

## BF Select I/O Variable Reference for Backplane Signals



Actual reference designators are larger by 1920.