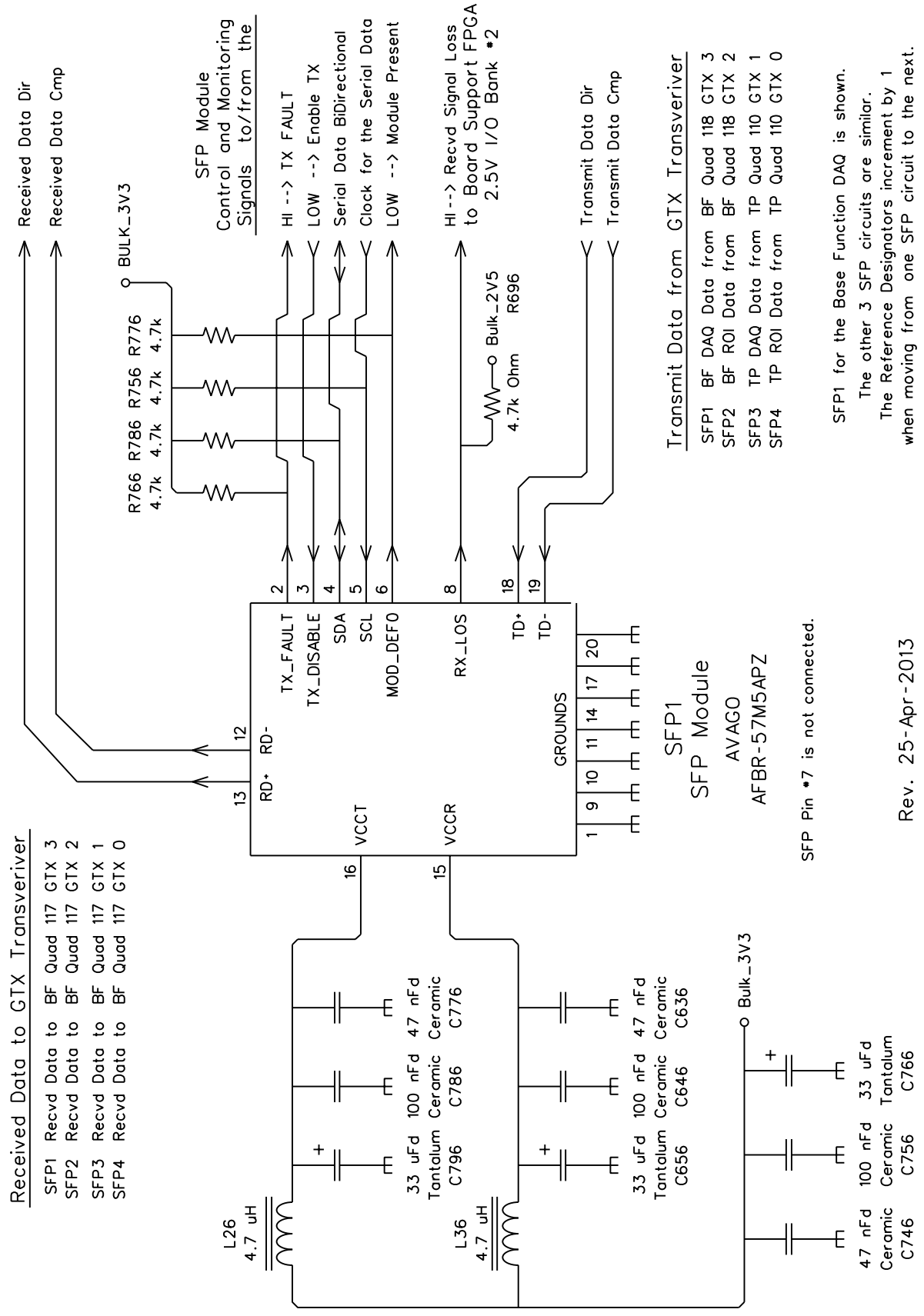


# SFP Low-Speed Optical Transceivers



SFP Pin #7 is not connected.

SFP1 for the Base Function DAQ is shown.  
The other 3 SFP circuits are similar.  
The Reference Designators increment by 1 when moving from one SFP circuit to the next.

Rev. 25-Apr-2013