

System-ACE Connections

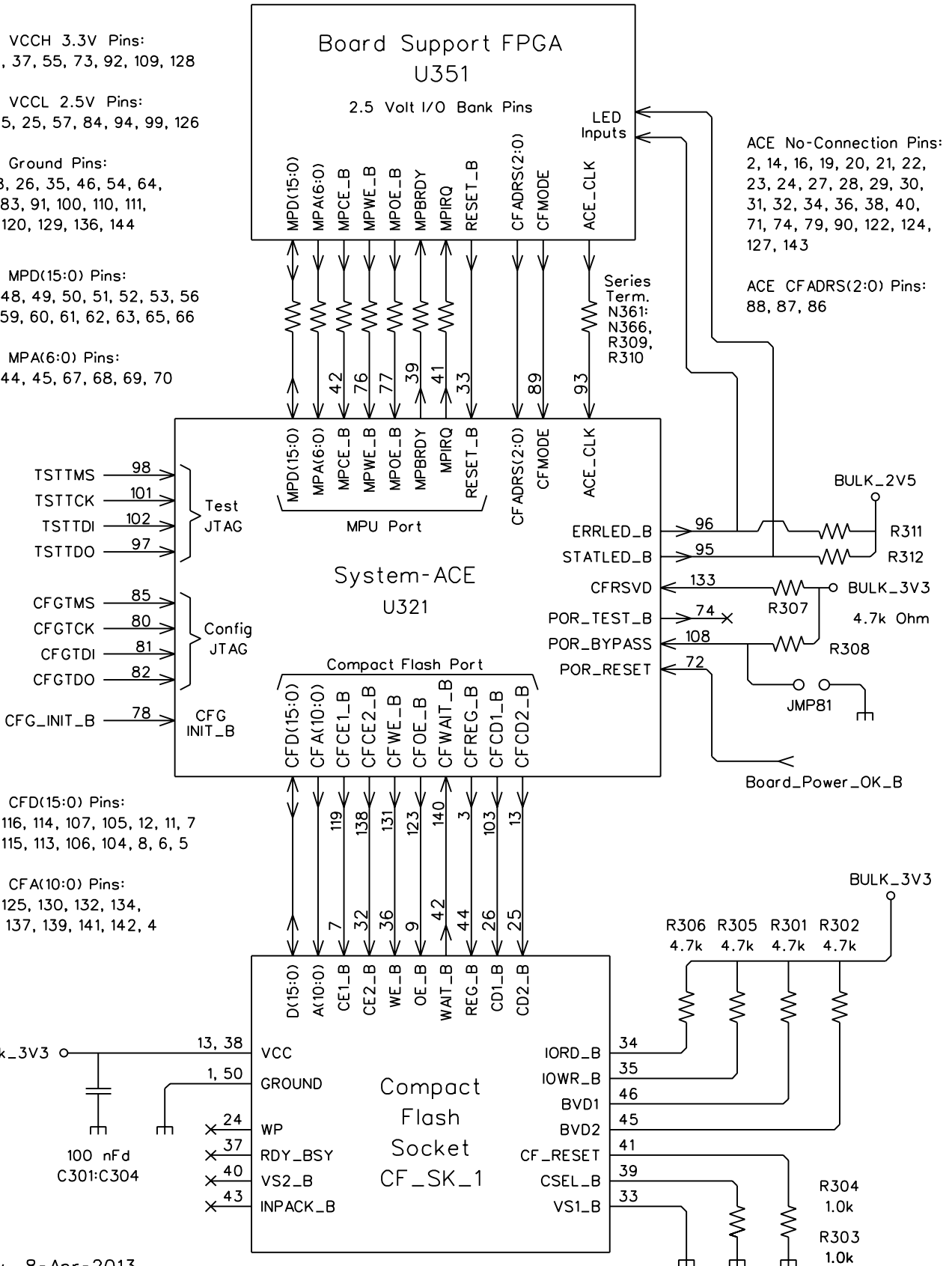
ACE VCCH 3.3V Pins:
1, 17, 37, 55, 73, 92, 109, 128

ACE VCCL 2.5V Pins:
10, 15, 25, 57, 84, 94, 99, 126

ACE Ground Pins:
9, 18, 26, 35, 46, 54, 64,
75, 83, 91, 100, 110, 111,
112, 120, 129, 136, 144

ACE MPD(15:0) Pins:
47, 48, 49, 50, 51, 52, 53, 56
58, 59, 60, 61, 62, 63, 65, 66

ACE MPA(6:0) Pins:
43, 44, 45, 67, 68, 69, 70



ACE CFD(15:0) Pins:
118, 116, 114, 107, 105, 12, 11, 7
117, 115, 113, 106, 104, 8, 6, 5

ACE CFA(10:0) Pins:
121, 125, 130, 132, 134,
135, 137, 139, 141, 142, 4