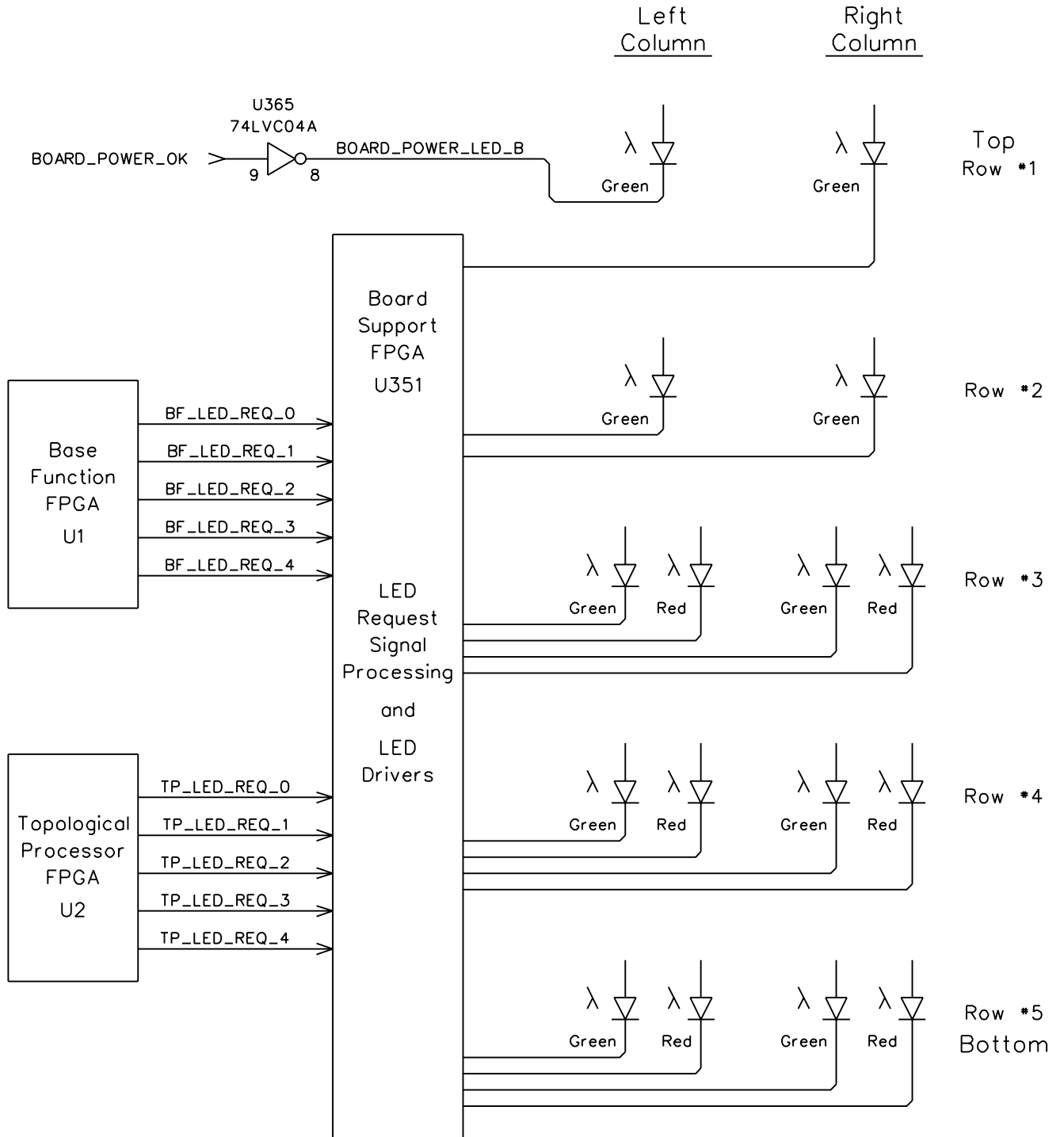


# Front Panel Dual-LEDs



All LED Anodes are connected to BULK\_3V3 through 680 Ohm Resistors.

Rev. 26-Jan-2015