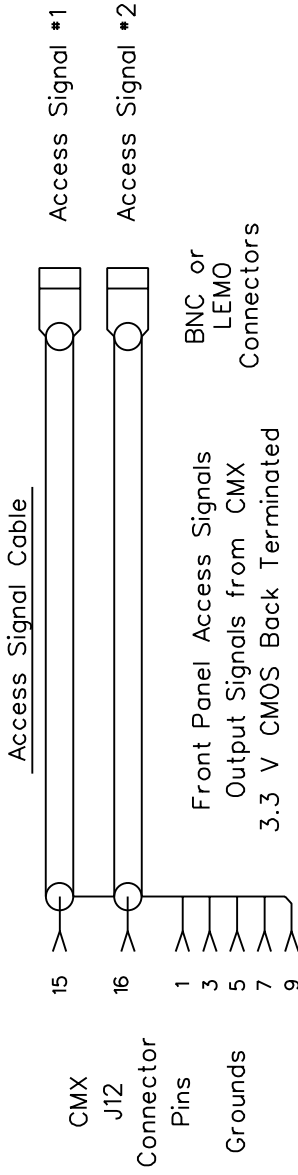
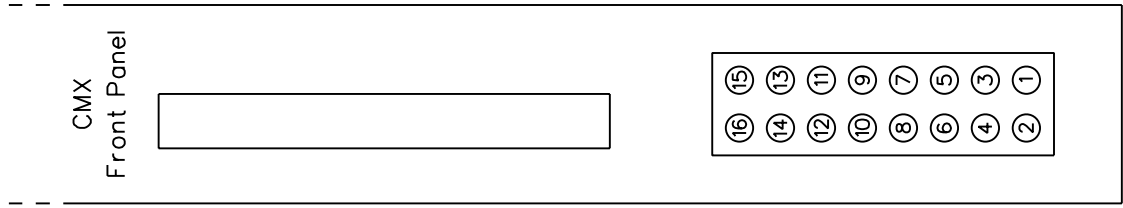


# Front Panel J12 Connector and Cables



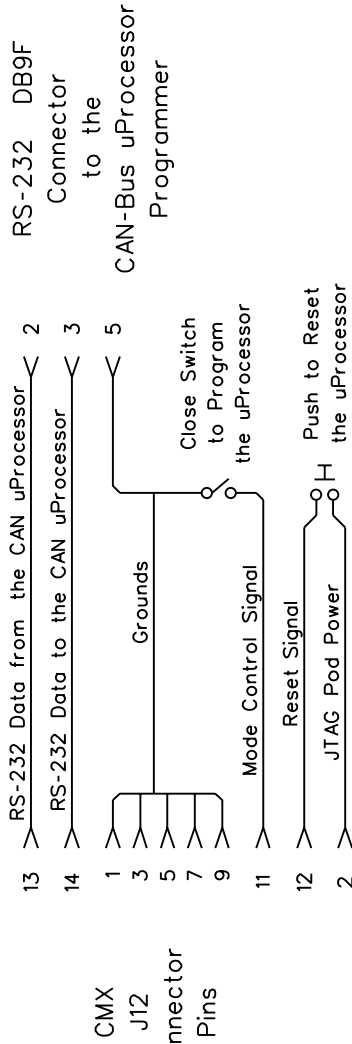
Compact Flash Memory Socket

Lower Section of the CMX Front Panel

J12 Connector

Access Signals, CAN-Bus uProc Programming, and JTAG

## CAN-Bus uProcessor Programming Cable



## JTAG Pod Twisted-Pair Cable

