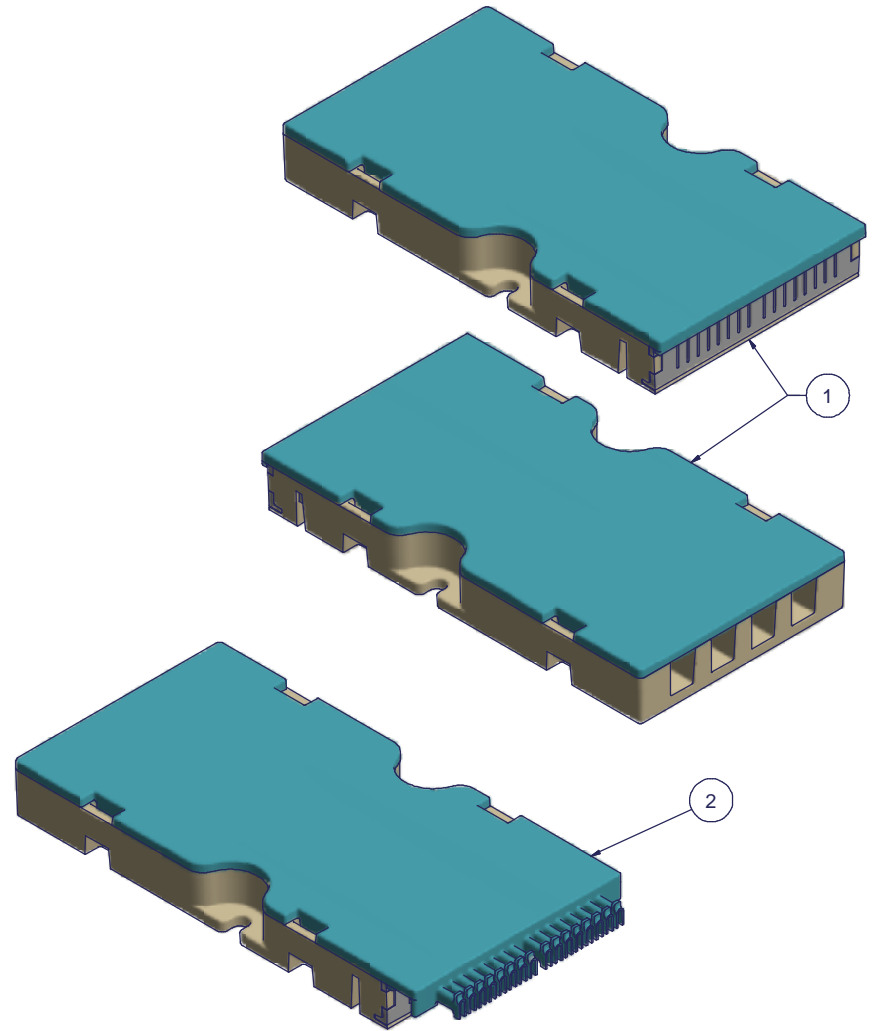
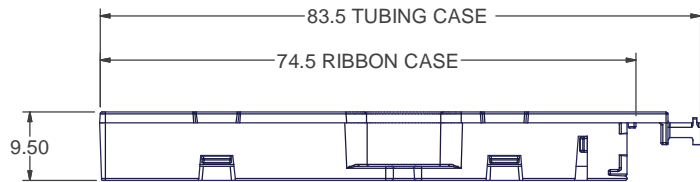
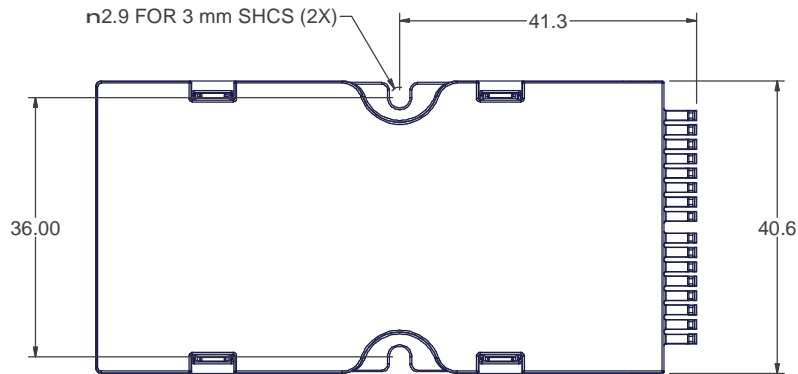


6	5	
P/N	DESCRIPTION	
18872	CASE FOR RIBBON	
18913	CASE FOR ROUND TUBING	



**PRELIMINARY**

▲ DENOTES CRITICAL DIMENSION

USCONEC LTD. PROPRIETARY THIS DOCUMENT AND THE ASSOCIATED DATA CONTAIN RESTRICTED INFORMATION THAT IS USCONEC LTD. PROPERTY. DISCLOSE OR DUPLICATE FOR OTHERS ONLY AS AUTHORIZED BY USCONEC LTD.			<b>CUSTOMER DRAWING</b> DIMENSIONS FOR REFERENCE ONLY				Hickory, NC 800-769-0944 <a href="http://www.usconec.com">www.usconec.com</a>	
<b>Material:</b>			THIRD ANGLE PROJECTION 		<b>TITLE</b> CASE, SHUFFLE			
REV	DATE	DESCRIPTION	ECN	SIZE		S&M Part No.:	DWG NO.	REV
X1	X/XX/17		XXXX-xx	A3		SEE TABLE	C18872	X1
			SCALE		Drafter	Date:	SHEET	OF
			N.T.S.		craigconrad	4/19/2017	1	1
			METRIC/mm					