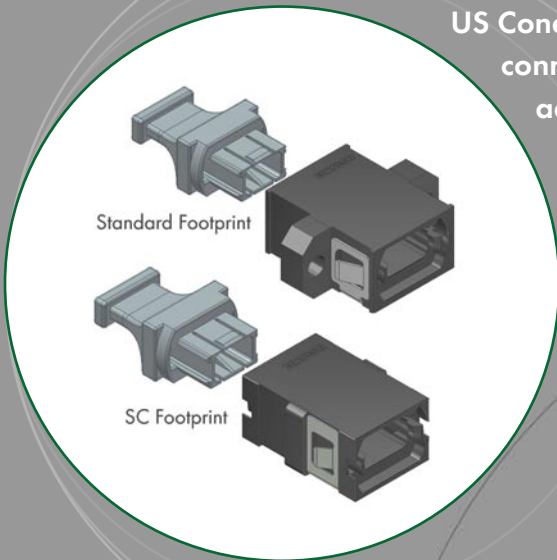


US Conec manufactures durable MTP® brand adapters that provide quick connection for up to 72 optical fibers. Connection integrity is provided by adapter latches which are locked into place by a spring loaded sliding mechanism on the MTP® brand connector plug. Precision Alignment is achieved with patented MTP brand connector guide pins combined with the tightly controlled guide pin holes on US Conec's MT ferrules. Numerous single port and ganged configurations are available to satisfy a variety of applications. US Conec's MTP brand adapters are fully compliant with IEC Standard 61754-7 and TIA 604-5 – Type MPO.



Features

- One piece adapter design maximizes coupling strength while minimizing debris generation
- All adapters compatible with MTP Elite® brand connectors and standard grade MTP® brand connectors
- Available in black, aqua, beige, green, blue and gray
- Supplied with either one or two thermoplastic non-debris generating dust plugs
- Compatible with all US Conec MTP® brand connectors in fiber counts ranging from 4 to 72
- Optimal coarse alignment to minimize pin to ferrule debris generation

Applications & Standards

- Array trunk cabling
- Array fiber to single fiber cassettes
- High fiber density card edge access
- Optical switching interframe connections
- Meets IEC Standard 61754-7
- Meets TIA/EIA 604-5 Type MPO
- Structured cabling per TIA-568-C
- Parallel Optics
 - Optical Internetworking Forum (OIF) Compliant
 - Infiniband Compliant
 - 10G Fiber Channel Compliant
 - 40G and 100G IEEE 802.3
 - SNAP 12
 - POP 4
 - QSFP

Ordering Information

Standard Footprint Adapter

Part Number (with 1 dust plug)	Part Number (with 2 dust plugs)	Flange Type	Color	Key Orientation
MTP-ADPT	MTP-ADPT-2	Full Flange	Black	Opposed
6496	9220	Full Flange	Beige	Opposed
7868	8852	Full Flange	Green	Opposed
7869	9218	Full Flange	Aqua	Opposed
6531	9135	Full Flange	Blue	Opposed
5306	12196	Full Flange	Gray	Aligned
MTP-RF-ADPT	12075	Reduced Flange	Black	Opposed
12197	12202	Reduced Flange	Beige	Opposed
12198	12203	Reduced Flange	Green	Opposed
9574	12204	Reduced Flange	Aqua	Opposed
12200	12205	Reduced Flange	Blue	Opposed
12035	12206	Reduced Flange	Gray	Aligned

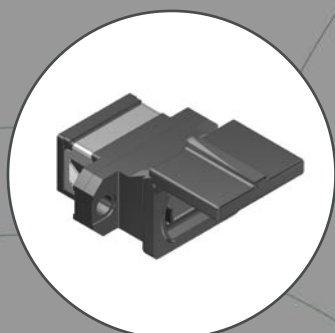
SC Footprint Adapter

Part Number (with 1 dust plug)	Part Number (with 2 dust plugs)	Flange Type	Color	Key Orientation
12036	12216	Full Flange	Black	Opposed
12212	12217	Full Flange	Beige	Opposed
12213	12218	Full Flange	Green	Opposed
12214	12219	Full Flange	Aqua	Opposed
12215	12220	Full Flange	Blue	Opposed
12037	12221	Full Flange	Gray	Aligned
12041	12226	Reduced Flange	Black	Opposed
12222	12227	Reduced Flange	Beige	Opposed
12223	12228	Reduced Flange	Green	Opposed
12224	12229	Reduced Flange	Aqua	Opposed
12225	12230	Reduced Flange	Blue	Opposed
12042	12231	Reduced Flange	Gray	Aligned

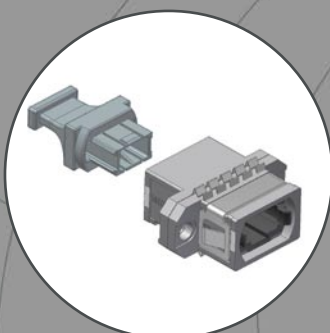
Specialty Adapters

Part Number	Description	Color	Key Orientation
8835	Shuttered Adapter	Black	Opposed
9518	Shuttered Adapter	Gray	Aligned
12431	Shuttered Adapter	Aqua	Opposed
5702	EMI Adapter, Full Flange	Silver	Aligned
6156	EMI Adapter, Reduced Flange	Silver	Aligned
9578	Ganged 1 x 4 Straight Adapter	Black	Opposed
12697	Ganged 1 x 6 Straight Adapter	Black	Opposed
12698	Ganged 2 x 8 Straight Adapter	Black	Opposed
12308	Ganged 1 x 2 Angled Adapter	Black	Opposed
9299	Ganged 1 x 4 Angled Adapter	Black	Opposed

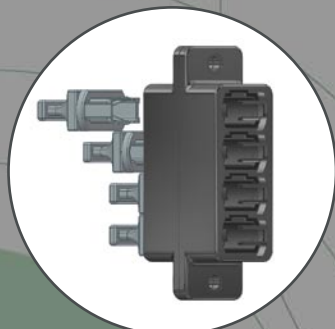
* Custom Adapter configurations are available



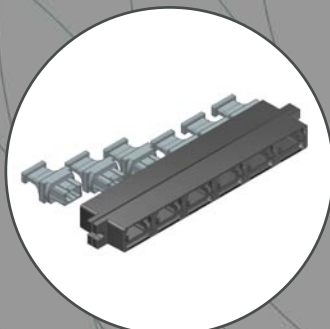
Shuttered Adapter



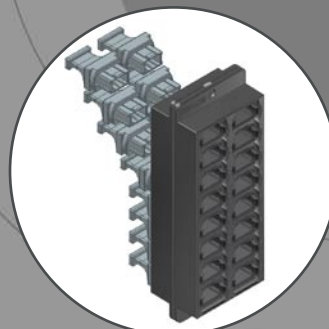
EMI Adapter



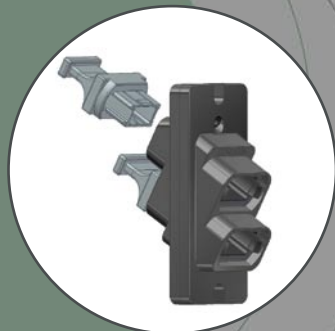
Ganged 1x4 Straight Adapter



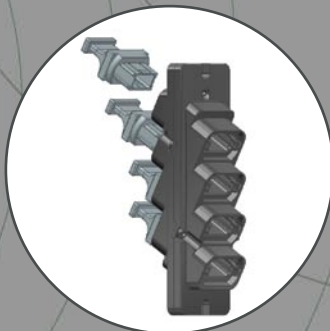
Ganged 1x6 Straight Adapter



Ganged 2x8 Straight Adapter



Ganged 1x2 Angled Adapter



Ganged 1x4 Angled Adapter

For additional information about MTP® Brand Bulkhead Adapters, please contact Customer Service at 828-323-8883 or visit our web site at www.usconec.com

MTP®, MTP Elite®, Conec®, MT Elite®, IBC™, Slimfan™ and Durofan™ are trademarks or registered trademarks of US Conec Ltd.

OptiTap® is a registered trademark of Corning Cable Systems

© 2010 US Conec Ltd. Rev_2

All Rights Reserved.

US CONEC

1555 4th Ave. SE

PO Box 2306

Hickory, NC 28603-2306 USA

(828) 323-8883 or 1-800-769-0944

FAX: (828) 326-8808

www.usconec.com