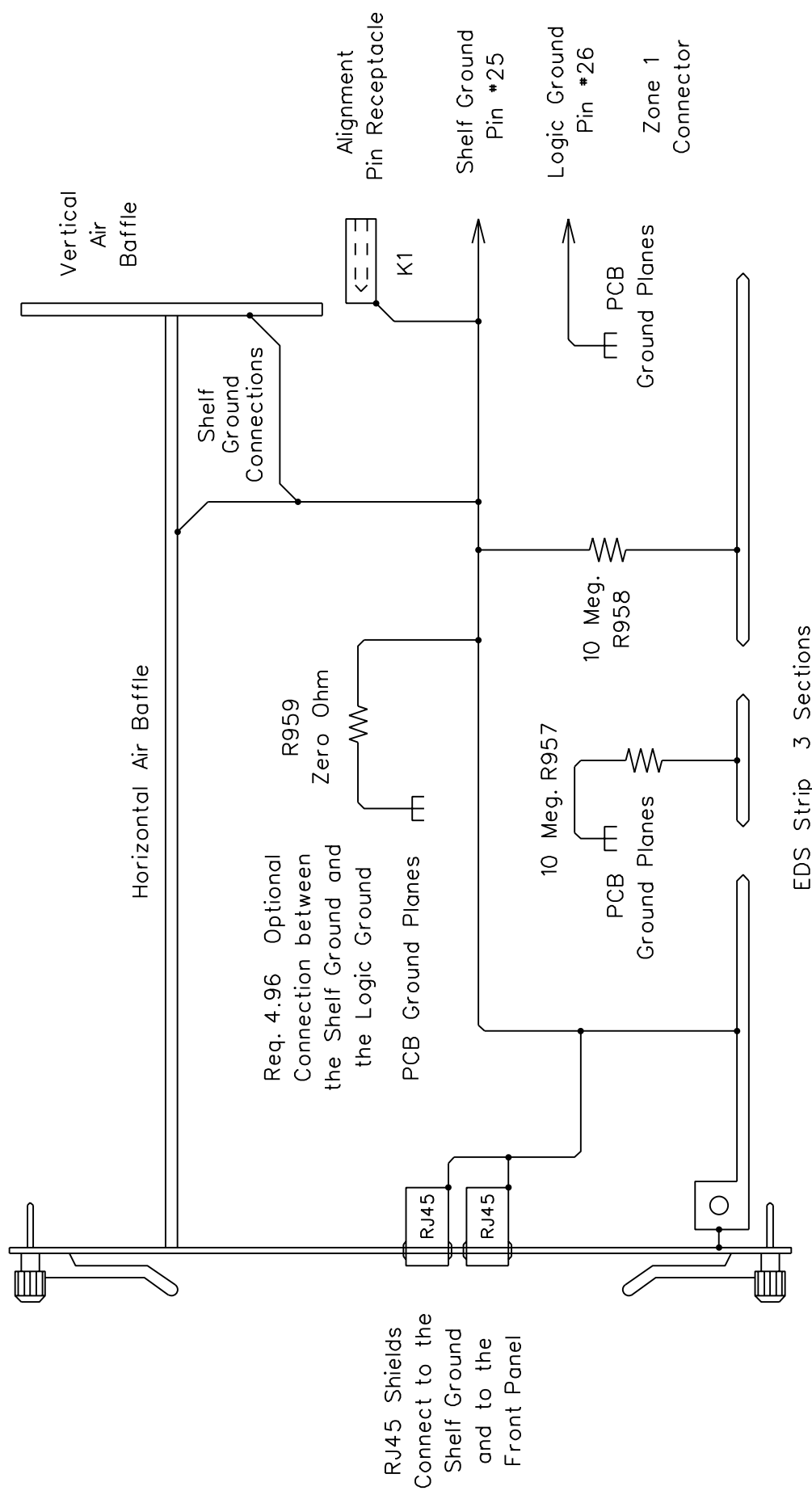


HTM Card - Logic & Shelf Ground Connections



The Front Panel Connects to the Front Section of the EDS Strip and thus to the Shelf Ground