

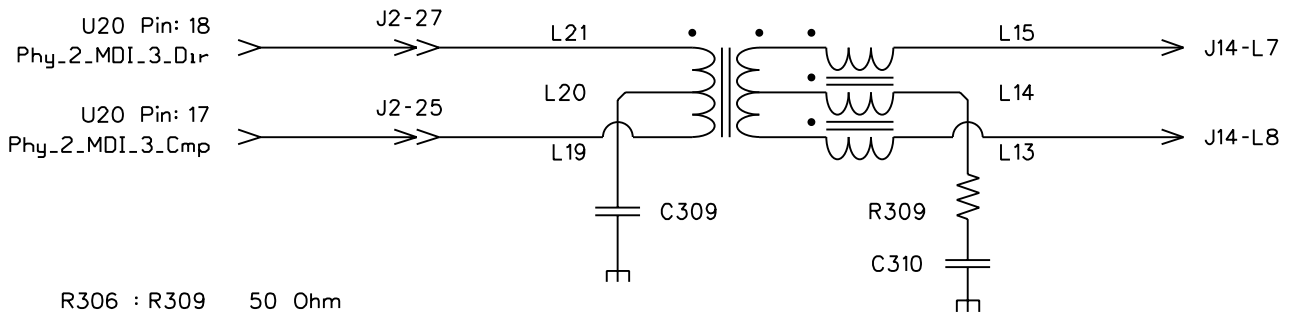
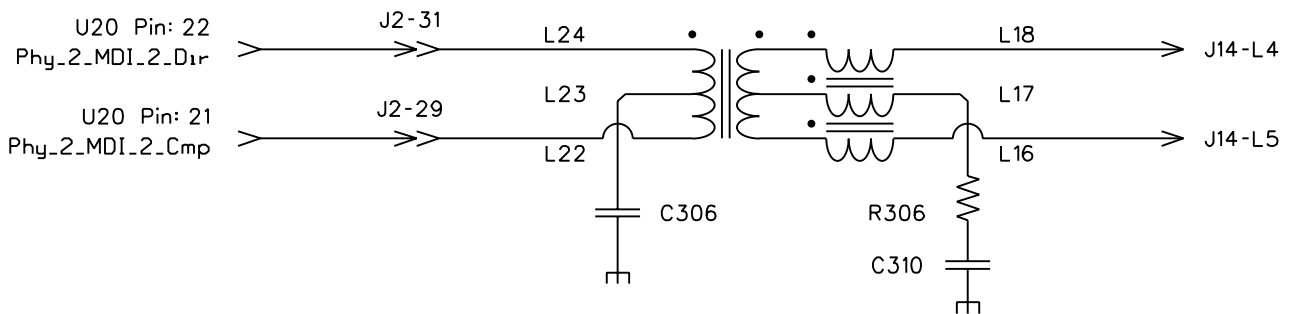
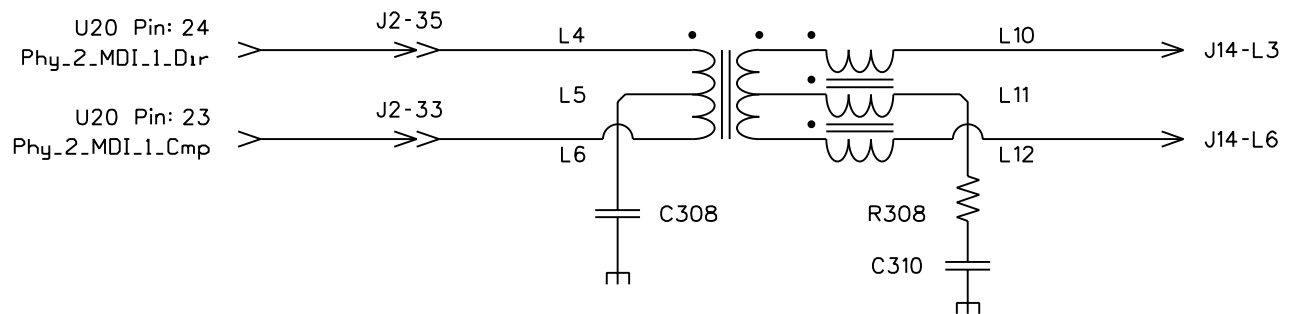
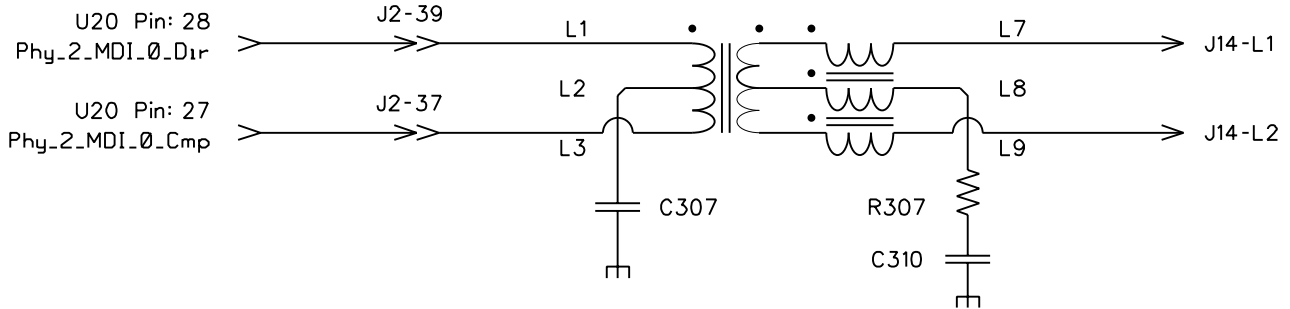
# HTM Card FPGA Logic Ethernet

FPGA Mezz.  
U20 PHY #2  
Connection

Mezzanine  
Connector

TRANS1 Left

HTM Card J14  
Left Front Panel  
RJ45 Connector



R306 : R309    50 Ohm  
C306 : C309    100 nFd  
C310            1 nFd

Magnetics  
Pulse HX5201NL

HTM Drw: 21  
Rev. 13-June-2018