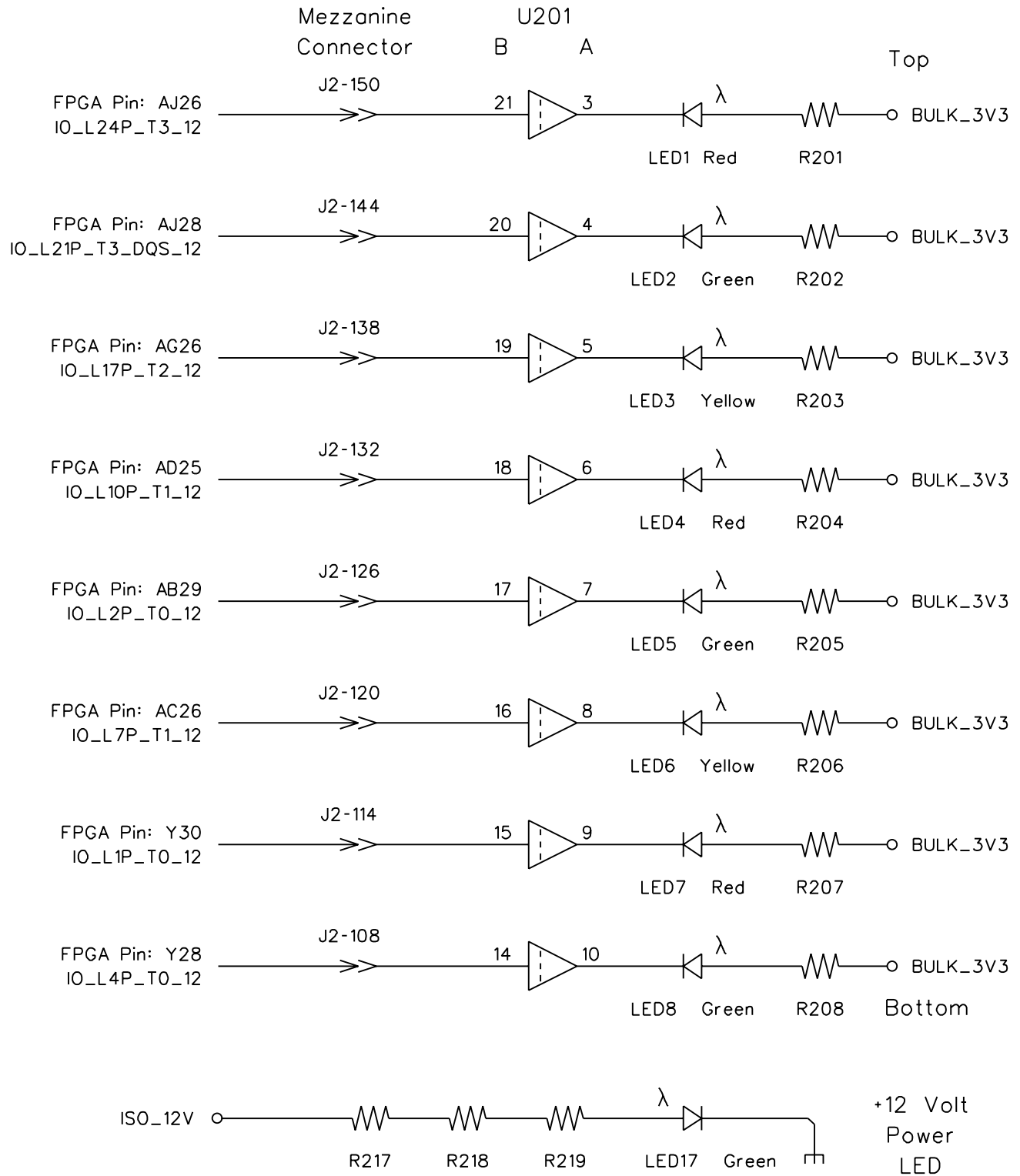


HTM Card - Front Panel 9x LEDs



R201 : R208 240 Ohm
 R217 : R219 1k Ohm

U201 74AVCH8T245
 VCCA: 1 = 3V3
 VCCB: 23, 24 = 3V3

DIR: 2 = GND --> B to A
 OE_B: 22 = GND --> Outputs Enabled
 GNDs: 11, 12, 13 = GND

HTM Drw. 7
 Rev. 22-May-2018