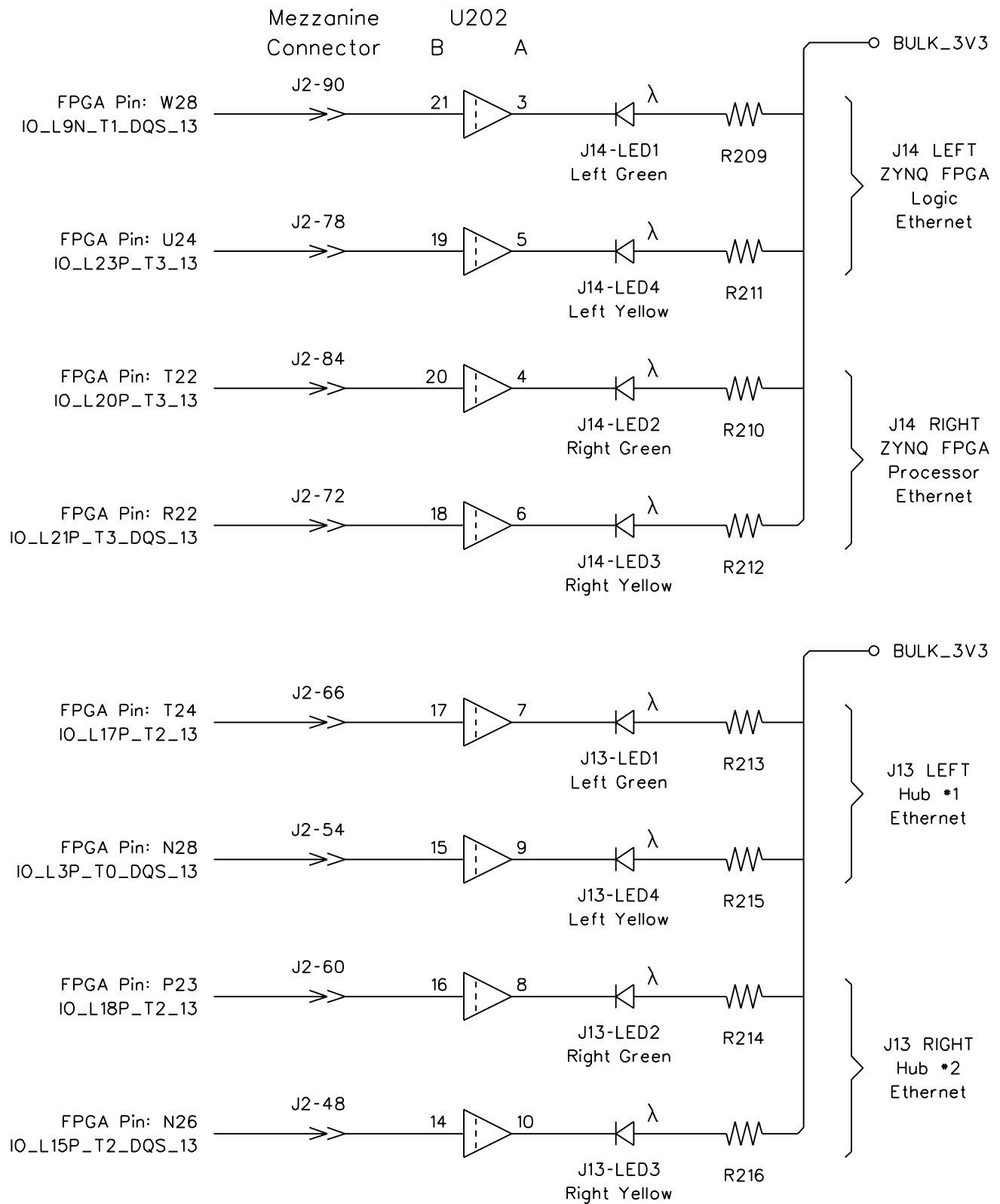


# HTM Card - Front Panel RJ45 LEDs



R209 : R216 240 Ohm

U202 74AVCH8T245

DIR: 2 = GND --> B to A

HTM Drw. 8

VCCA: 1 = 3V3

OE\_B: 22 = GND --> Outputs Enabled

Rev. 22-May-2018

VCCB: 23, 24 = 3V3

GNDs: 11, 12, 13 = GND