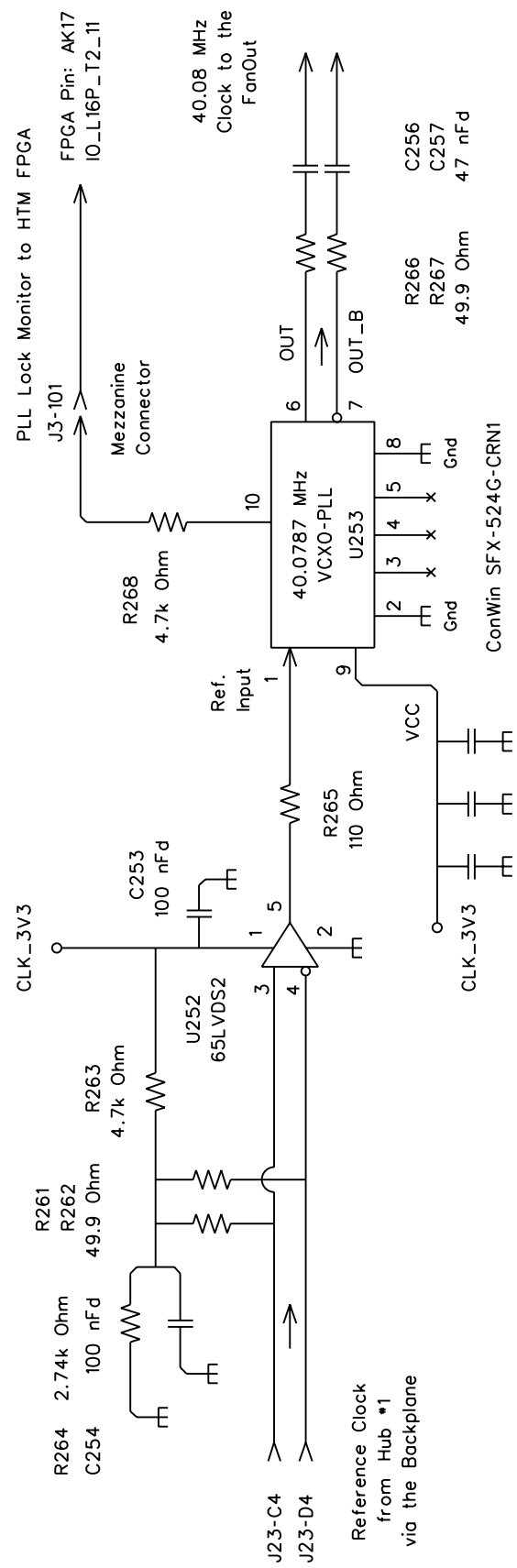


HTM Card - Clock Generation - Hub Input



- C258 10 uF
- C259 220 nF
- C260 47 nF
- ConWin SFX-524G-CRN1
- Reset Pin #3 - Open
- No Connect Pins #4 and #5
- LVPECL outputs have internal pull-down.

