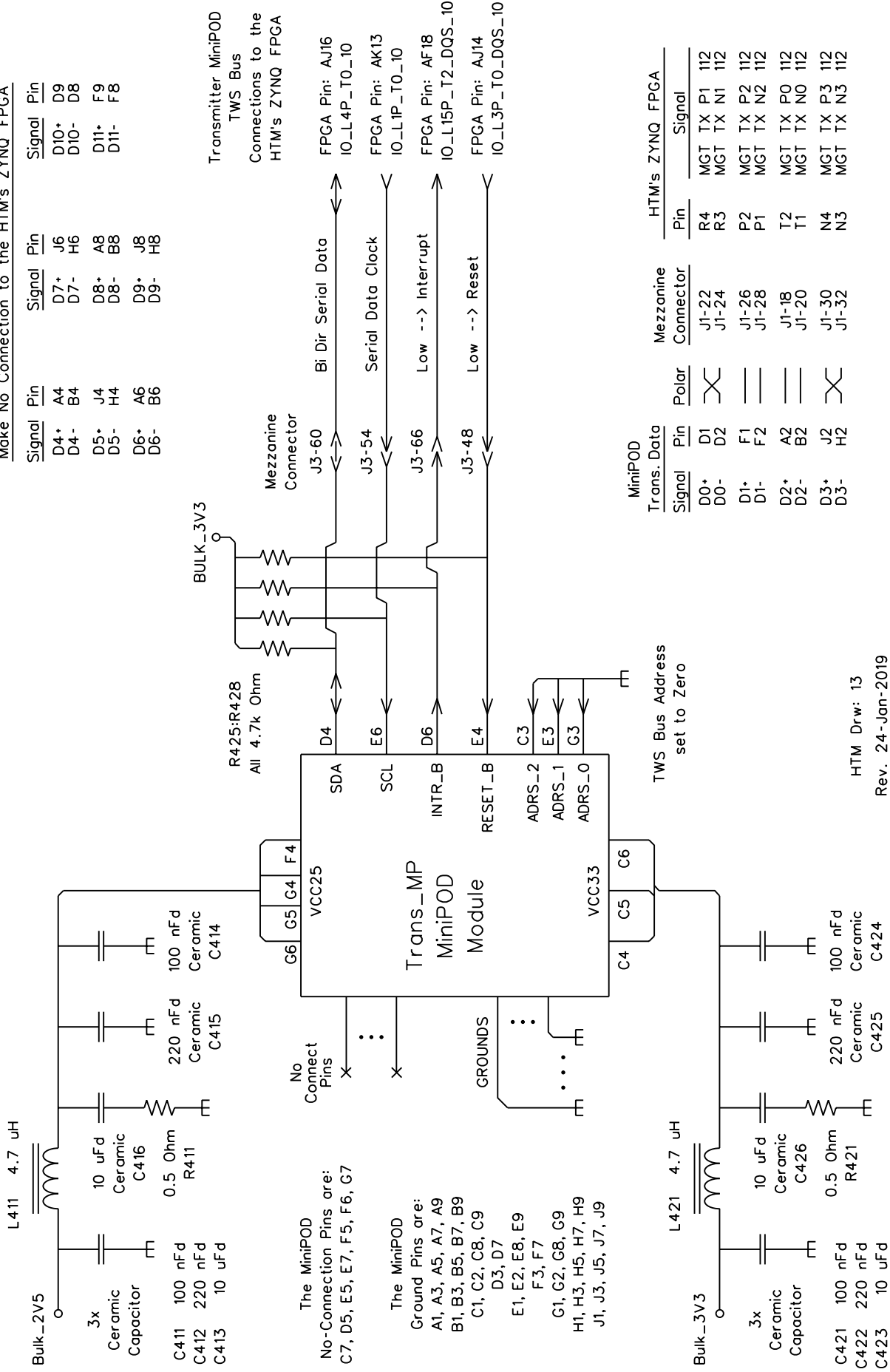


# HTM Transmitter MiniPOD

The Following 8 Transmitter MiniPOD Fibers  
Make No Connection to the HTM's ZYNQ FPGA

Signal	Pin	Signal	Pin	Signal	Pin
D4*	A4	D7*	J6	D10*	D9
D4-	B4	D7-	H6	D10-	D8
D5*	J4	D8*	A8	D11*	F9
D5-	H4	D8-	B8	D11-	F8
D6*	A6	D9*	J8		
D6-	B6	D9-	H8		

Transmitter MiniPOD  
TWS Bus  
Connections to the  
HTM's ZYNQ FPGA



The MiniPOD  
No-Connection Pins are:  
C7, D5, E5, E7, F5, F6, G7

The MiniPOD  
Ground Pins are:  
A1, A3, A5, A7, A9  
B1, B3, B5, B7, B9  
C1, C2, C8, C9  
D3, D7  
E1, E2, E8, E9  
F3, F7  
G1, G2, G8, G9  
H1, H3, H5, H7, H9  
J1, J3, J5, J7, J9

MiniPOD Trans. Data		Mezzanine Connector		HTM's ZYNQ FPGA	
Signal	Pin	Polar	Connector	Pin	Signal
D0*	D1	X	J1-22	R4	MGT TX P1 112
D0-	D2		J1-24	R3	MGT TX N1 112
D1*	F1		J1-26	P2	MGT TX P2 112
D1-	F2		J1-28	P1	MGT TX N2 112
D2*	A2		J1-18	T2	MGT TX P0 112
D2-	B2		J1-20	T1	MGT TX N0 112
D3*	J2	X	J1-30	N4	MGT TX P3 112
D3-	H2		J1-32	N3	MGT TX N3 112