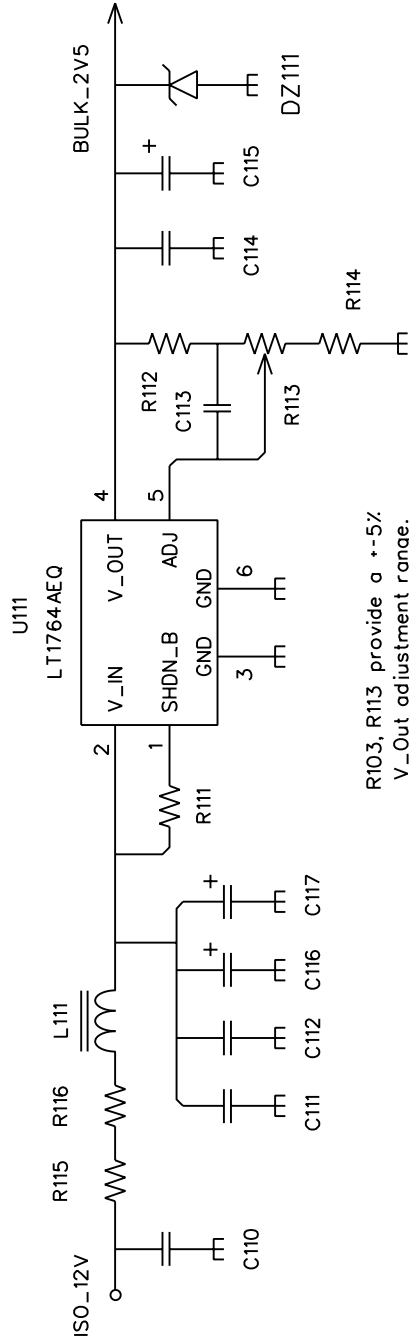
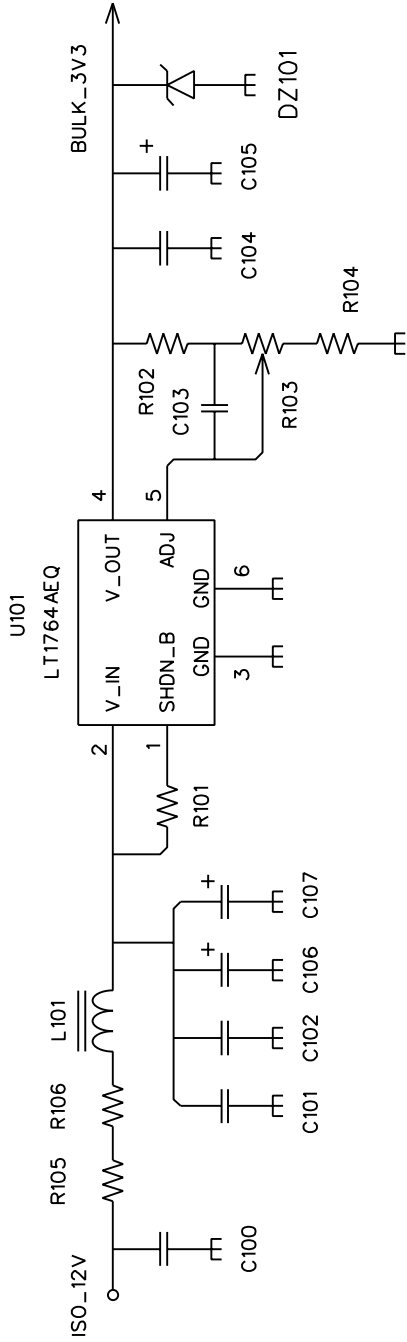


HTM Card Linear Regulators



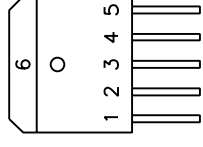
R103, R113 provide a +-5% V_Out adjustment range.

Component Values

C100, C110	Cap_220_nFd_0603	R101, R111	Res_Zero_Ohm_0603	L101	Würth 744311470
C101, C111	Cap_220_nFd_0603	R102	Res_1780_Ohm_0603_TC	L111	4.7 uH, 6 Amp
C102, C112	Cap_10_uFd_25_V_1206	R112	Res_1070_Ohm_0603_TC	DZ101	MMSZ4686T1G
C103, C113	Cap_220_nFd_0603	R103, R113	Res_100_Ohm_3_Turn_Var	DZ111	or CMHZ5228B
C104, C114	Cap_10_uFd_25_V_1206	R104, R114	Res_1k_Ohm_0603_TC		
C105, C115	Cap_330_uFd_Tant_V				
C106, C116	Cap_22_uFd_Tant_V				
C107, C117	Cap_330_uFd_25V				

LT1764AEQ*PBF
LT1764AEQ*TRPBF

Top View DD Package



- 1 Shut_Down_B
- 2 V_IN
- 3 Ground
- 4 V_OUT
- 5 Sense/Adjust
- 6 Ground

Internal reference 1.210 Volt
Expected Voltage Drop about 9 Volts

Expexcted Loads

BULK_3V3	MiniPOD Trans + Rec
3.300 Volt	150 mA typ.
	275 mA max.
	Clock System
	175 mA typ.
	All Other 3V3 Loads
	100 mA typ.

BULK_2V5	MiniPOD Trans + Rec
2.500 Volt	630 mA typ.
	890 mA max.
	Clock System
	60 mA max.