

U_FPGA_B2B_Connectors
FPGA_B2B_Connectors.SchDoc



Ethernet
Ethernet.SchDoc



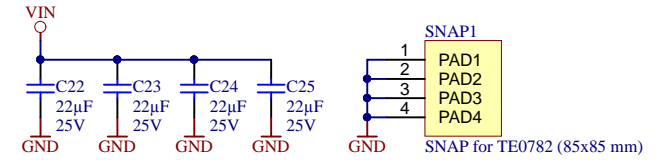
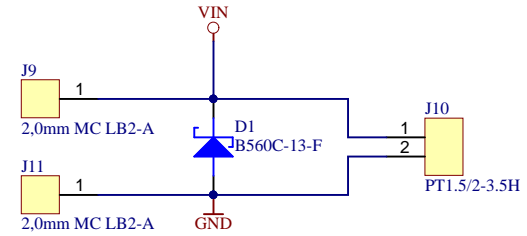
U_EXT_IO
EXT_IO.SchDoc



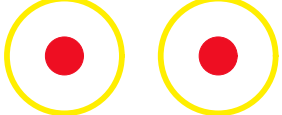
U_USB
USB.SchDoc



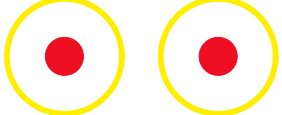
U_POWER
Power.schdoc



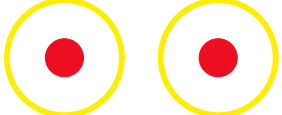
FIDU-DOT - small FIDU-DOT - small



PNDU-DOT - small PNDU-DOT - small

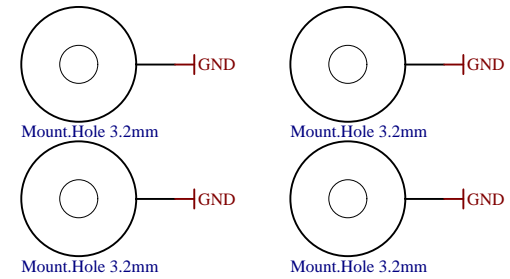


PNDU-DOT - small PNDU-DOT - small

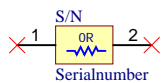



PM5

PM6



Serial
Serialnumber 6,3 x 6.3mm



		Title: TEBT0782	
		A4	Number: TEBT0782 Default
Date: 2015-10-30		Copyright: Trenz Electronic GmbH	
Page1 of 9		Filename: TEBT0782.SchDoc	

1

2

3

4

A

A

B

B

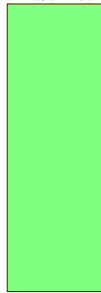
C

C

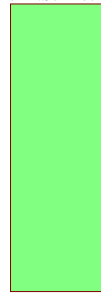
D

D

U_JB2
JB2.SchDoc



U_JB1
JB1.SchDoc



U_JB3
JB3.SchDoc



Title: TEBT0782 - FPGA B2B Connectors		
A4	Number: TEBT0782 Default	Rev. 01
Date: 2015-10-30	Copyright: Trenz Electronic GmbH	Page 2 of 9
Filename: FPGA_B2B_Connectors.SchDoc		

1

2

3

4

A

B

C

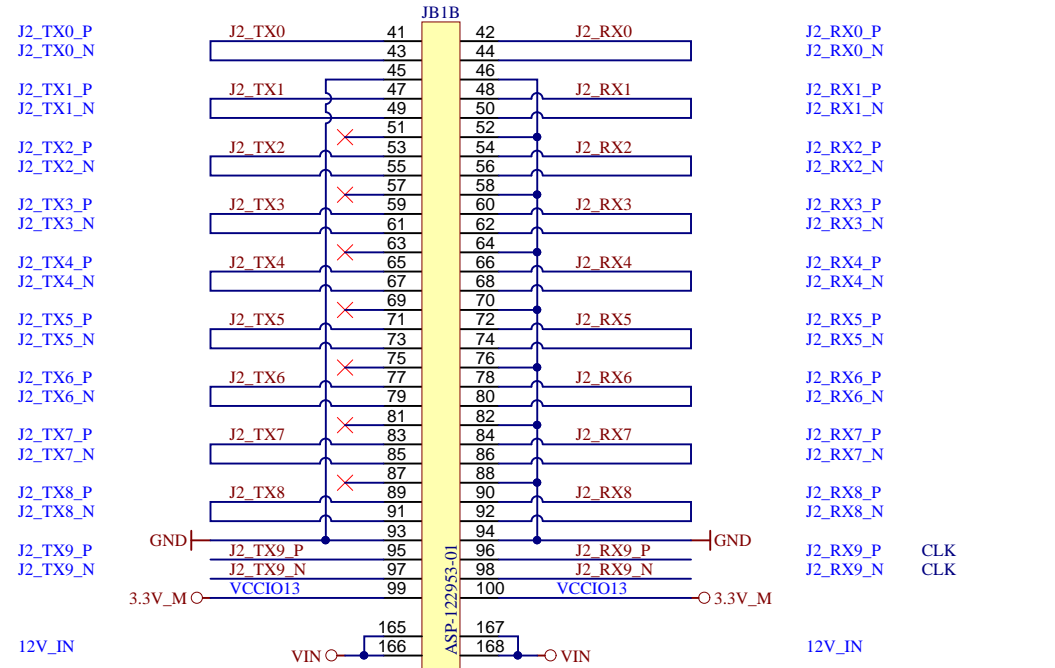
D

A

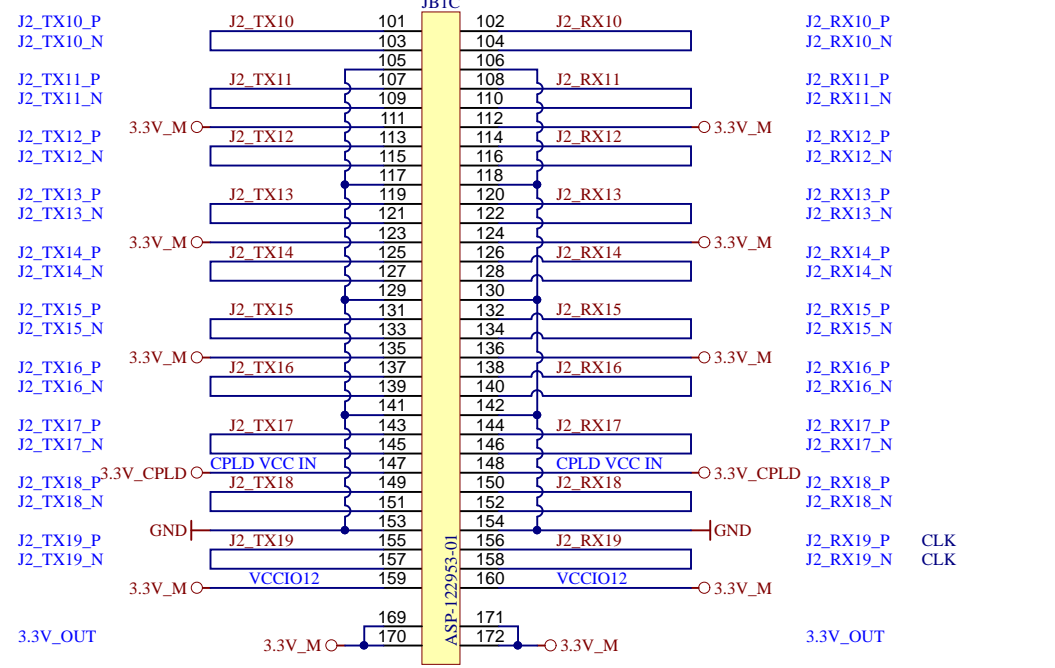
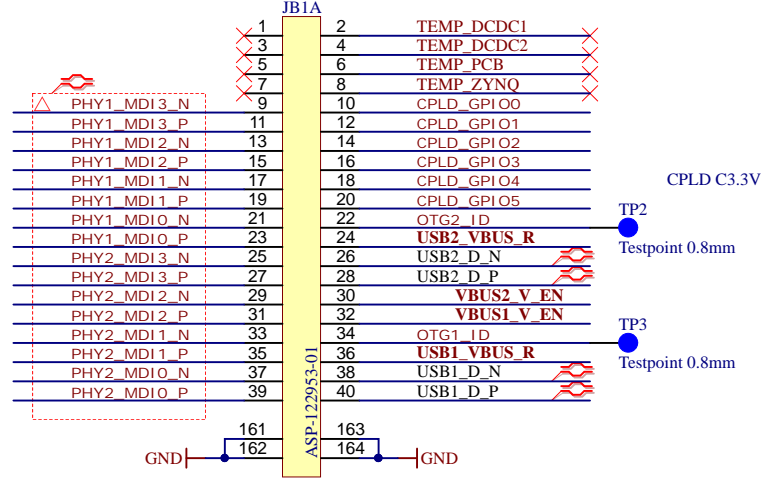
B

C

D



PHY1_MDI3_N
PHY1_MDI3_P
PHY1_MDI2_N
PHY1_MDI2_P
PHY1_MDI1_N
PHY1_MDI1_P
PHY1_MDI0_N
PHY1_MDI0_P
PHY2_MDI3_P
PHY2_MDI2_N
PHY2_MDI2_P
PHY2_MDI1_N
PHY2_MDI1_P
PHY2_MDI0_N
PHY2_MDI0_P



Title: TEBT0782 - FPGA B2B Connectors JB1		
A4	Number: TEBT0782 Default	Rev. 01
Date: 2015-10-30	Copyright: Trenz Electronic GmbH	Page 3 of 9
Filename: JB1.SchDoc		

1

2

3

4

A

A

B

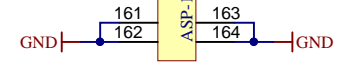
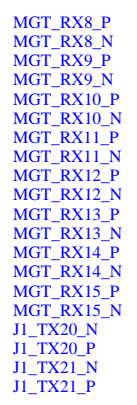
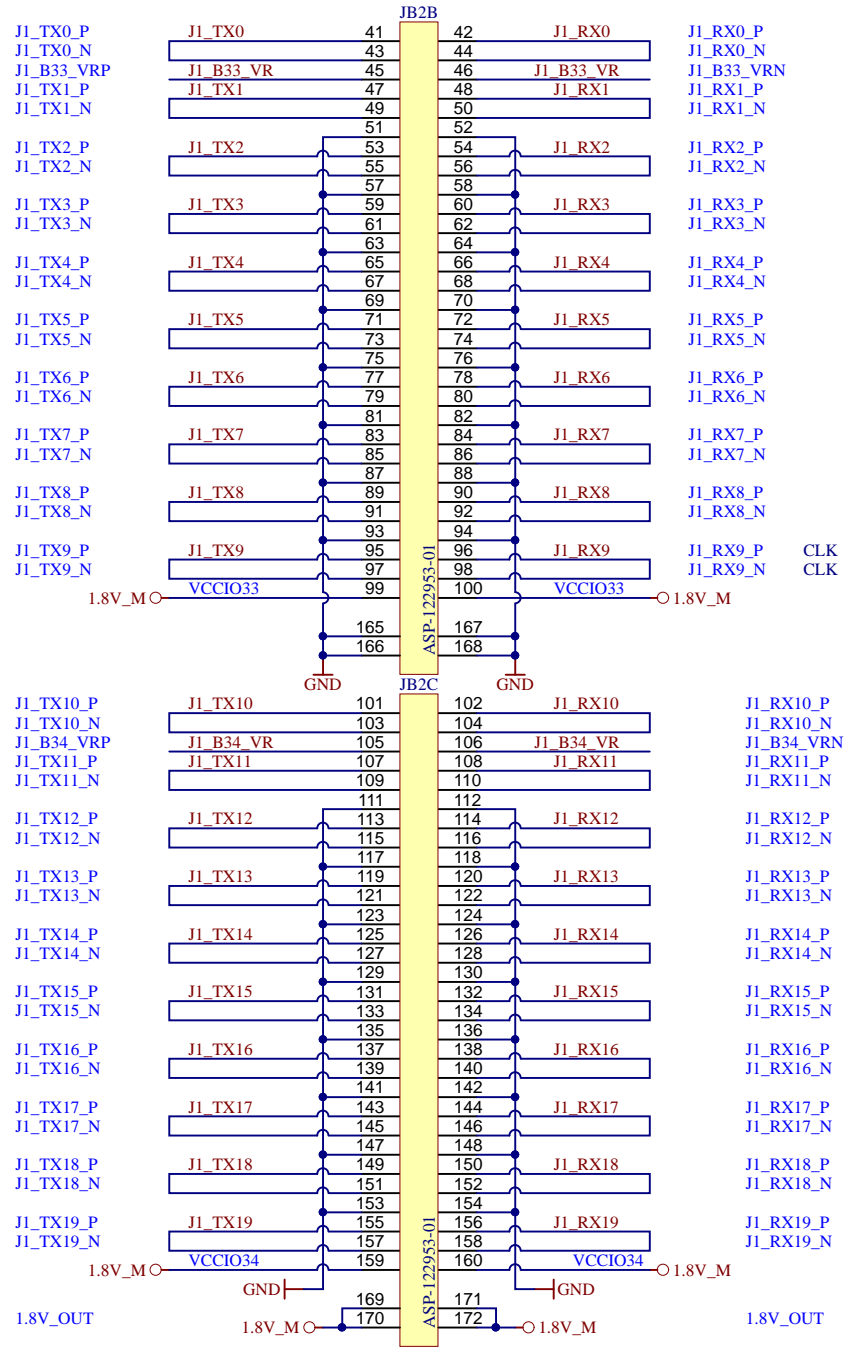
B

C

C

D

D



Title: TEBT0782 - FPGA B2B Connectors JB2		
A4	Number: TEBT0782 Default	Rev. 01
Date: 2015-10-30	Copyright: Trenz Electronic GmbH	Page4 of 9
Filename: JB2.SchDoc		

1

2

3

4

1

2

3

4

A

A

B

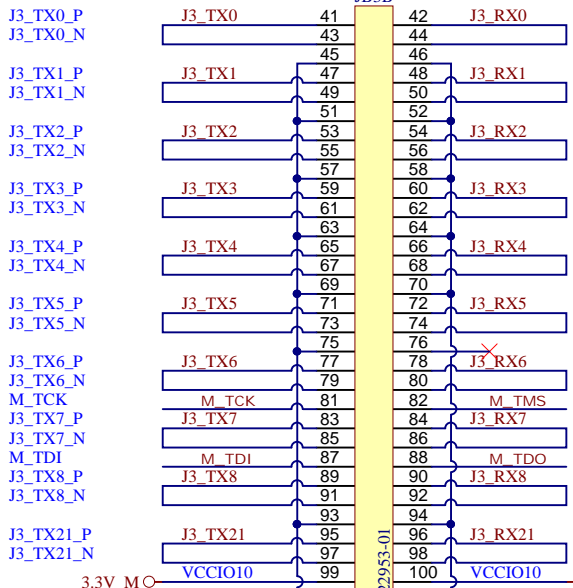
B

C

C

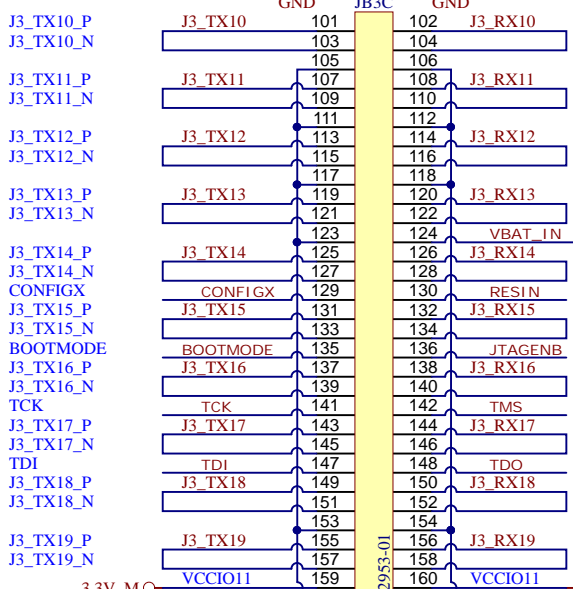
D

D

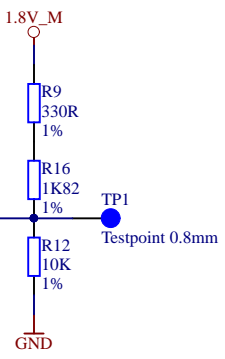
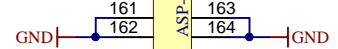


CPLD JTAG !

CLK
CLK



CLK
CLK



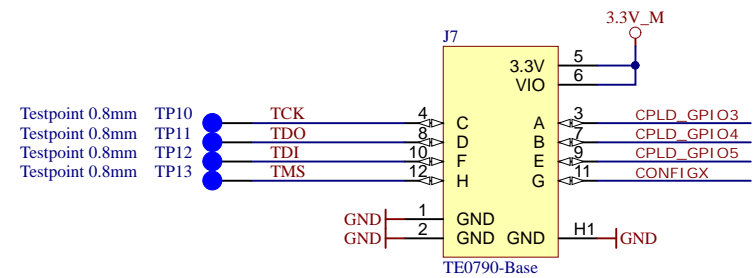
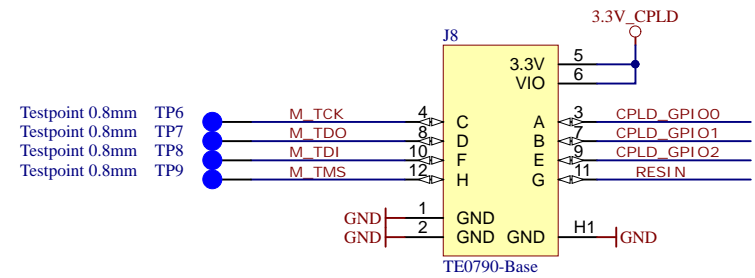
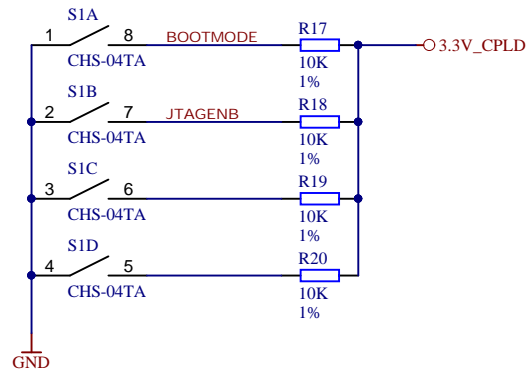
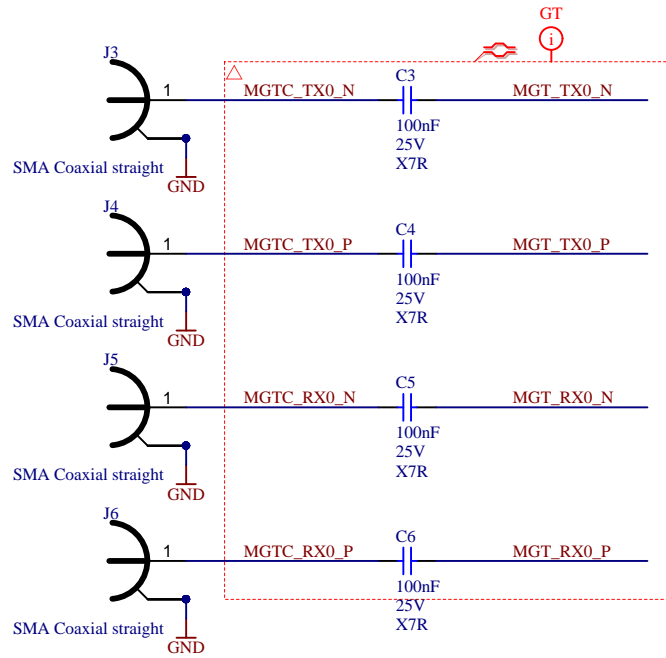
Title: TEBT0782 - FPGA B2B Connectors JB3		
A4	Number: TEBT0782 Default	Rev. 01
Date: 2015-10-30	Copyright: Trenz Electronic GmbH	Page5 of 9
Filename: JB3.SchDoc		

1

2

3

4



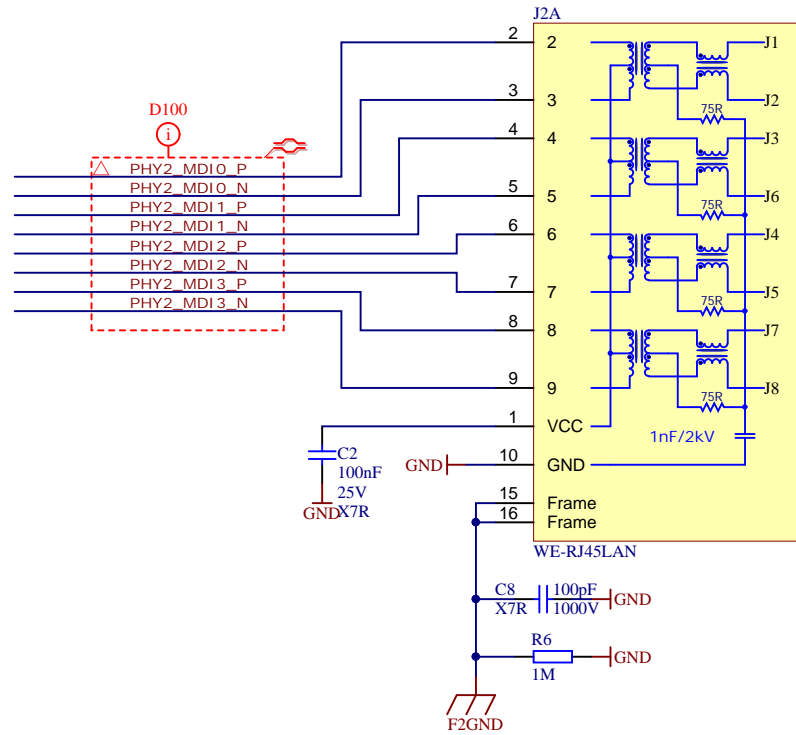
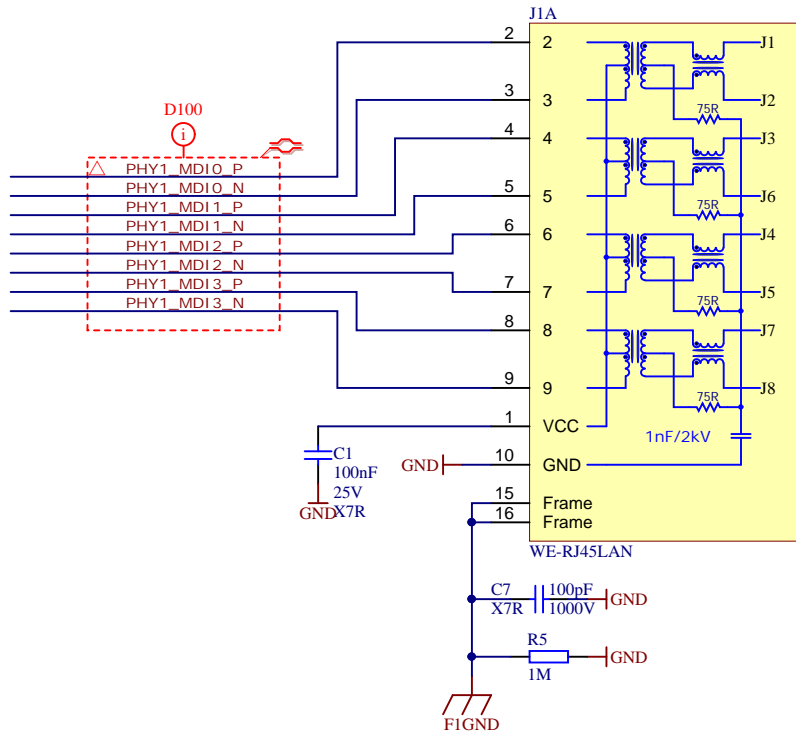
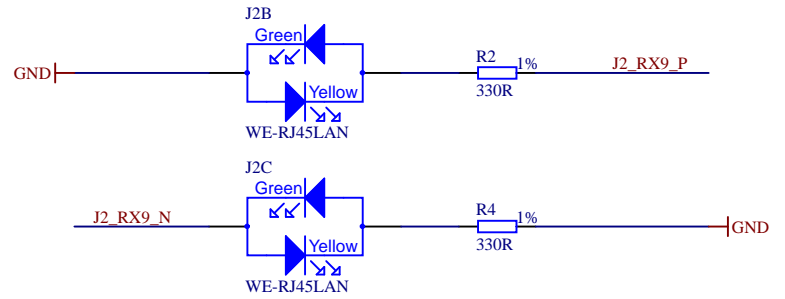
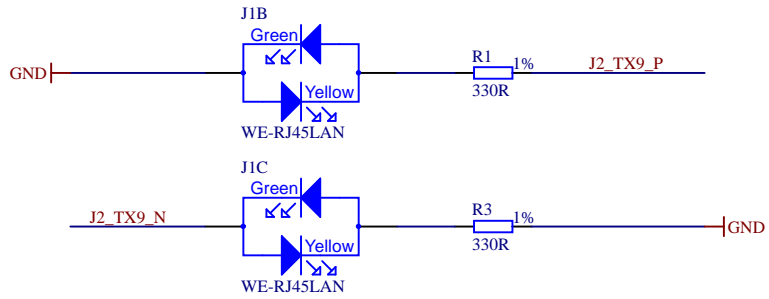
	Title: TEBT0782 - External IO		
	A4	Number: TEBT0782 Default	Rev. 01
	Date: 2015-10-30	Copyright: Trenz Electronic GmbH	Page 6 of 9
	Filename: EXT_IO.SchDoc		

1

2

3

4



Title: TEBT0782 - Ethernet		
A4	Number: TEBT0782 Default	Rev. 01
Date: 2015-10-30	Copyright: Trenz Electronic GmbH	Page 7 of 9
Filename: Ethernet.SchDoc		

1

2

3

4

1

2

3

4

A

A

B

B

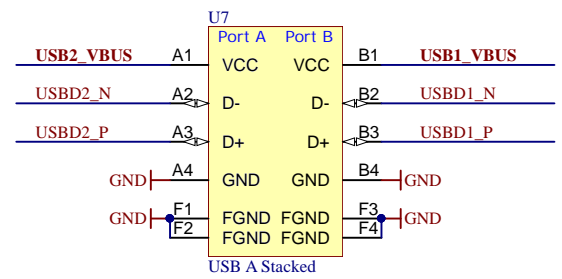
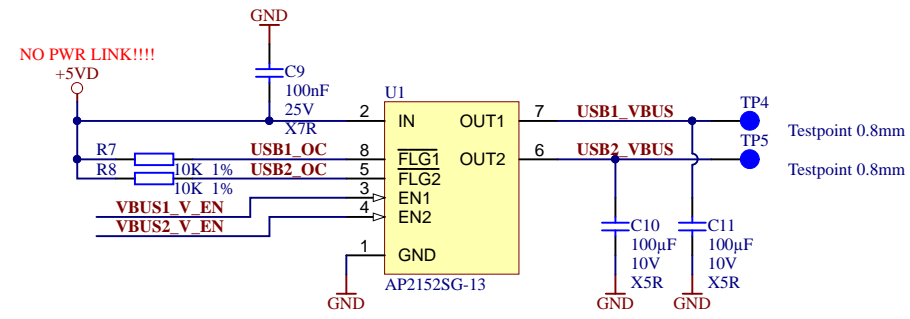
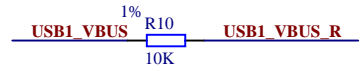
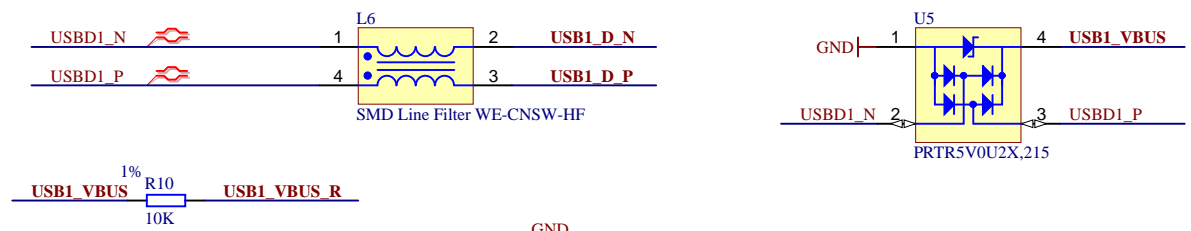
C

C

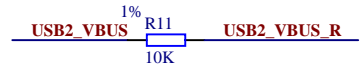
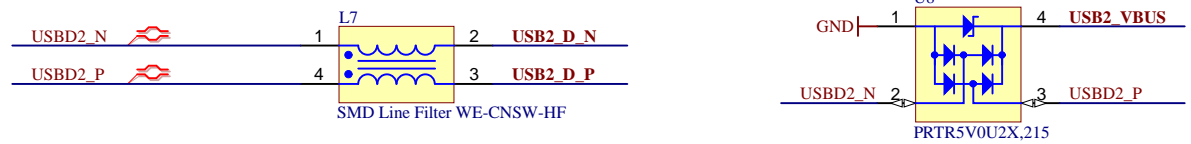
D

D

USB 1



USB 2



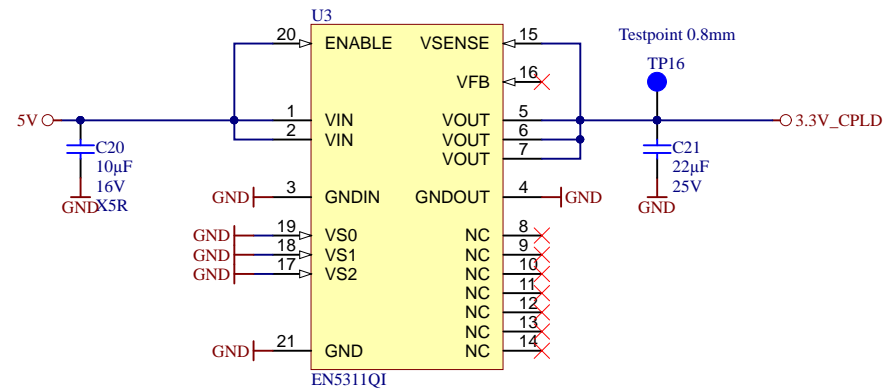
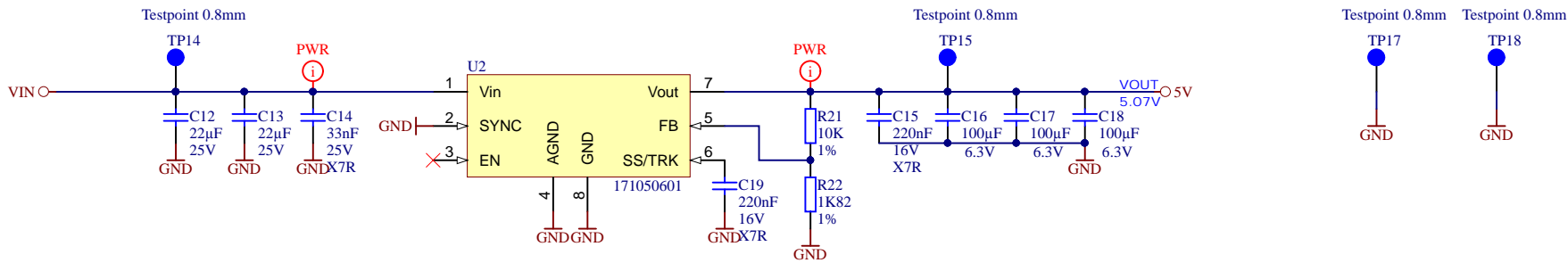
Title: TEBT0782 - USB		
A4	Number: TEBT0782 Default	Rev. 01
Date: 2015-10-30	Copyright: Trenz Electronic GmbH	Page 8 of 9
Filename: USB.SchDoc		

1

2

3

4



Title: TEBT0782 - Power		
A4	Number: TEBT0782 Default	Rev. 01
Date: 2016-08-29	Copyright: Trenz Electronic GmbH	Page 9 of 9
Filename: Power.schdoc		