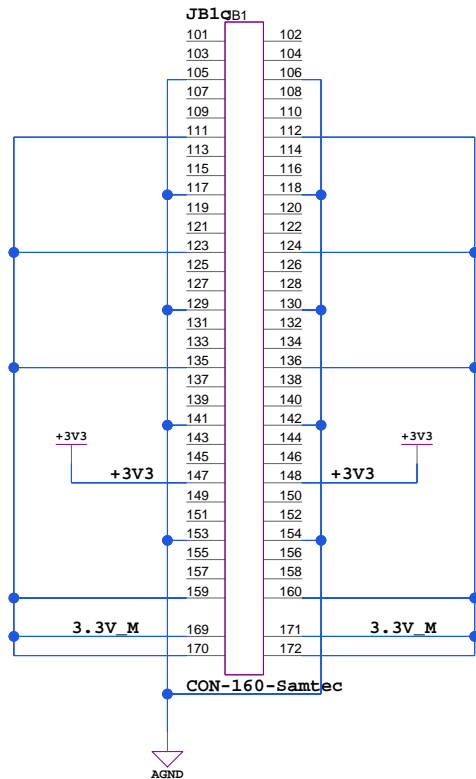
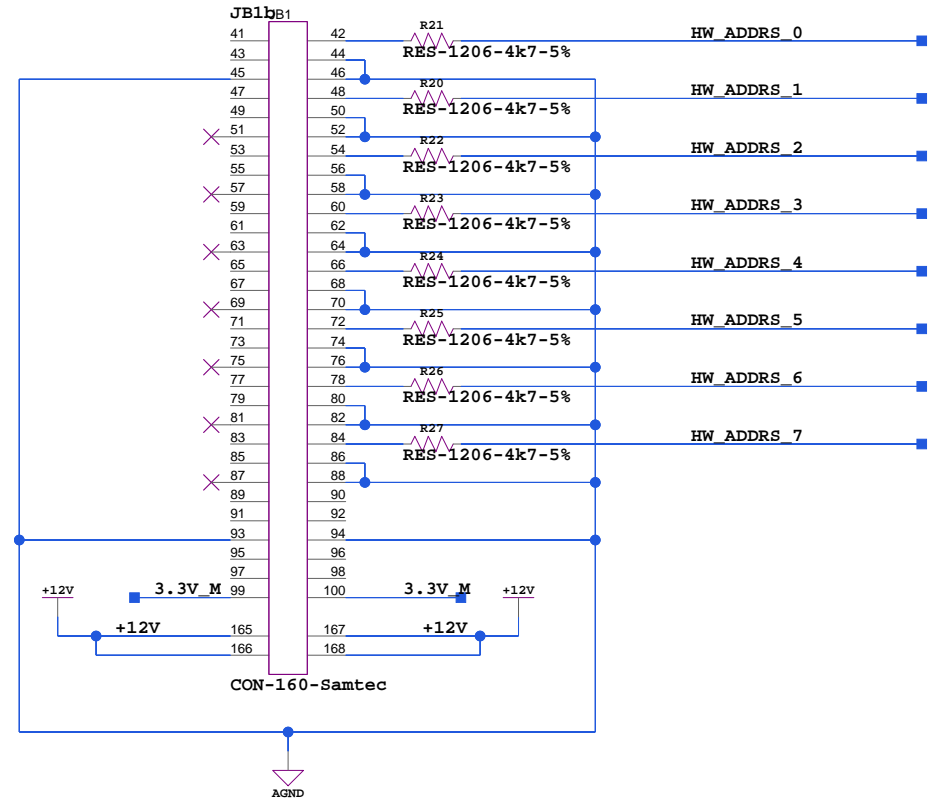
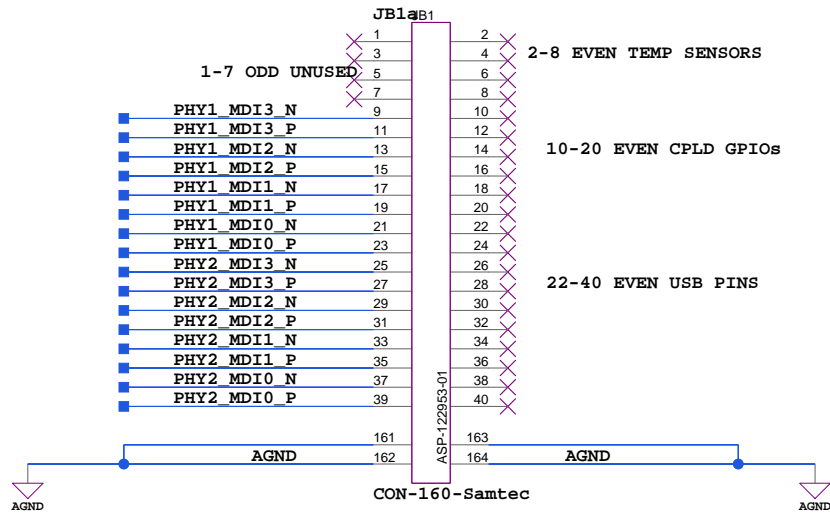
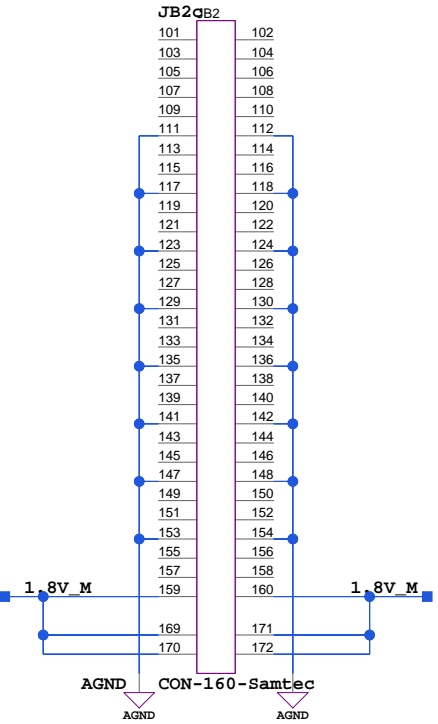
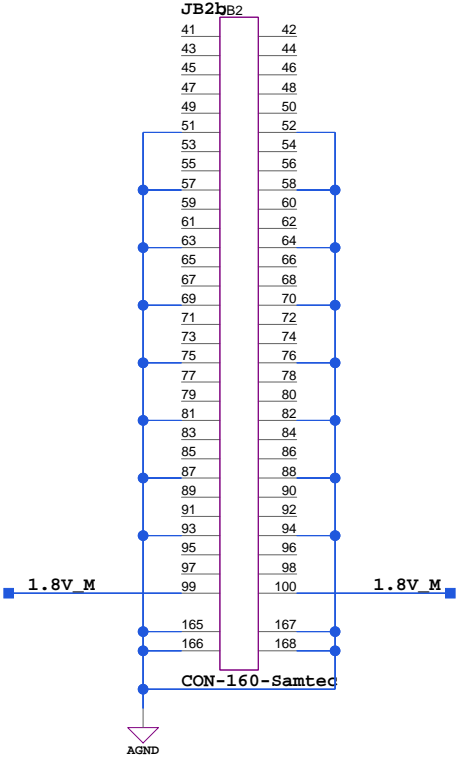
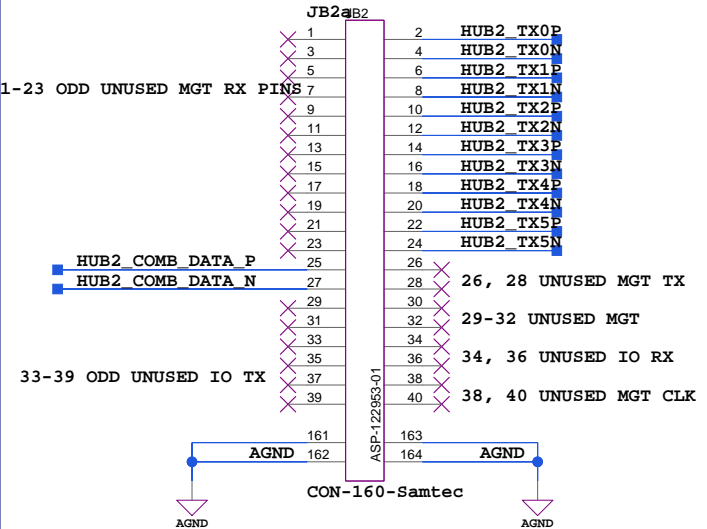


JB1 Mates to TE0782 J2

4.7kohm isolation resistors to SelectIO Rx P pins, Rx N pins grounded

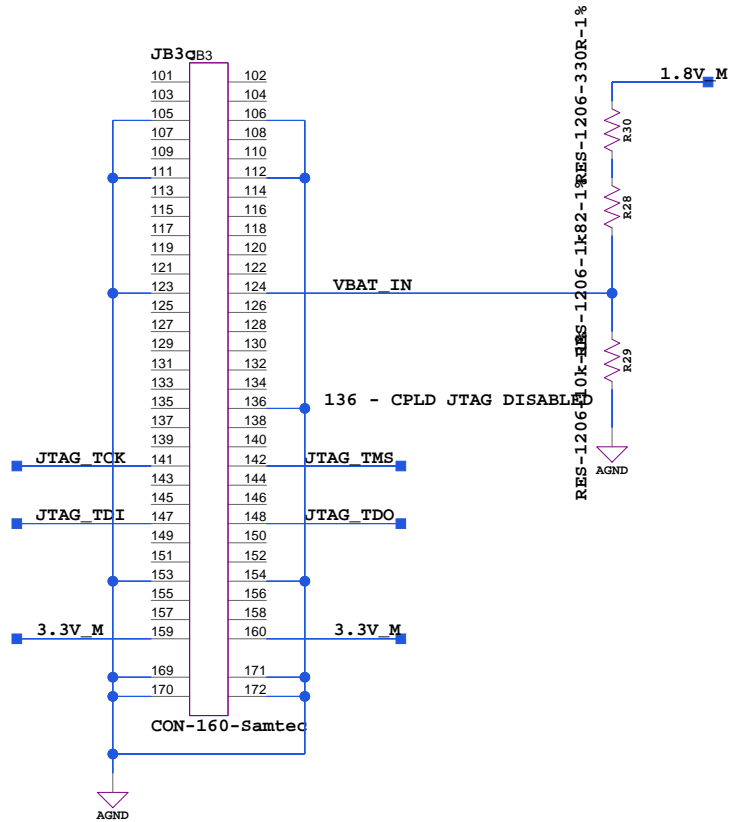
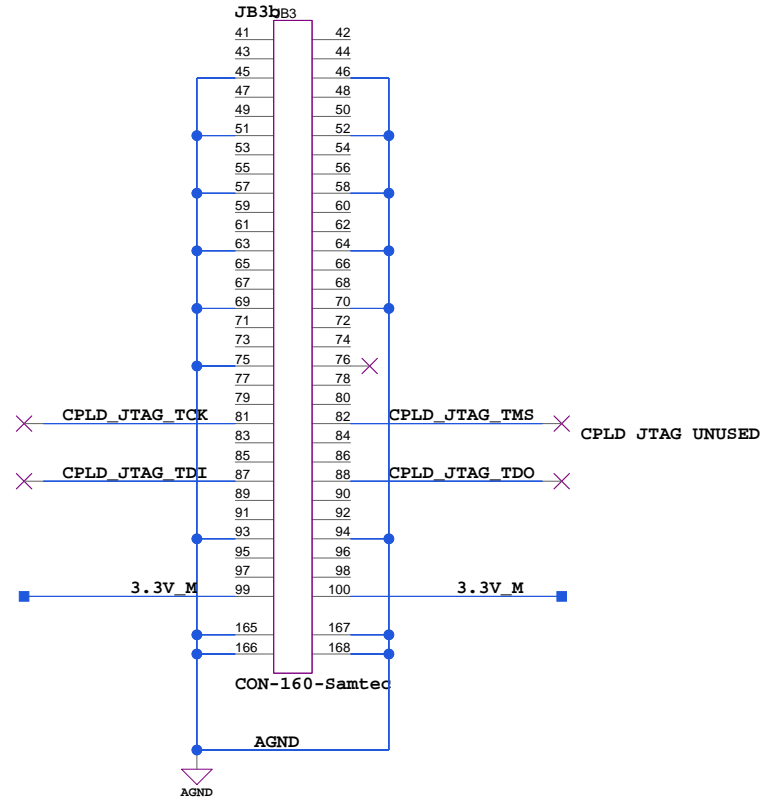
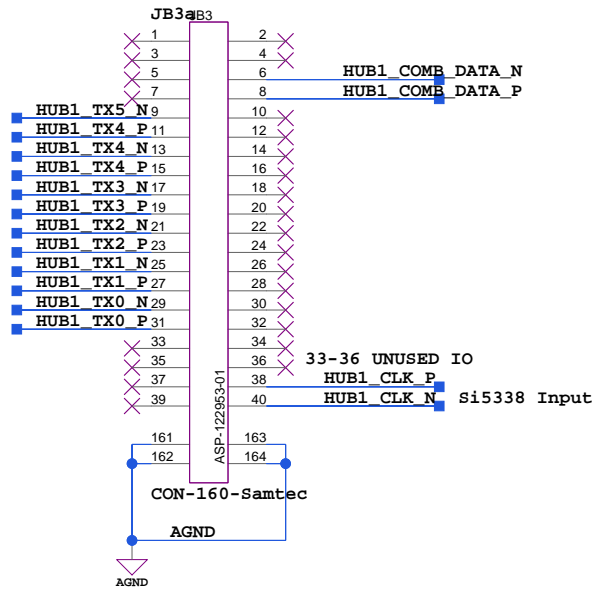


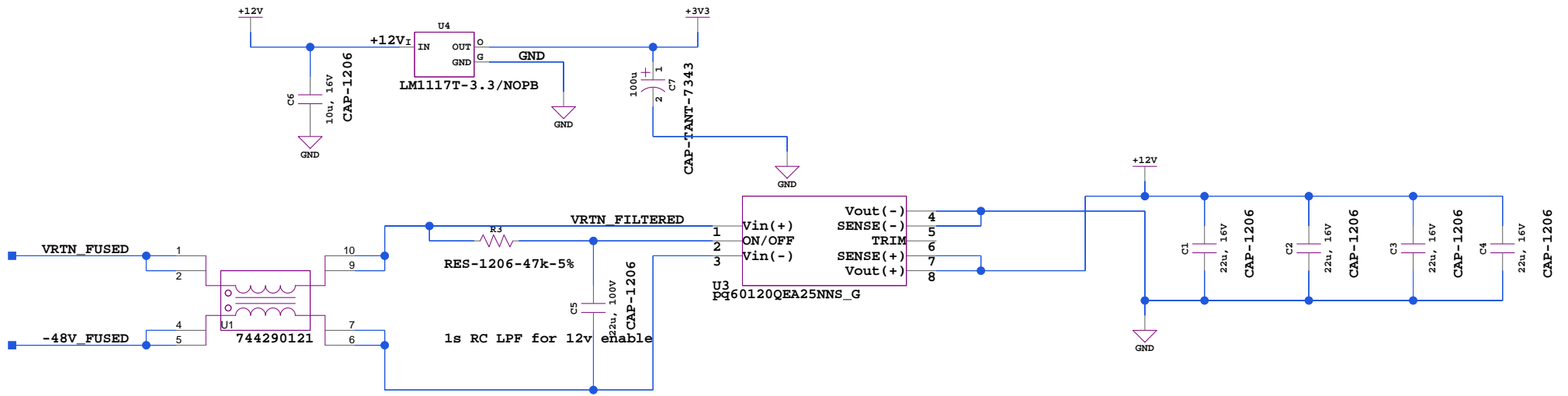
JB2 Mates to TE0782 J1

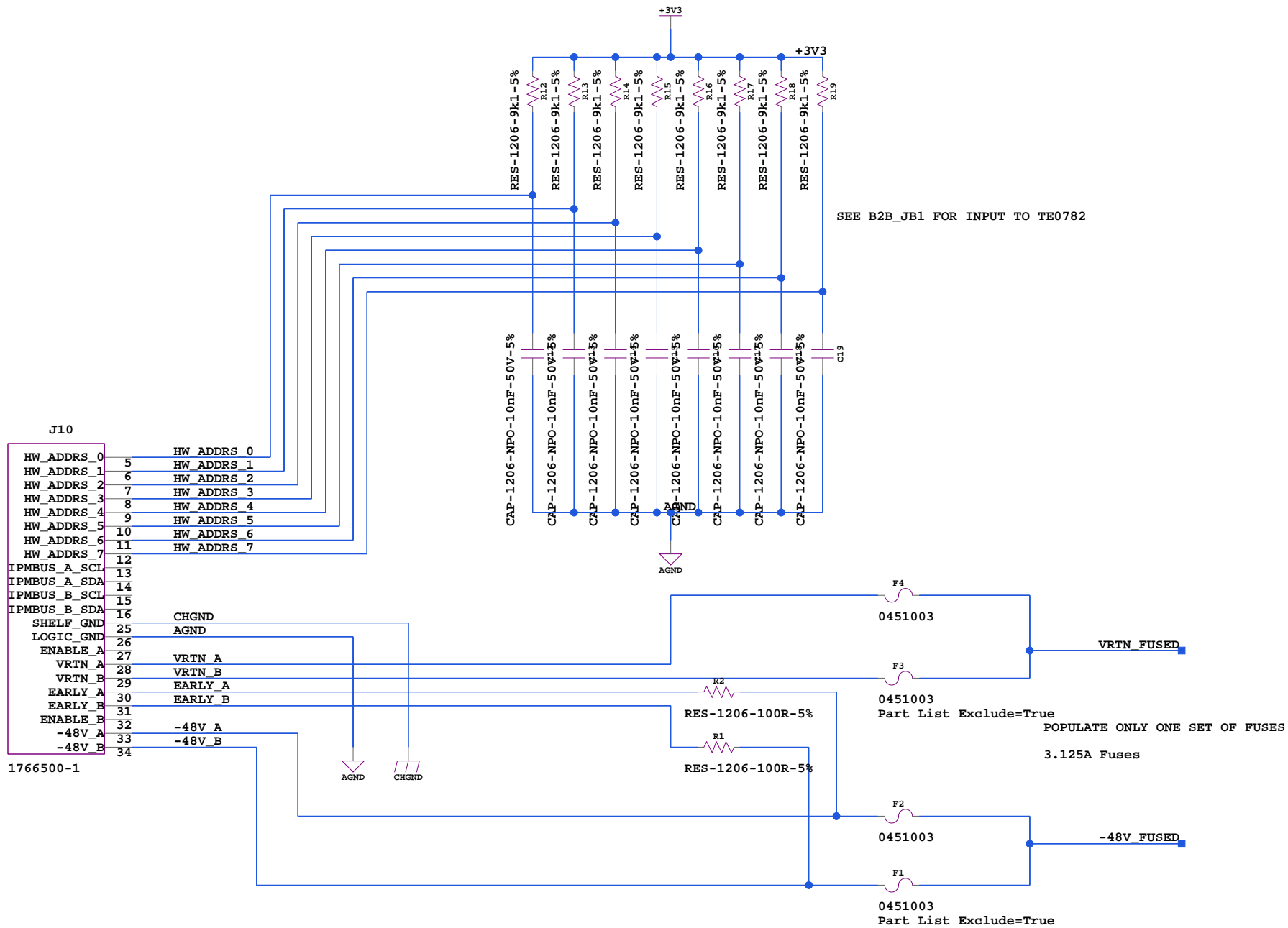


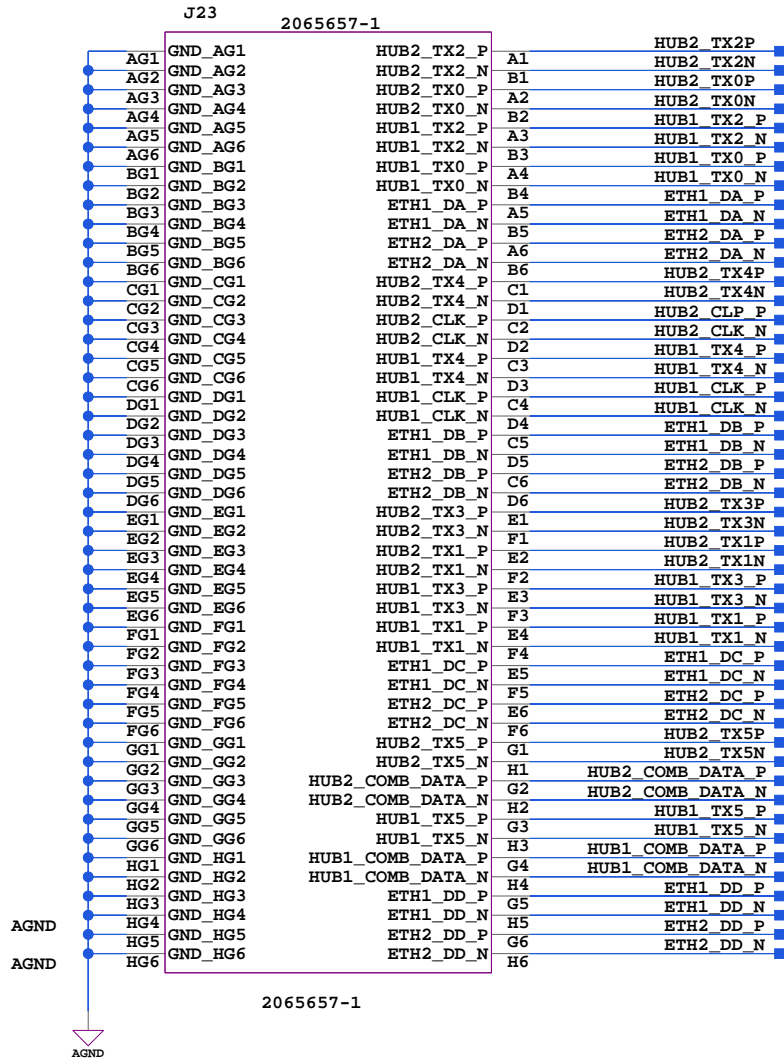
1.8V SelectIO ON THIS CONNECTOR ONLY

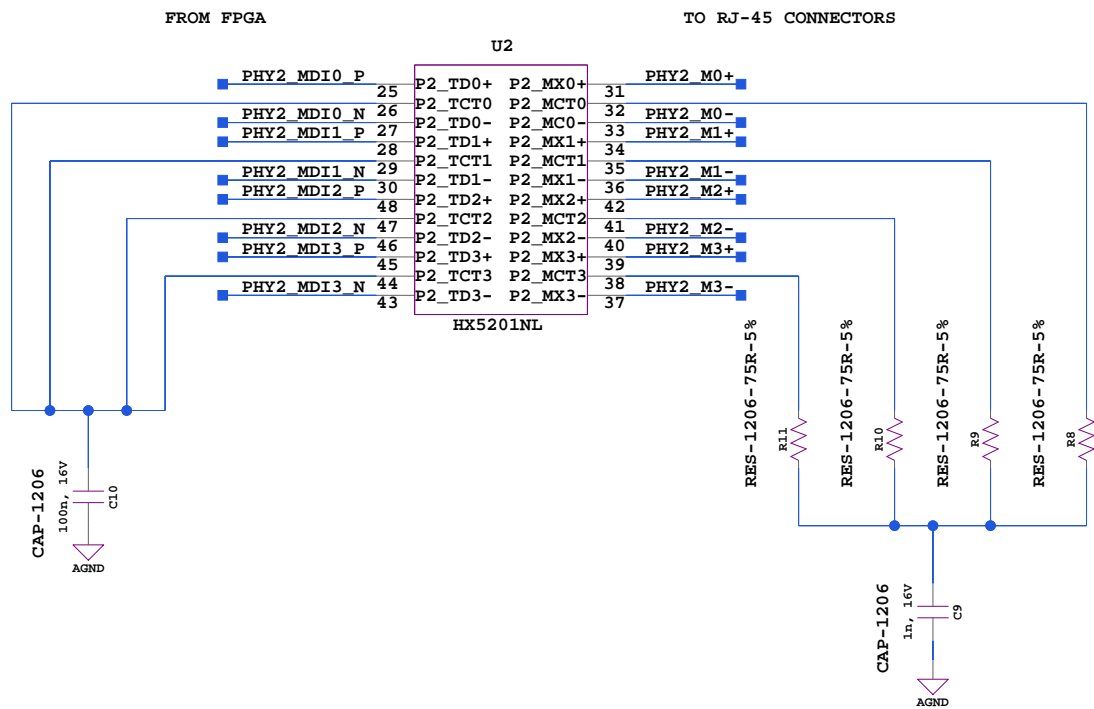
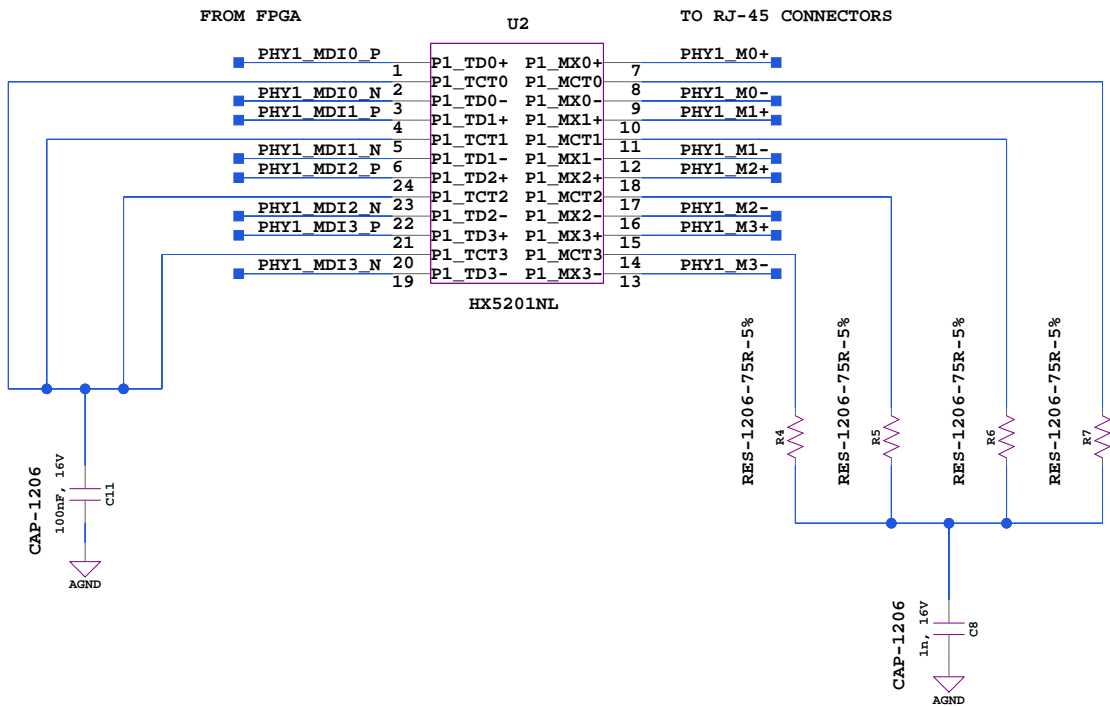
JB3 Mates to TE0782 J3

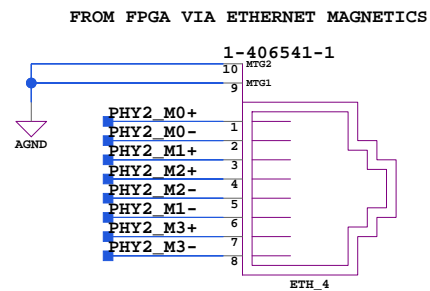
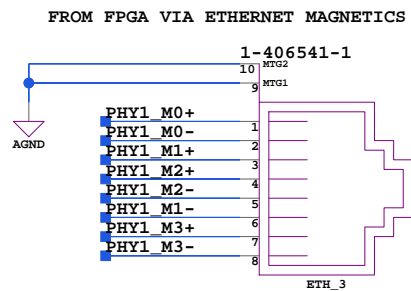
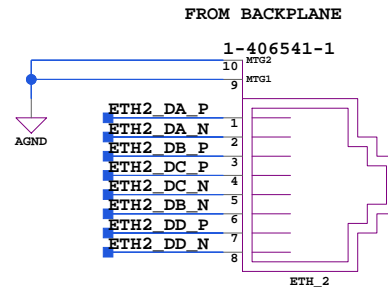
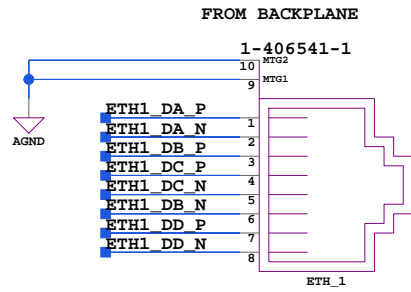












3.3V FROM MODULE SOURCED FOR JTAG

