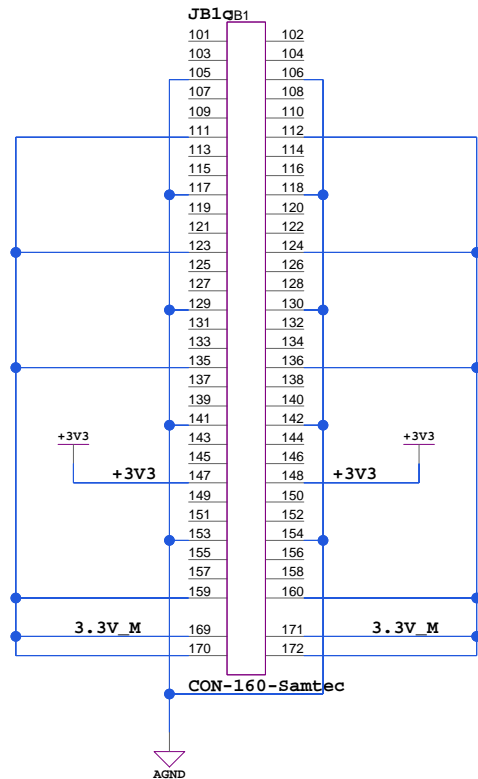
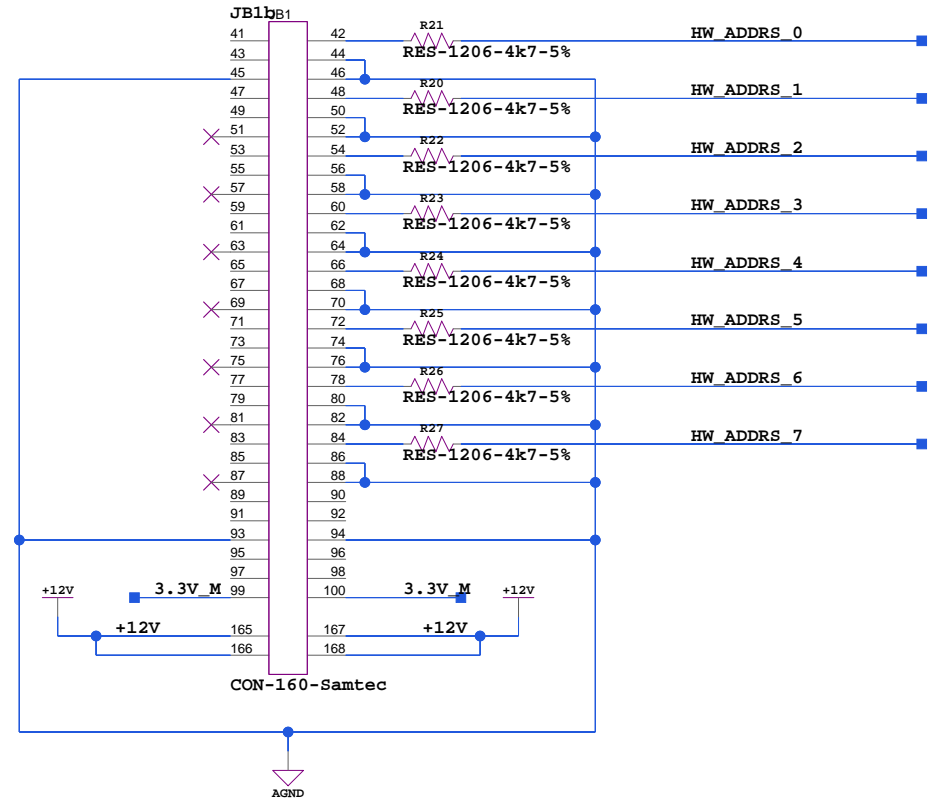
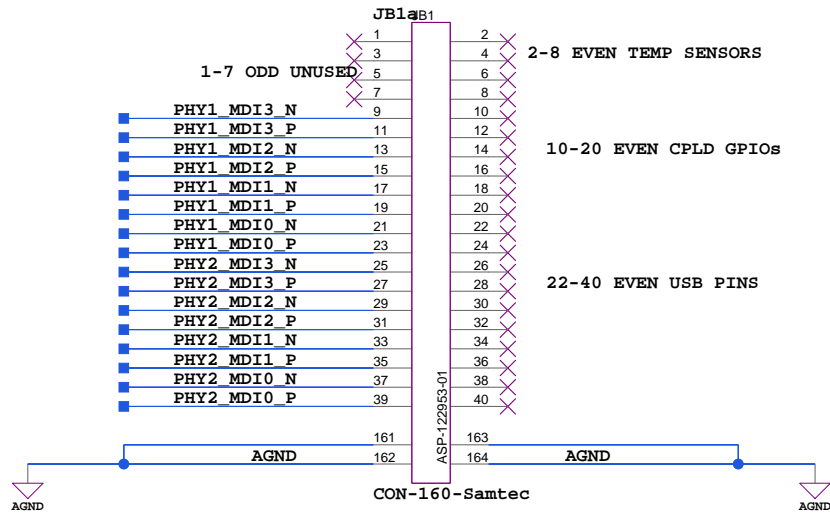
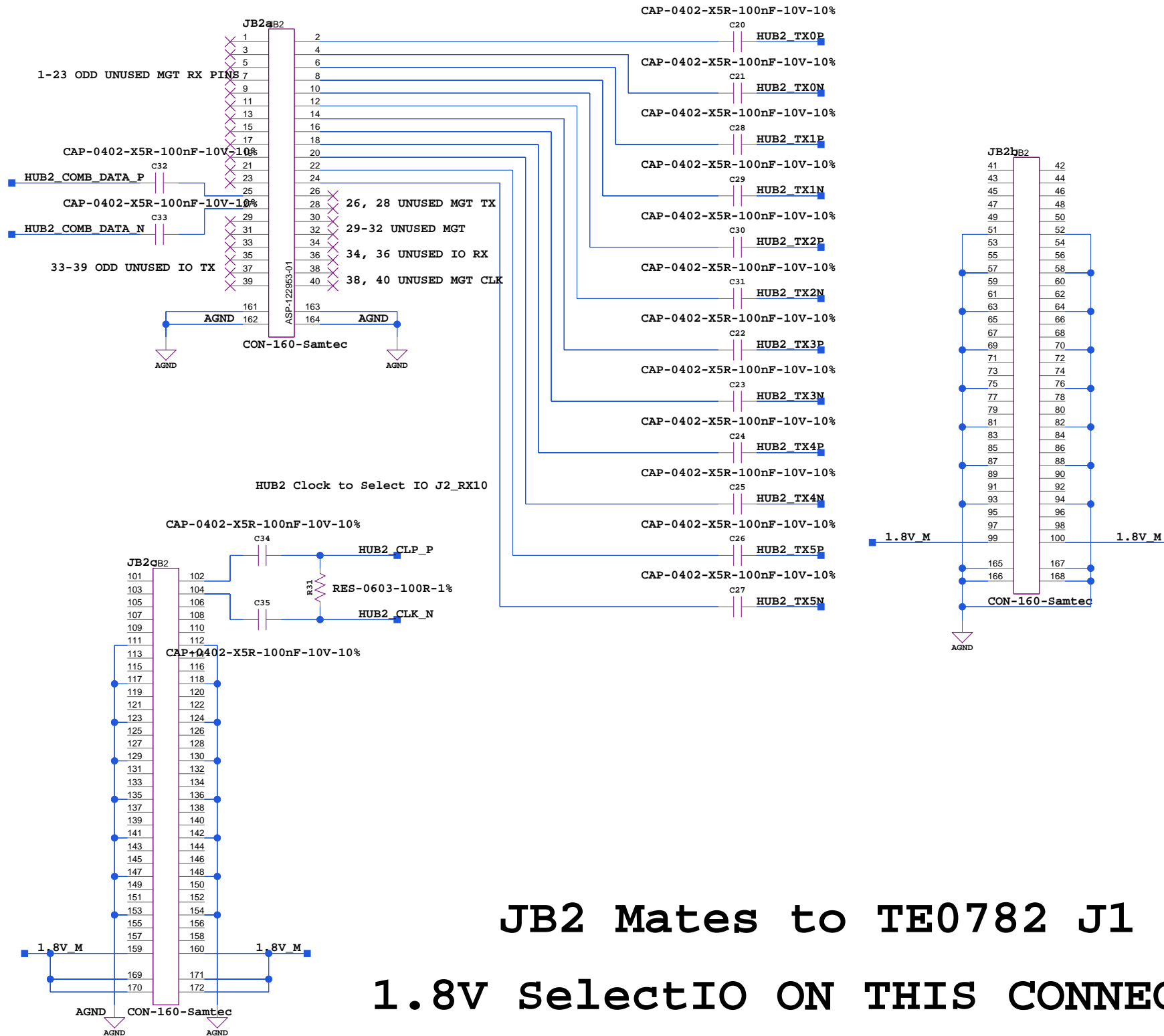


# JB1 Mates to TE0782 J2

4.7kohm isolation resistors to SelectIO Rx P pins, Rx N pins grounded

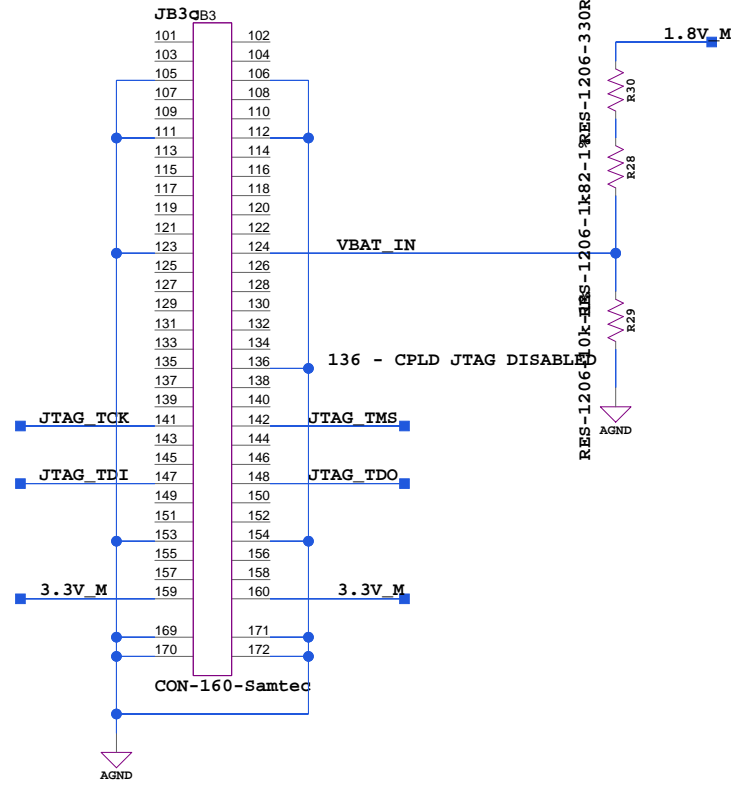
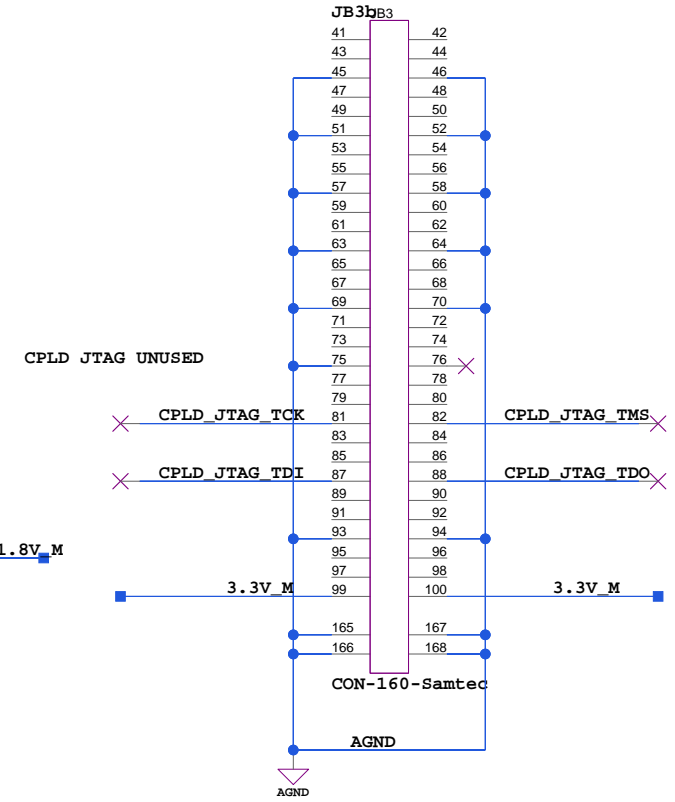
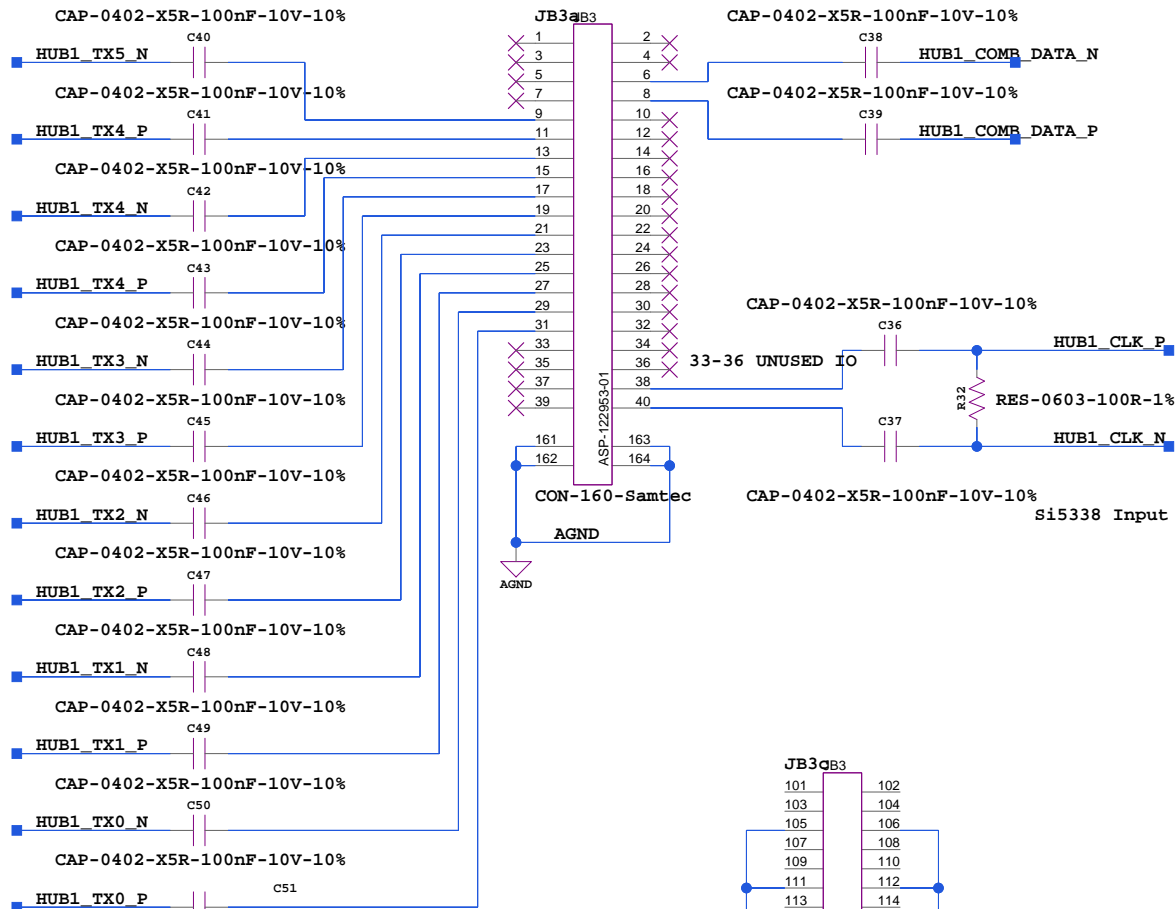


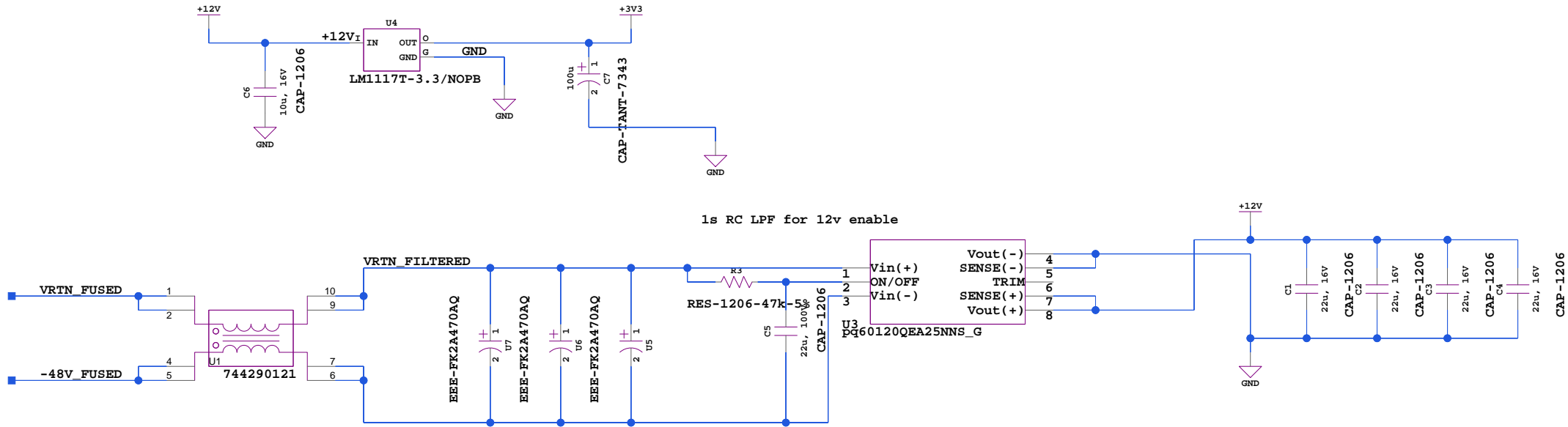


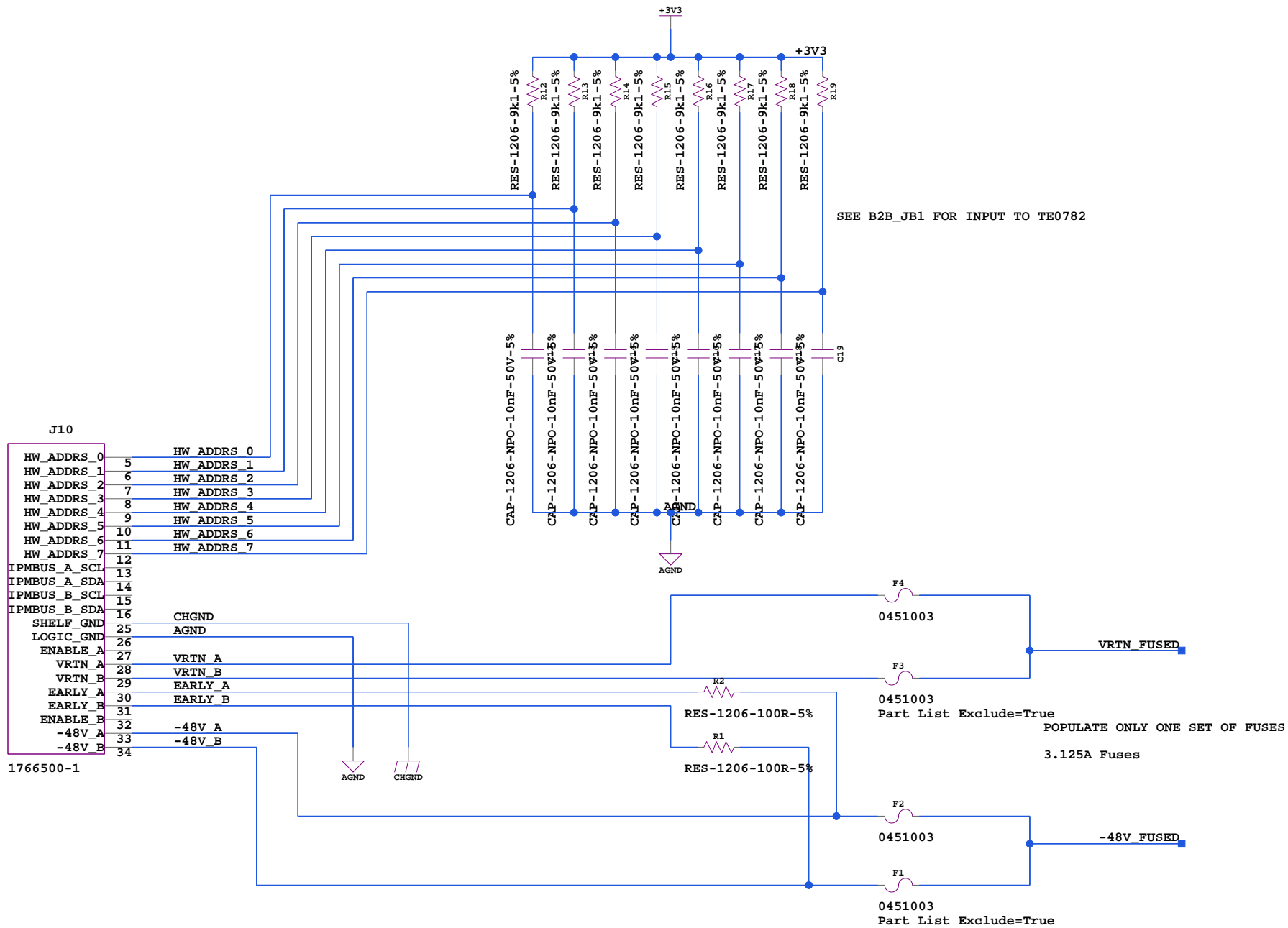
**JB2 Mates to TE0782 J1**

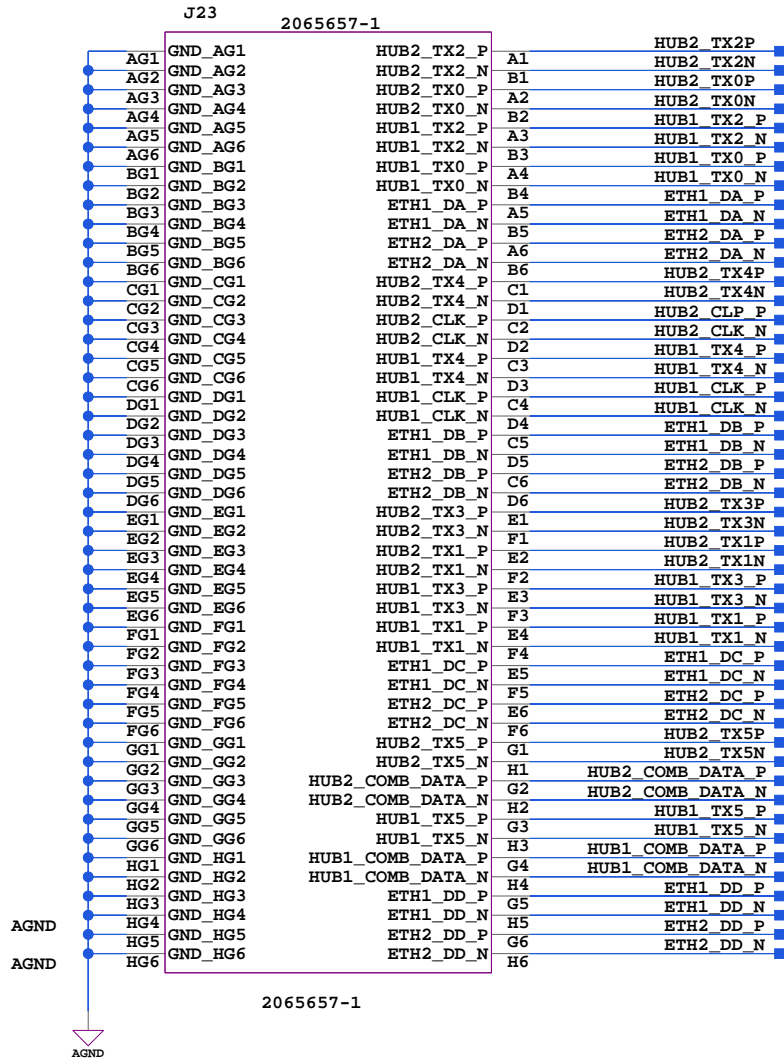
**1.8V SelectIO ON THIS CONNECTOR ONLY**

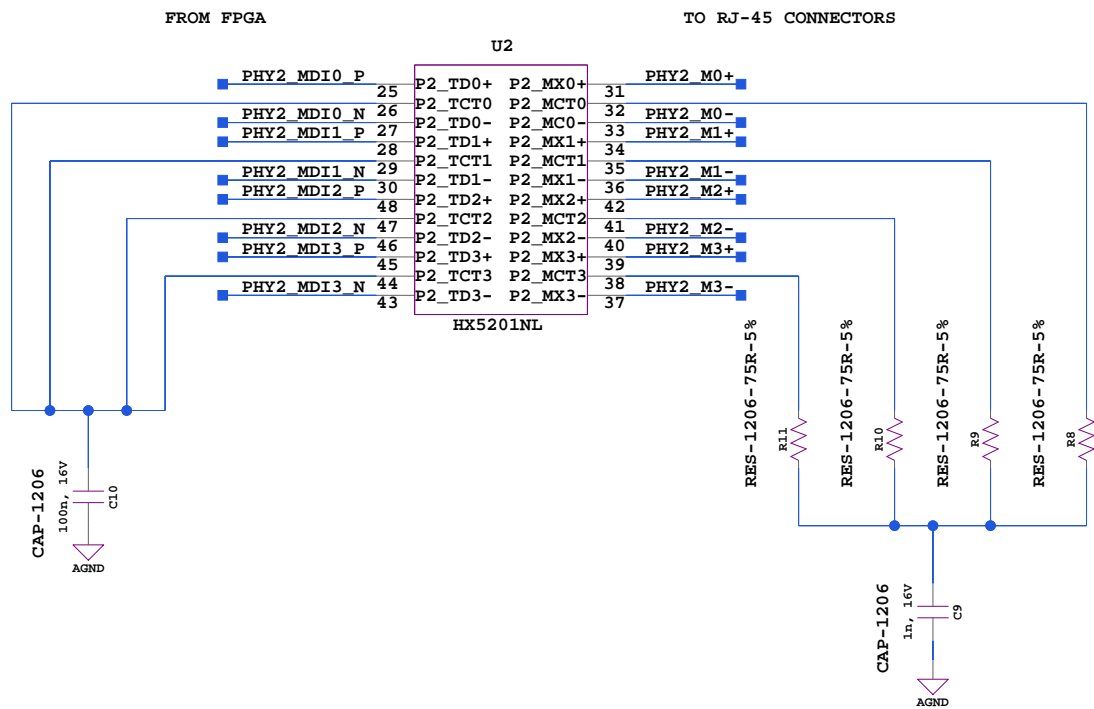
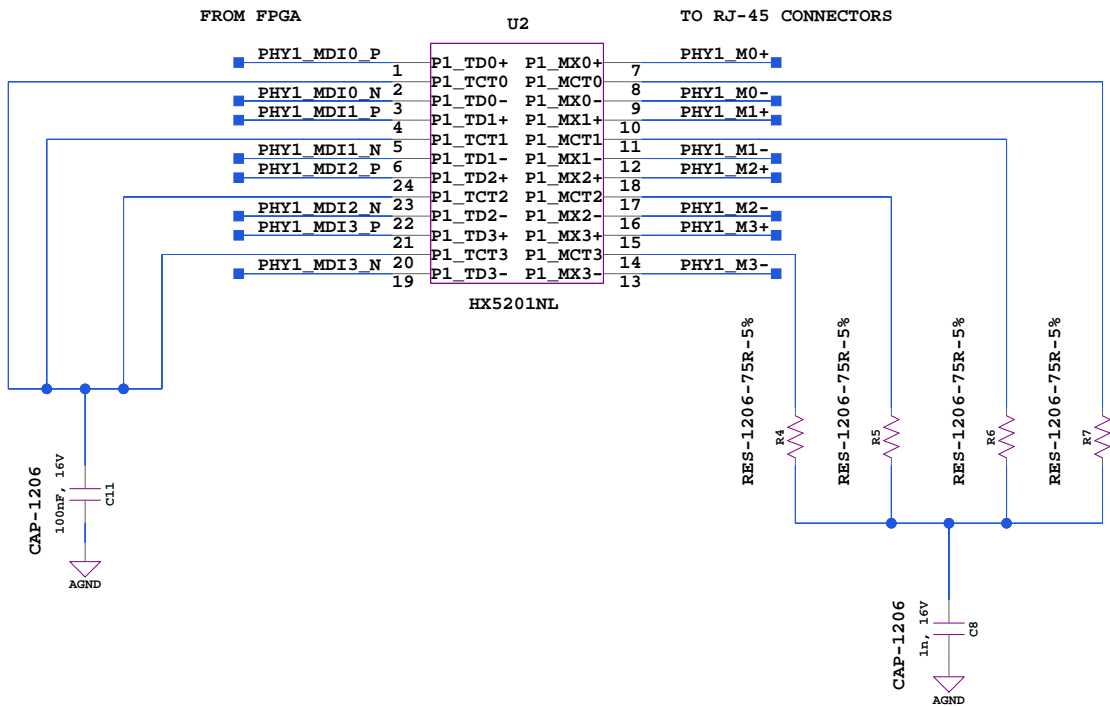
# JB3 Mates to TE0782 J3

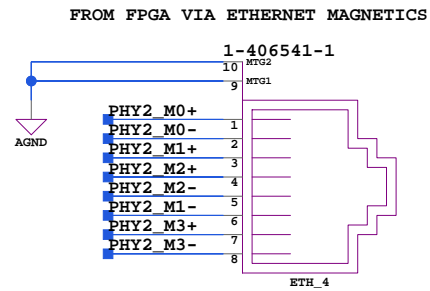
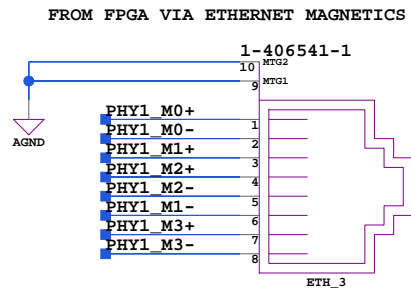
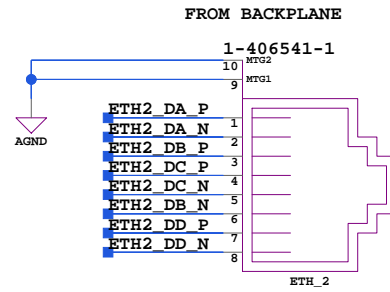
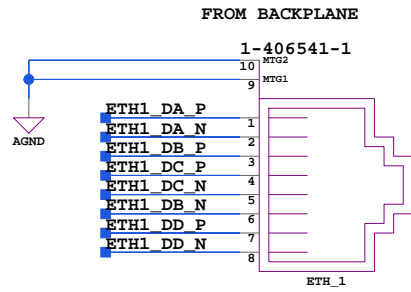














3.3V FROM MODULE SOURCED FOR JTAG

