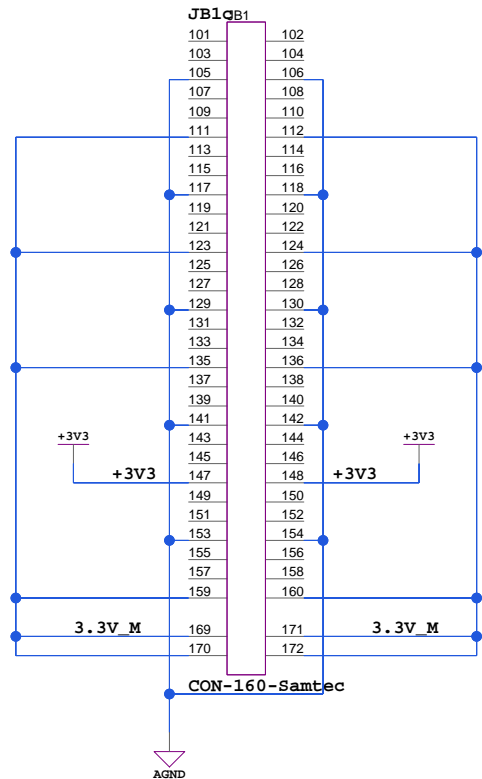
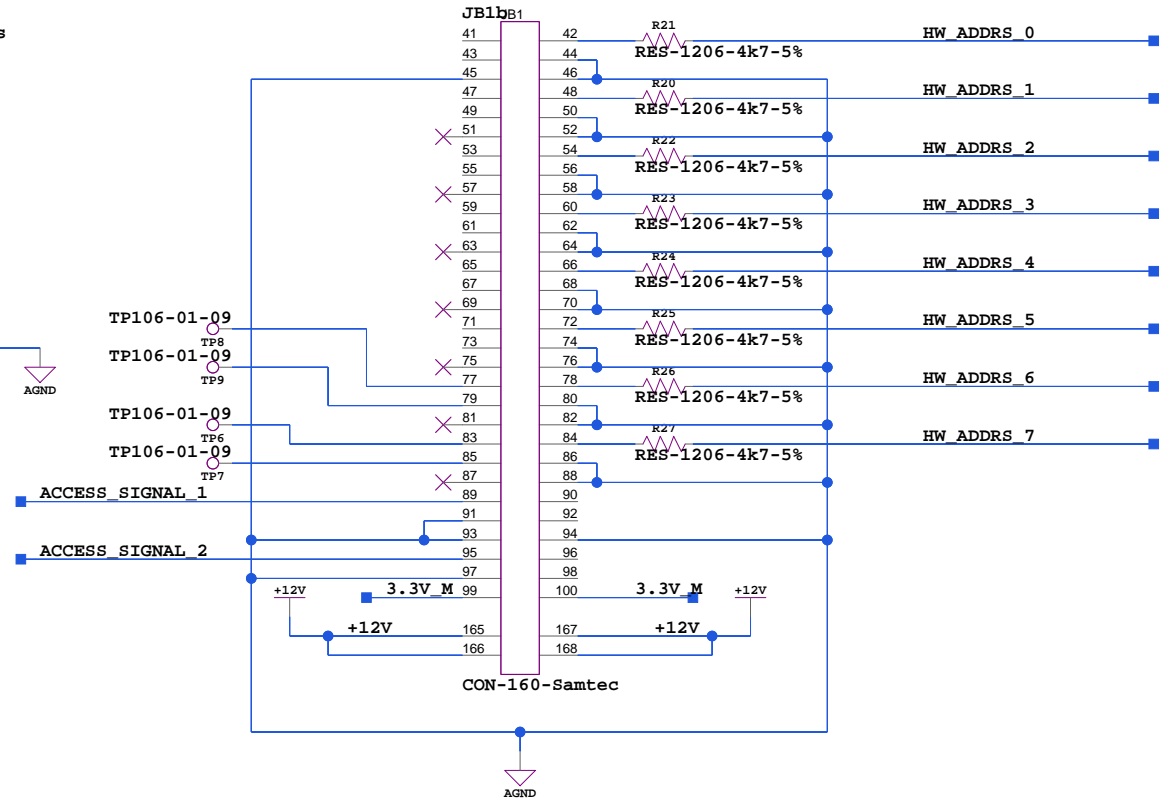
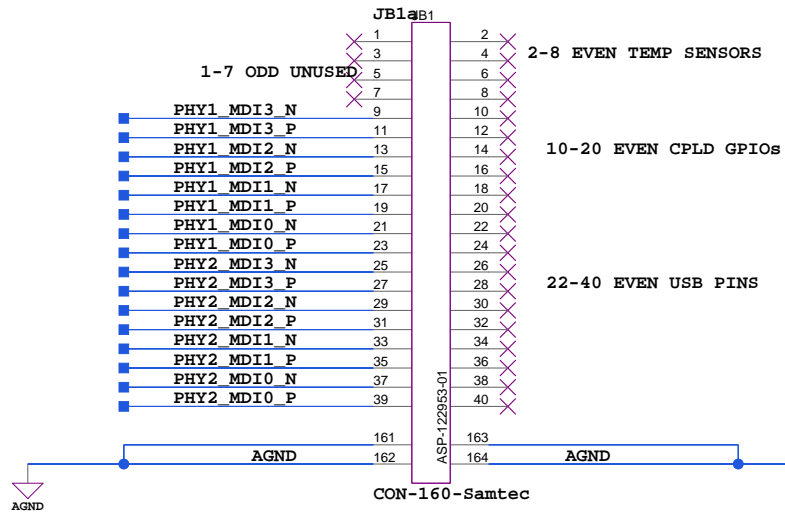
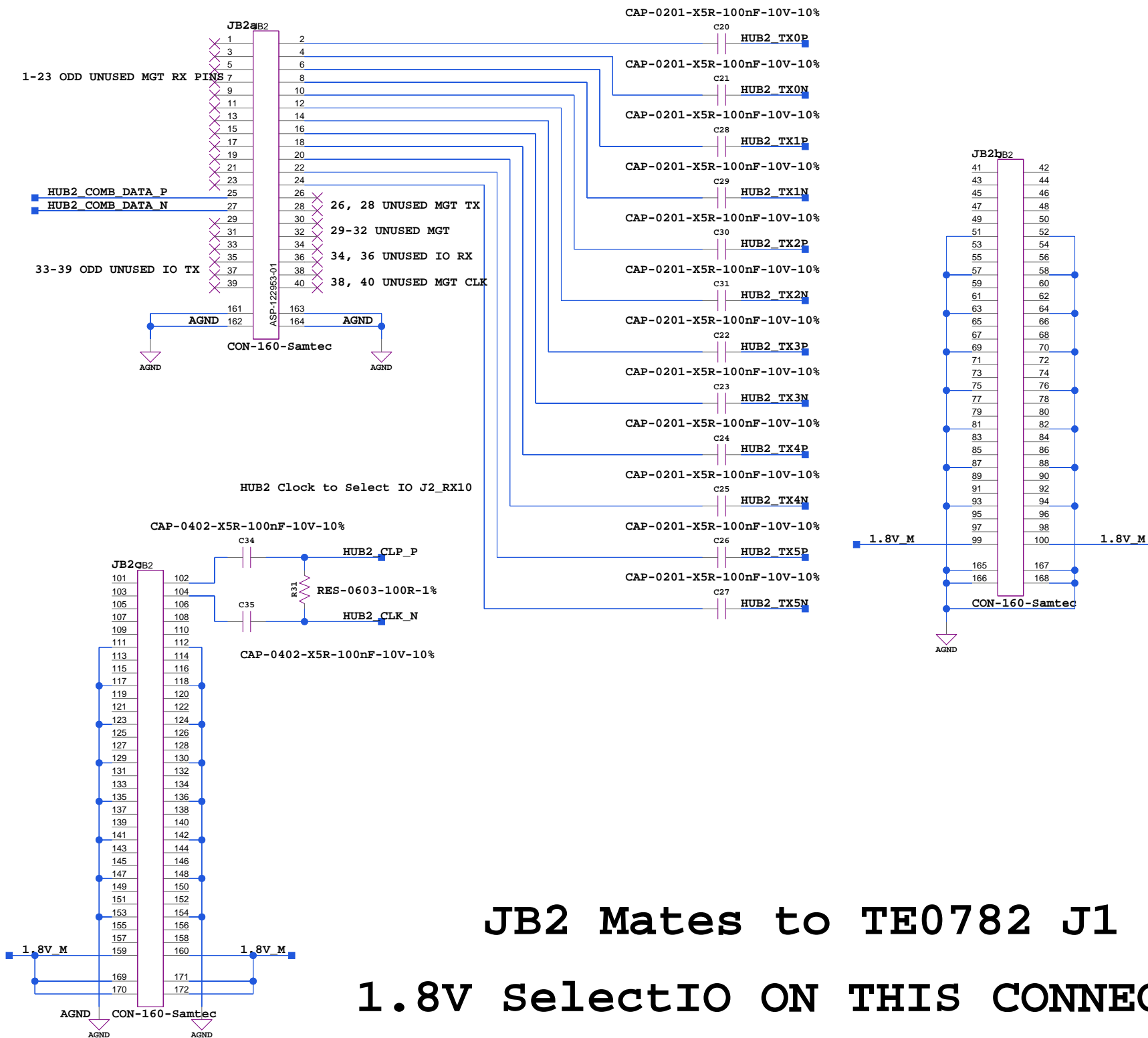


JB1 Mates to TE0782 J2

4.7kohm isolation resistors to SelectIO Rx P pins, Rx N pins grounded

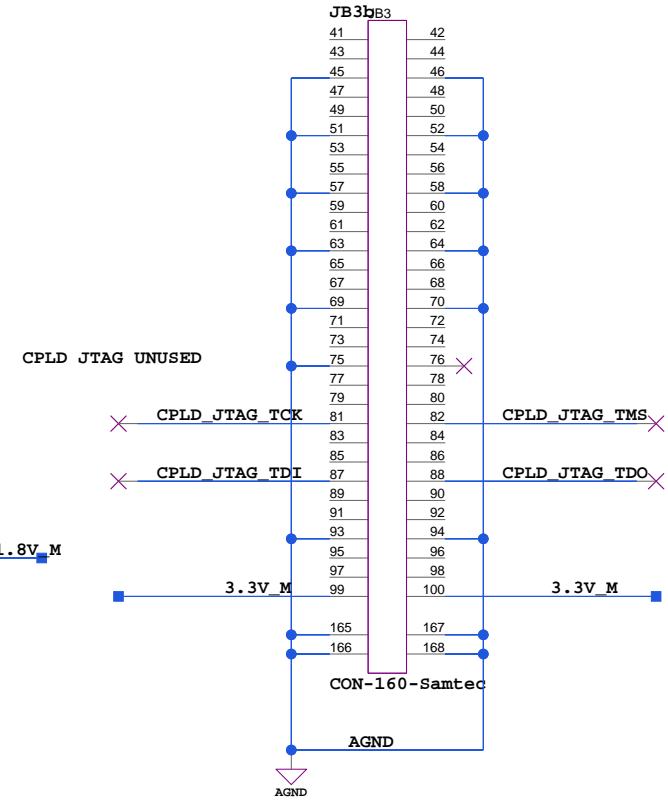
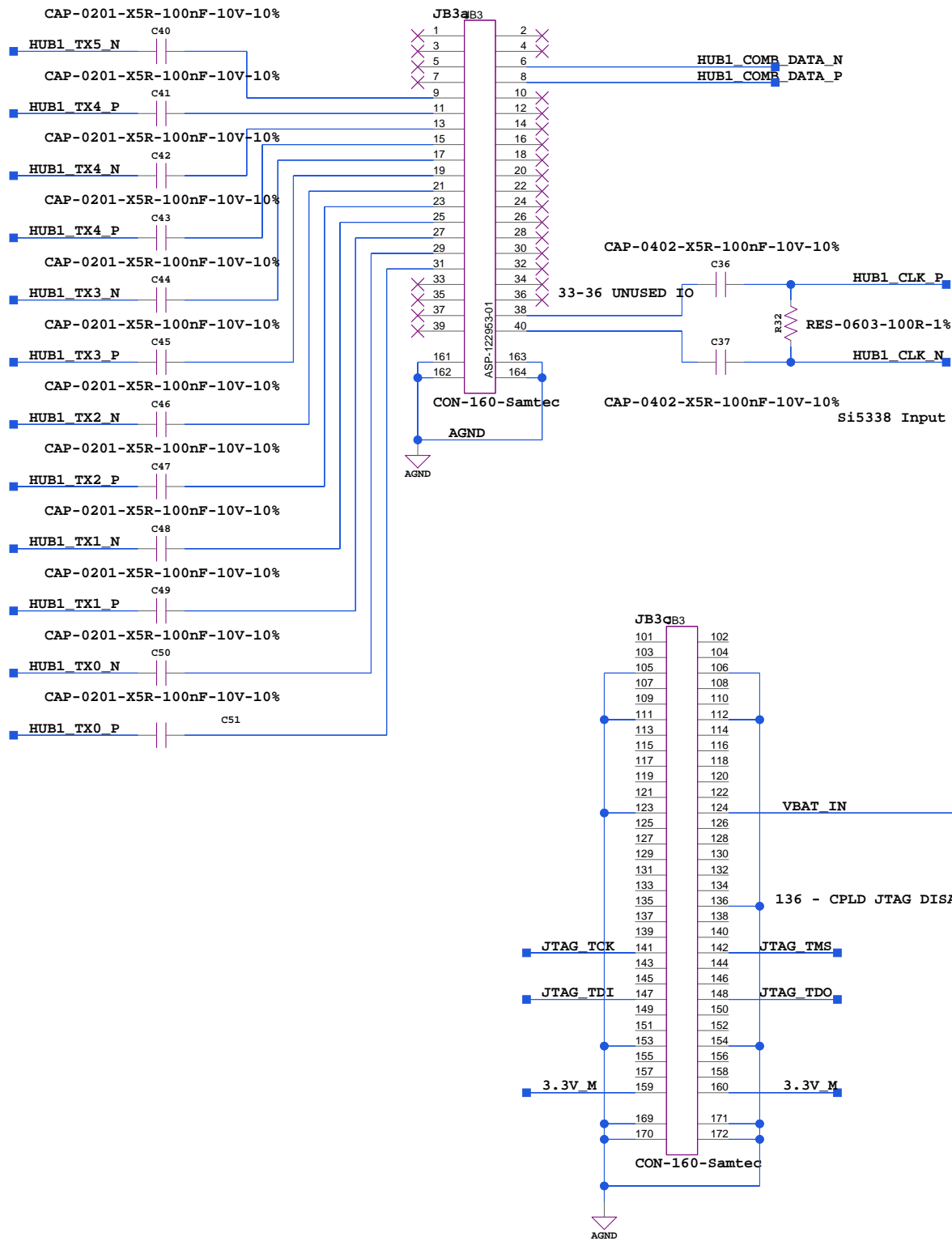


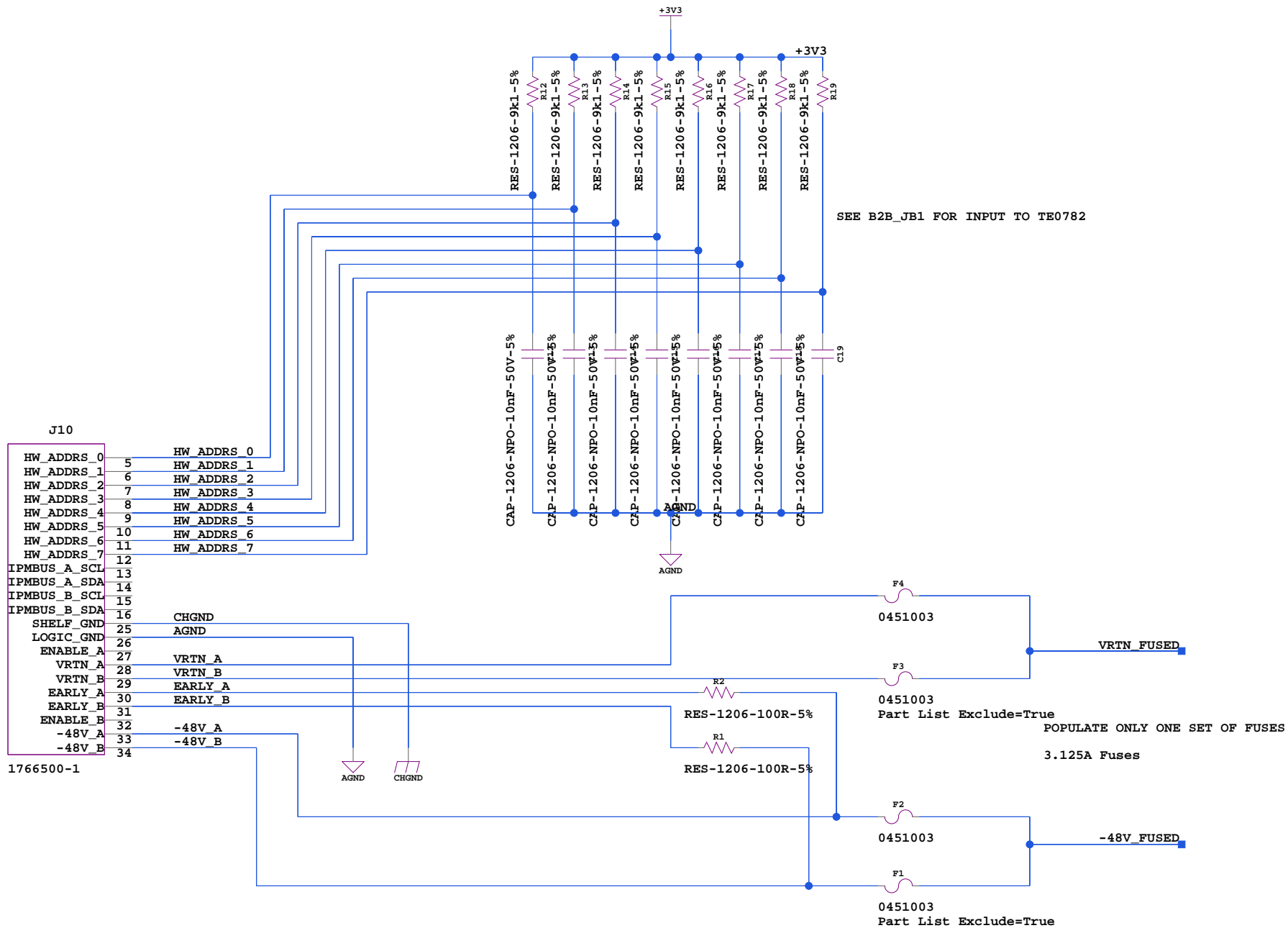


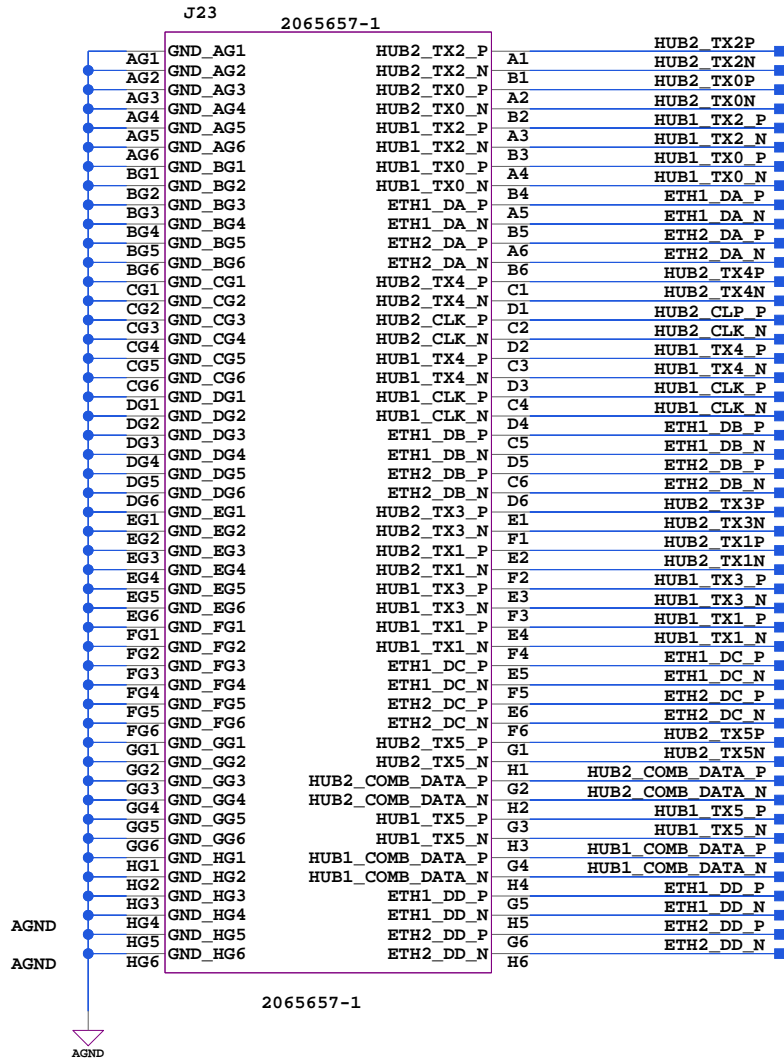
JB2 Mates to TE0782 J1

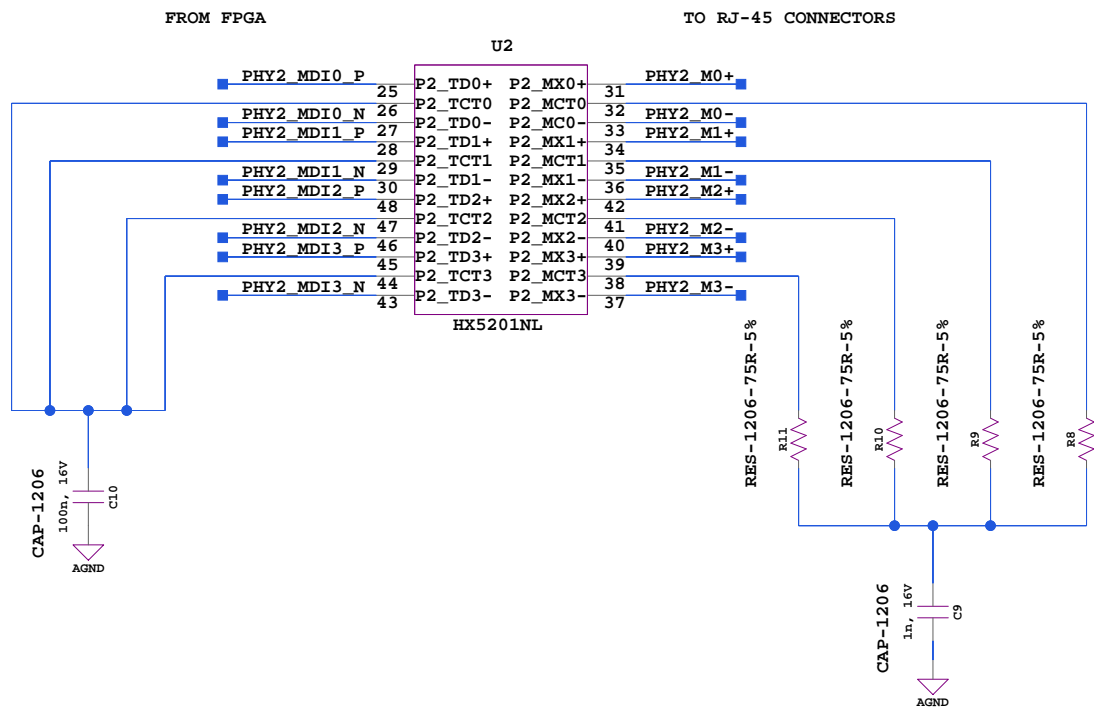
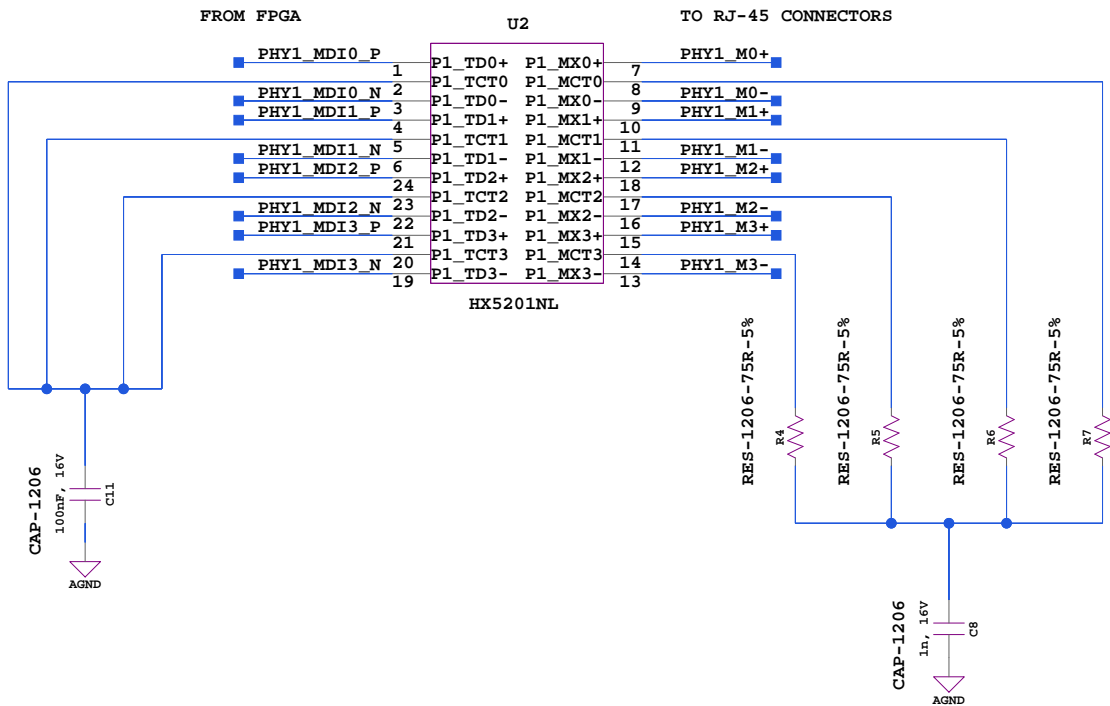
1.8V SelectIO ON THIS CONNECTOR ONLY

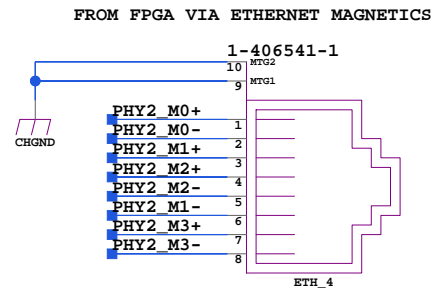
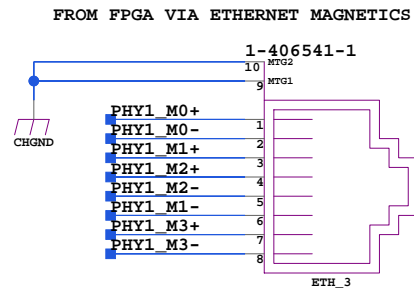
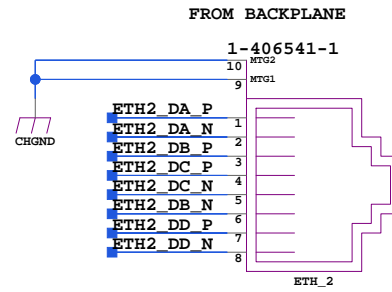
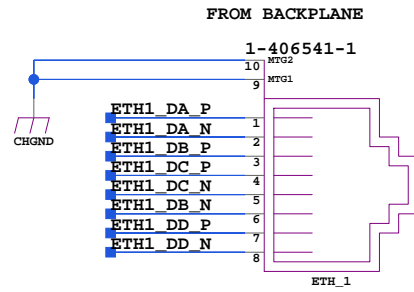
JB3 Mates to TE0782 J3











Buffer decoupling capacitors

