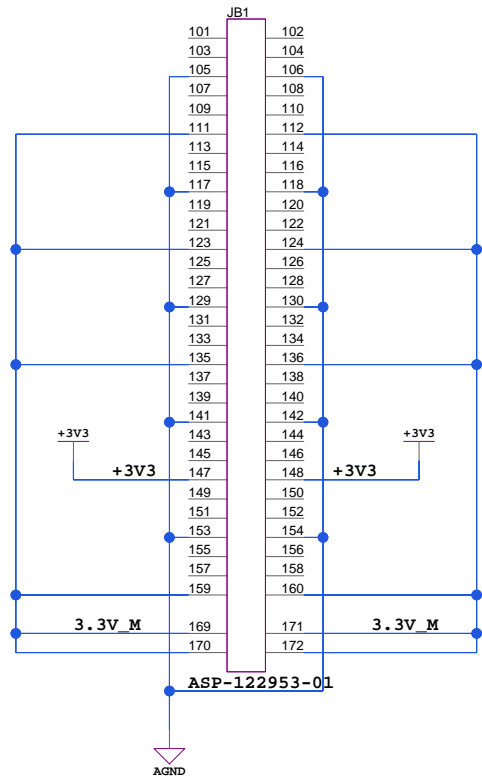
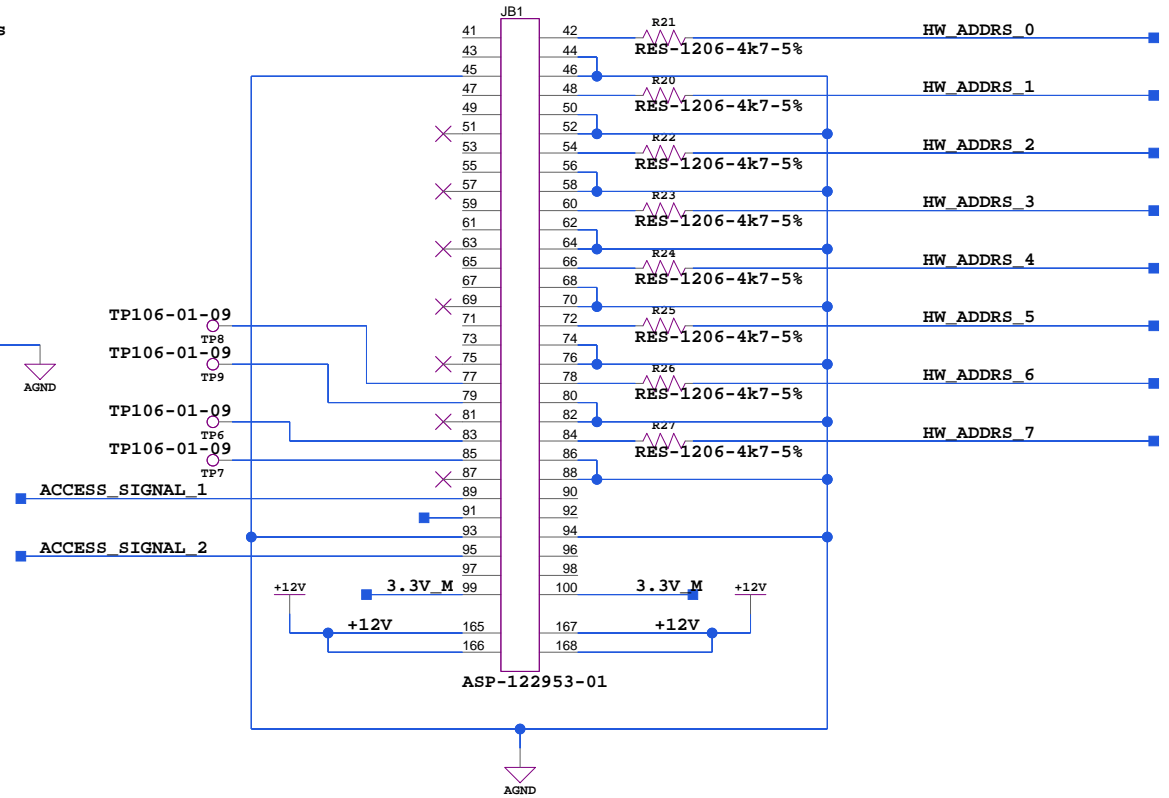
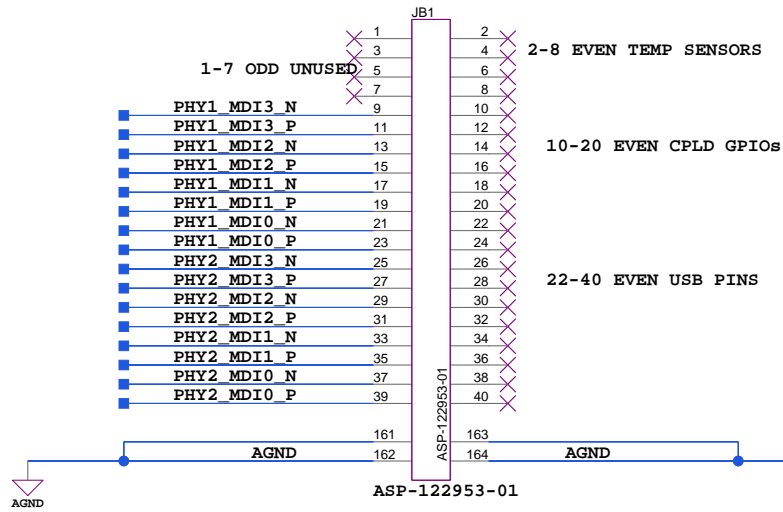
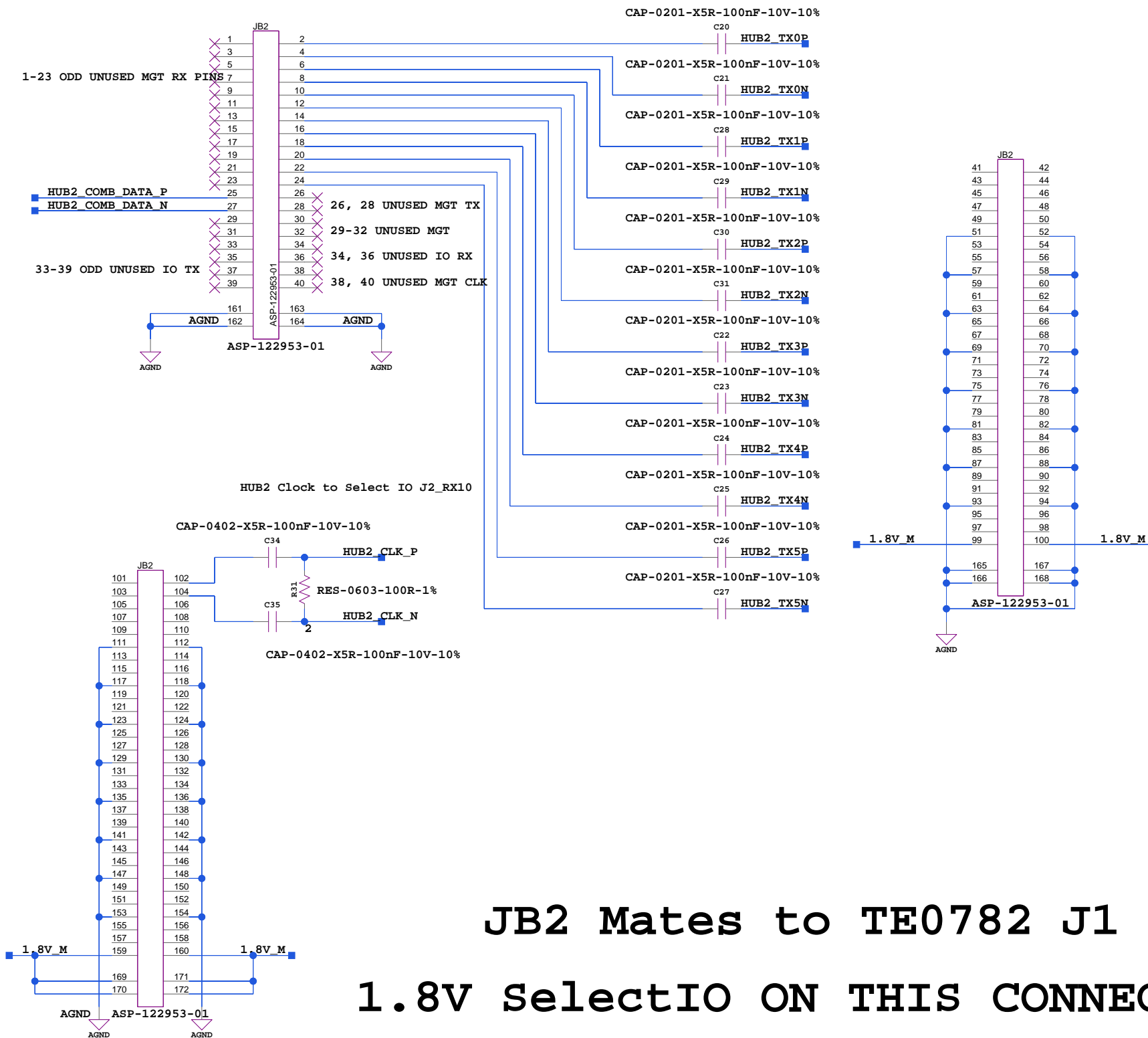


JB1 Mates to TE0782 J2

4.7kohm isolation resistors to SelectIO Rx P pins, Rx N pins grounded

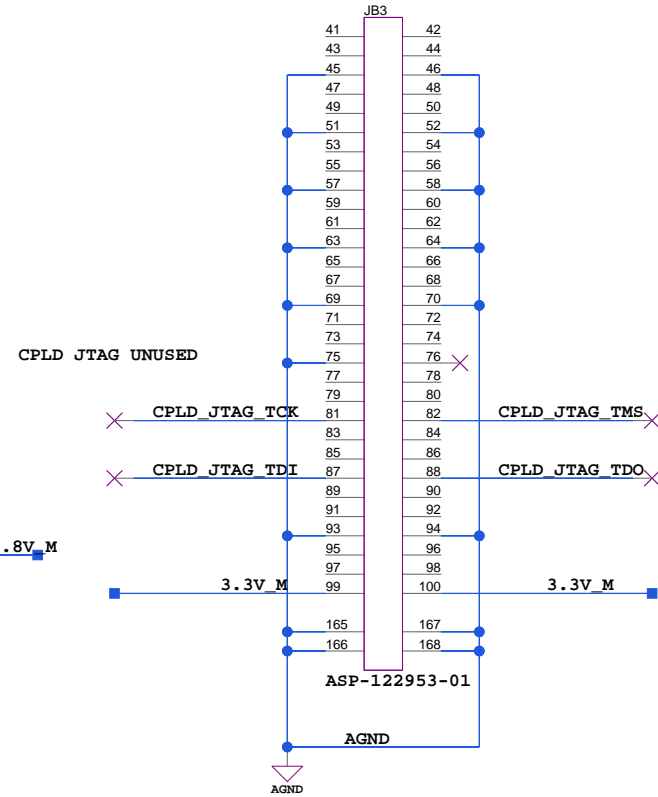
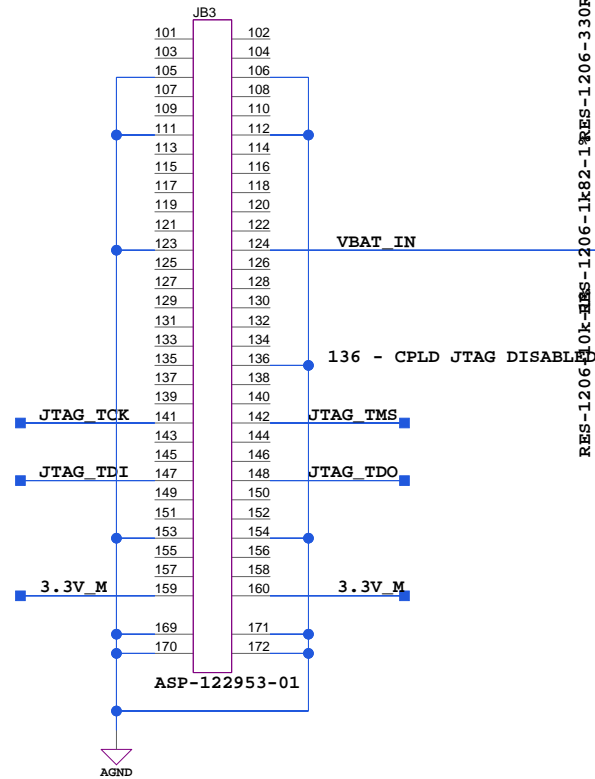
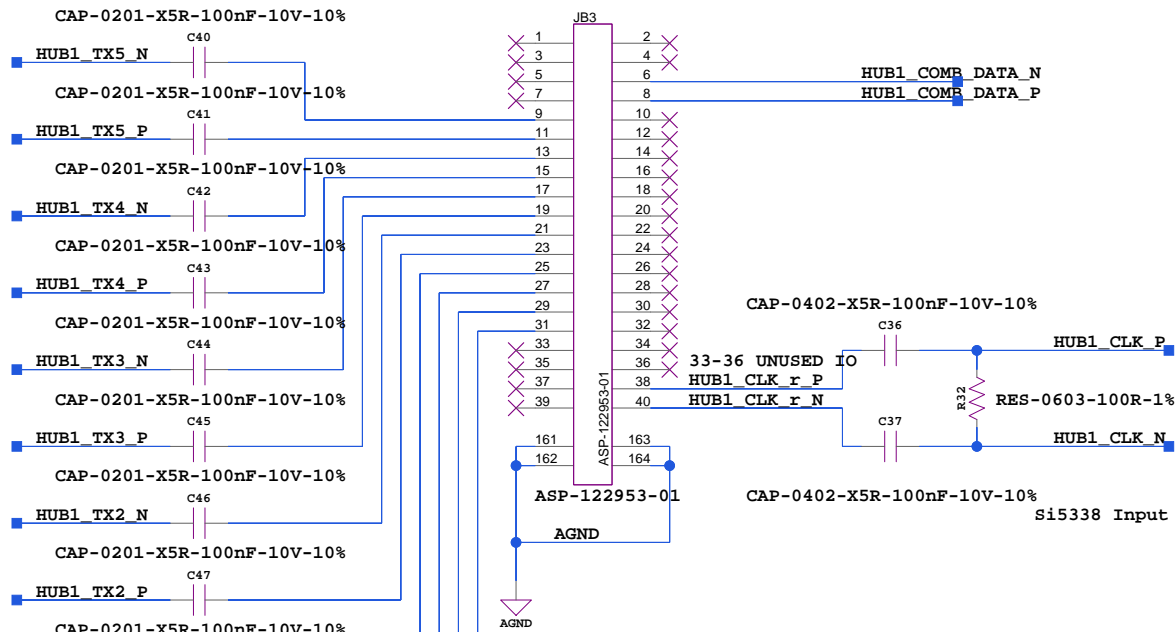


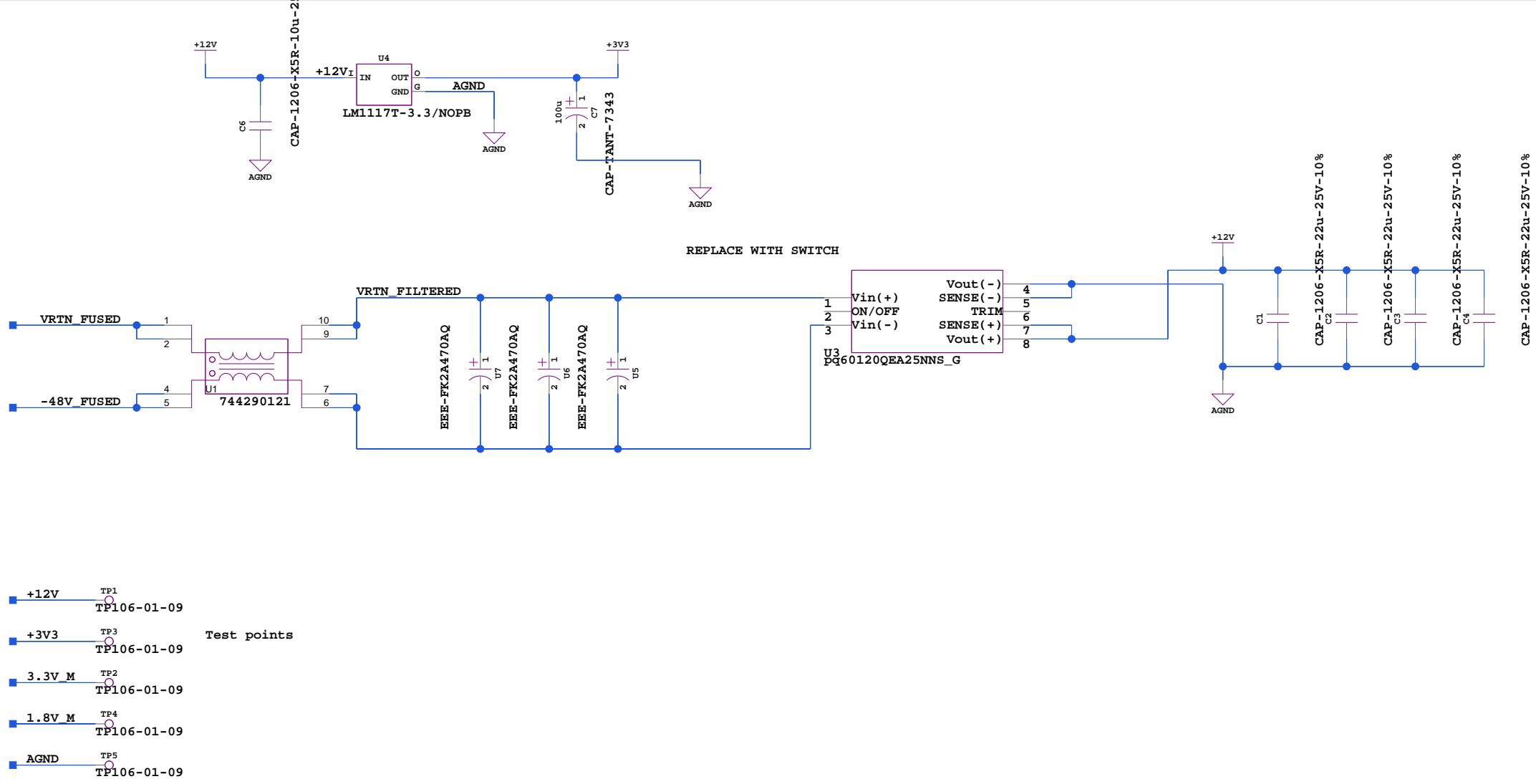


JB2 Mates to TE0782 J1

1.8V SelectIO ON THIS CONNECTOR ONLY

JB3 Mates to TE0782 J3





Test points

REPLACE WITH SWITCH

