

1

2

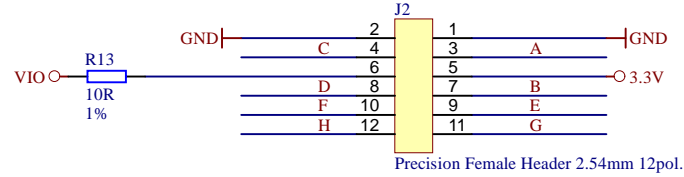
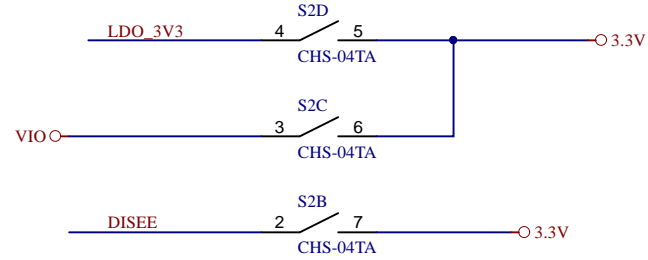
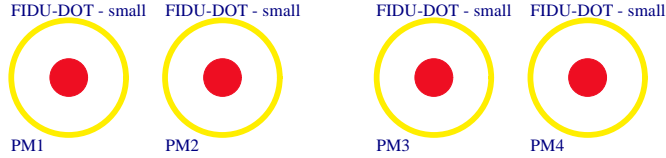
3

4

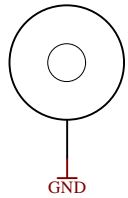
U_SystemController
SystemController.SchDoc



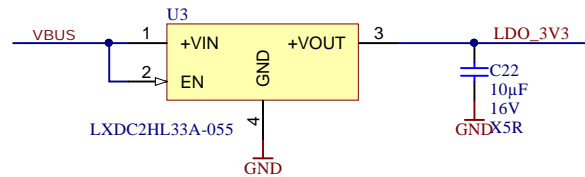
U_FTDI
FTDI.SchDoc



Mount.Hole 3.2mm



Serial
Serialnumber 6,3 x 6.3mm



Title: XMOD FT2232H		
A4	Number: XMOD FT2232H TE0790-02	Rev. 02
Date: 2015-01-06	Copyright: Trenz Electronic GmbH	Page1 of 3
Filename: XMOD_FT2232H.SchDoc		

1

2

3

4

A

A

B

B

C

C

D

D

1

2

3

4

A

A

B

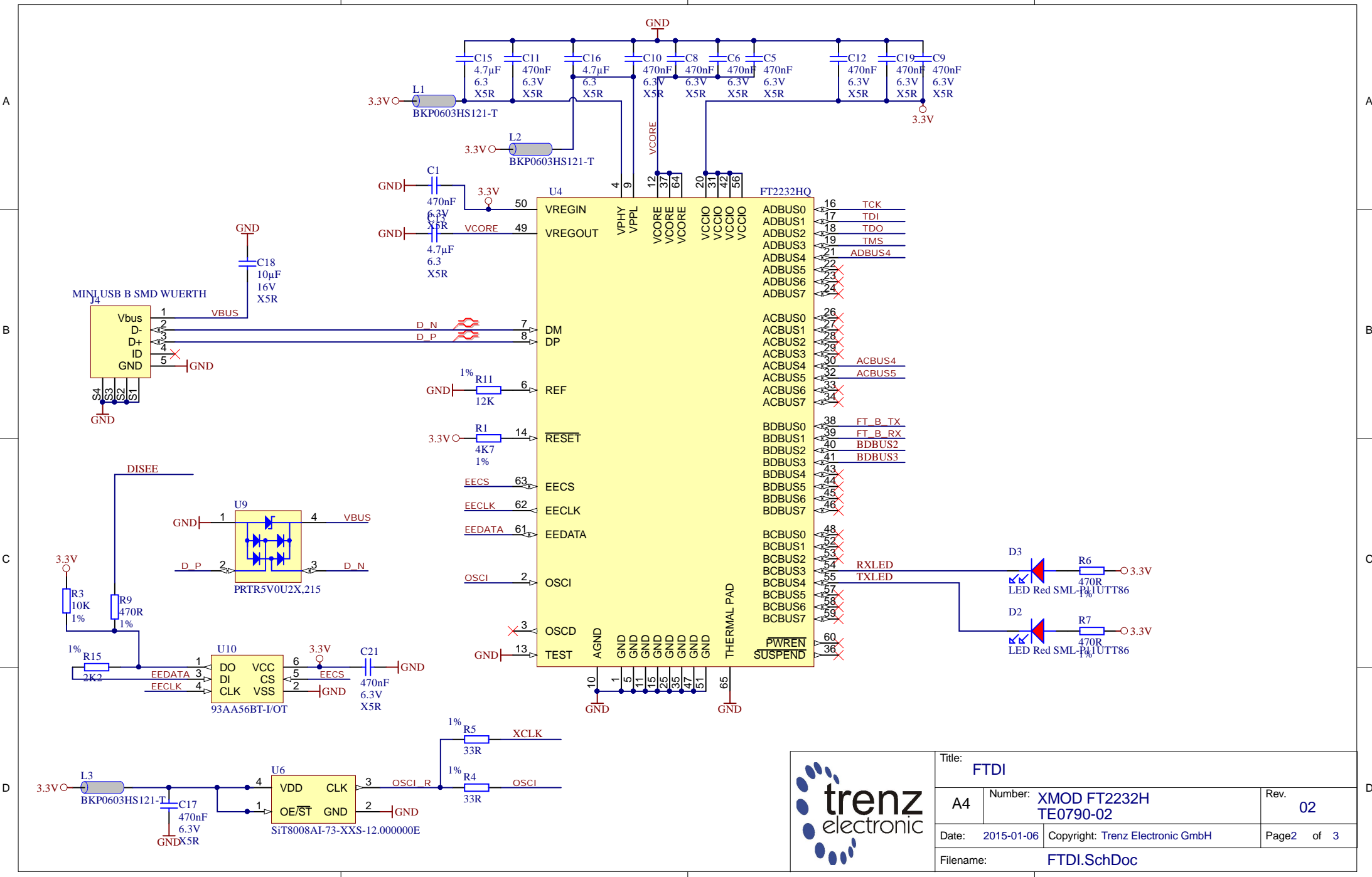
B

C

C

D

D



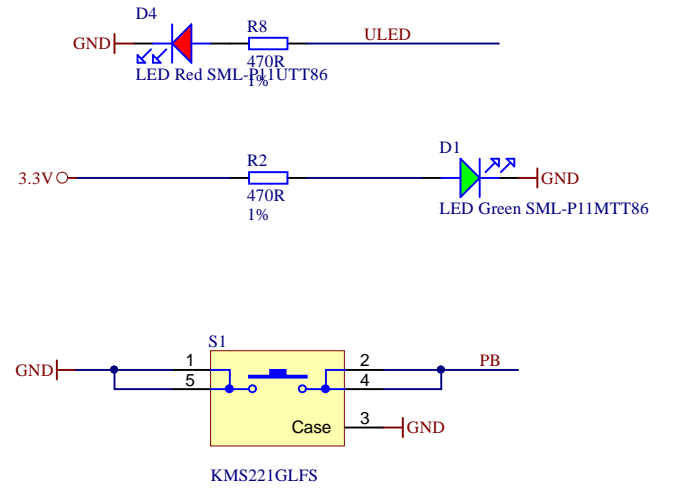
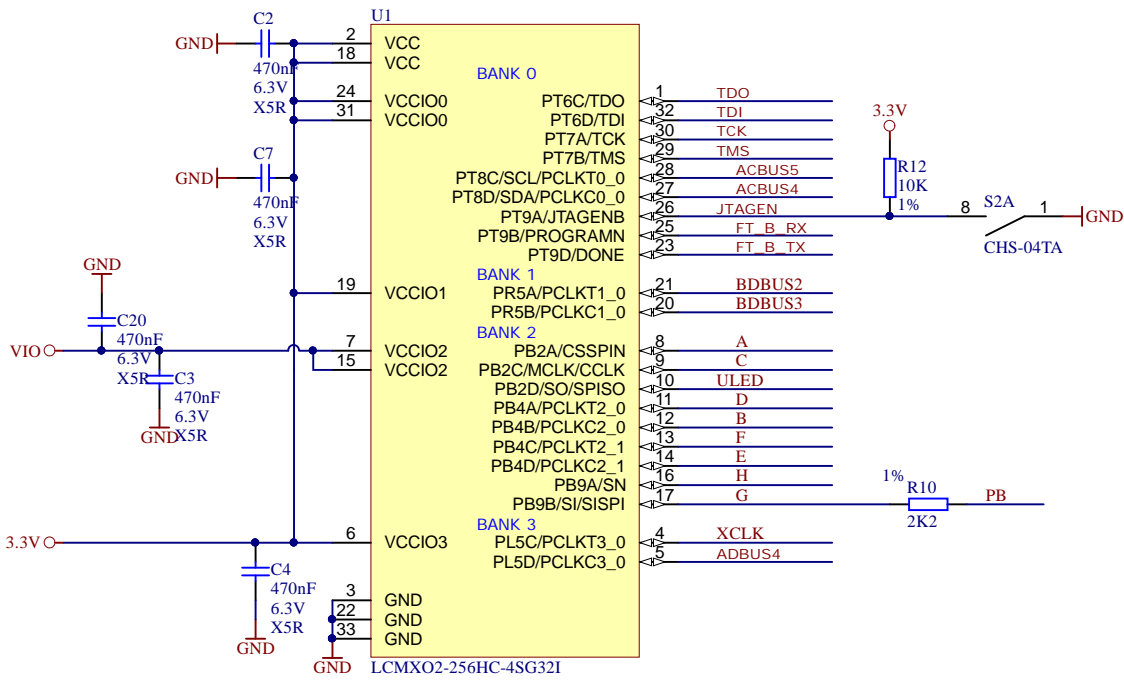
Title: FTDI		
A4	Number: XMOD FT2232H TE0790-02	Rev. 02
Date: 2015-01-06	Copyright: Trenz Electronic GmbH	Page2 of 3
Filename: FTDI.SchDoc		

1

2

3

4



Title: CPLD		
A4	Number: XMOD FT2232H TE0790-02	Rev. 02
Date: 2015-01-06	Copyright: Trenz Electronic GmbH	Page 3 of 3
Filename: SystemController.SchDoc		