

1

2

3

4

U\_FPGA\_B2B\_Connectors  
FPGA\_B2B\_Connectors.SchDoc



Ethernet  
Ethernet.SchDoc



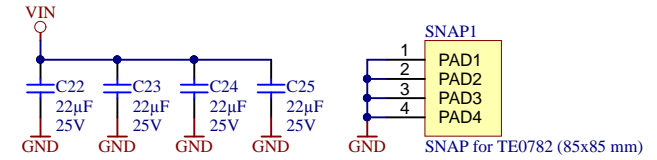
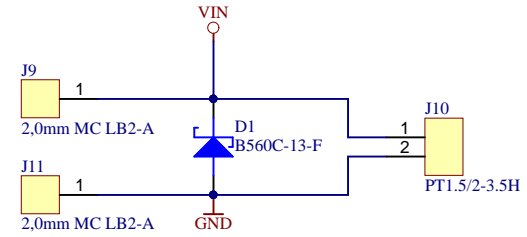
U\_EXT\_IO  
EXT\_IO.SchDoc



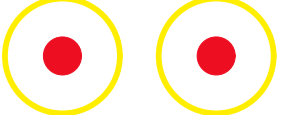
U\_USB  
USB.SchDoc



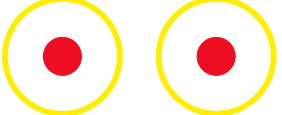
U\_POWER  
Power.schdoc



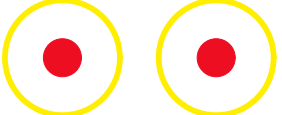
FIDU-DOT - small FIDU-DOT - small



PNDU-DOT - small PNDU-DOT - small

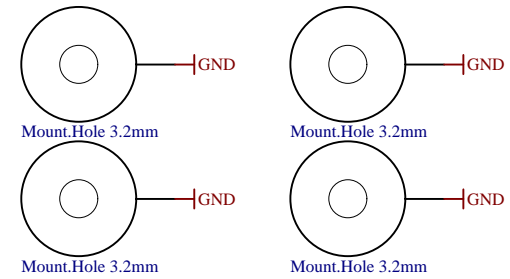


PNDU-DOT - small PNDU-DOT - small

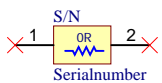



PM5

PM6



Serial  
Serial  
Serialnumber 6,3 x 6.3mm



	Title: <b>TEBT0782</b>		
	A4	Number: <b>TEBT0782 Default</b>	Rev. <b>01</b>
	Date: <b>2015-10-30</b>	Copyright: <b>Trenz Electronic GmbH</b>	Page1 of 9
	Filename: <b>TEBT0782.SchDoc</b>		

1

2

3

4

1

2

3

4

A

A

B

B

C

C

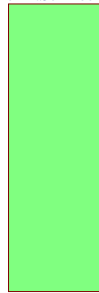
D

D

U\_JB2  
JB2.SchDoc



U\_JB1  
JB1.SchDoc



U\_JB3  
JB3.SchDoc



Title: <b>TEBT0782 - FPGA B2B Connectors</b>		
A4	Number: <b>TEBT0782 Default</b>	Rev. <b>01</b>
Date: <b>2015-10-30</b>	Copyright: <b>Trenz Electronic GmbH</b>	Page <b>2</b> of <b>9</b>
Filename: <b>FPGA_B2B_Connectors.SchDoc</b>		

1

2

3

4

1

2

3

4

A

A

B

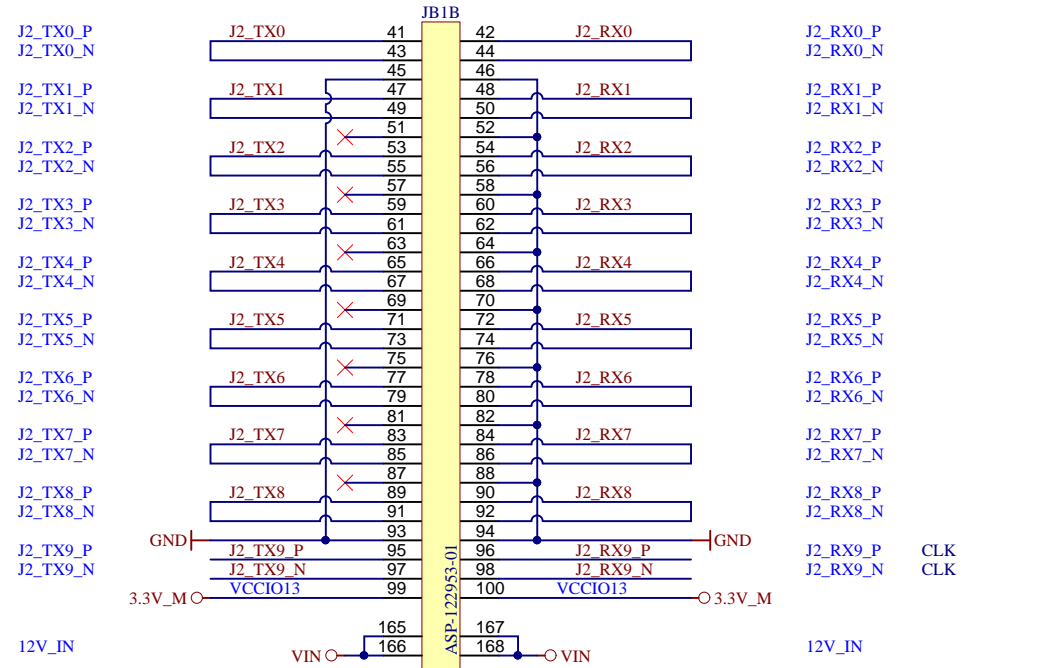
B

C

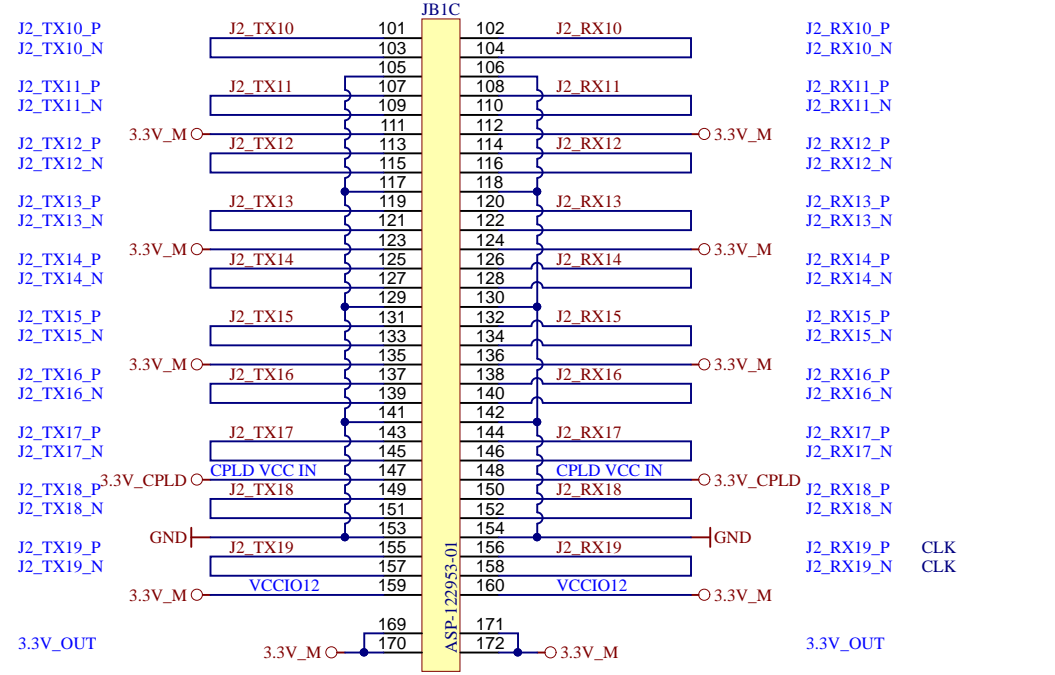
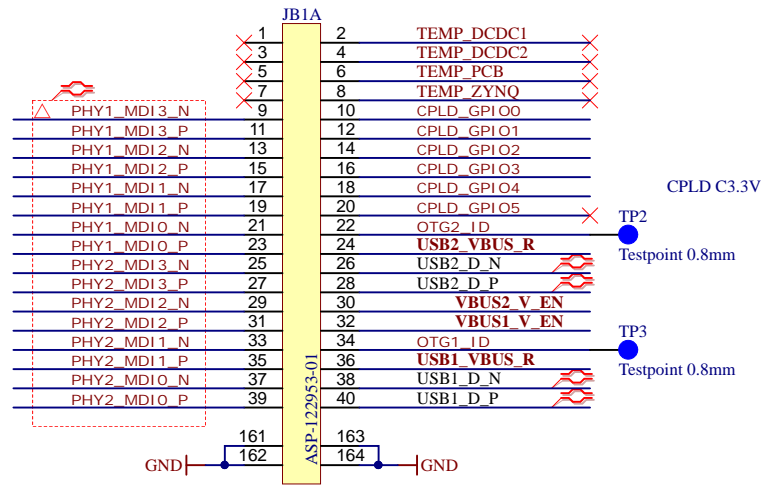
C

D

D



PHY1\_MDI3\_N  
 PHY1\_MDI3\_P  
 PHY1\_MDI2\_N  
 PHY1\_MDI2\_P  
 PHY1\_MDI1\_N  
 PHY1\_MDI1\_P  
 PHY1\_MDI0\_N  
 PHY1\_MDI0\_P  
 PHY2\_MDI3\_P  
 PHY2\_MDI2\_N  
 PHY2\_MDI2\_P  
 PHY2\_MDI1\_N  
 PHY2\_MDI1\_P  
 PHY2\_MDI0\_N  
 PHY2\_MDI0\_P



Title: <b>TEBT0782 - FPGA B2B Connectors JB1</b>		
A4	Number: <b>TEBT0782 Default</b>	Rev. <b>01</b>
Date: <b>2015-10-30</b>	Copyright: <b>Trenz Electronic GmbH</b>	Page <b>3</b> of <b>9</b>
Filename: <b>JB1.SchDoc</b>		

1

2

3

4

1

2

3

4

A

A

B

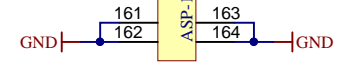
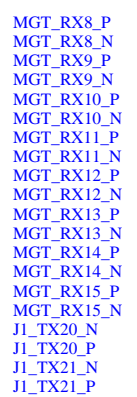
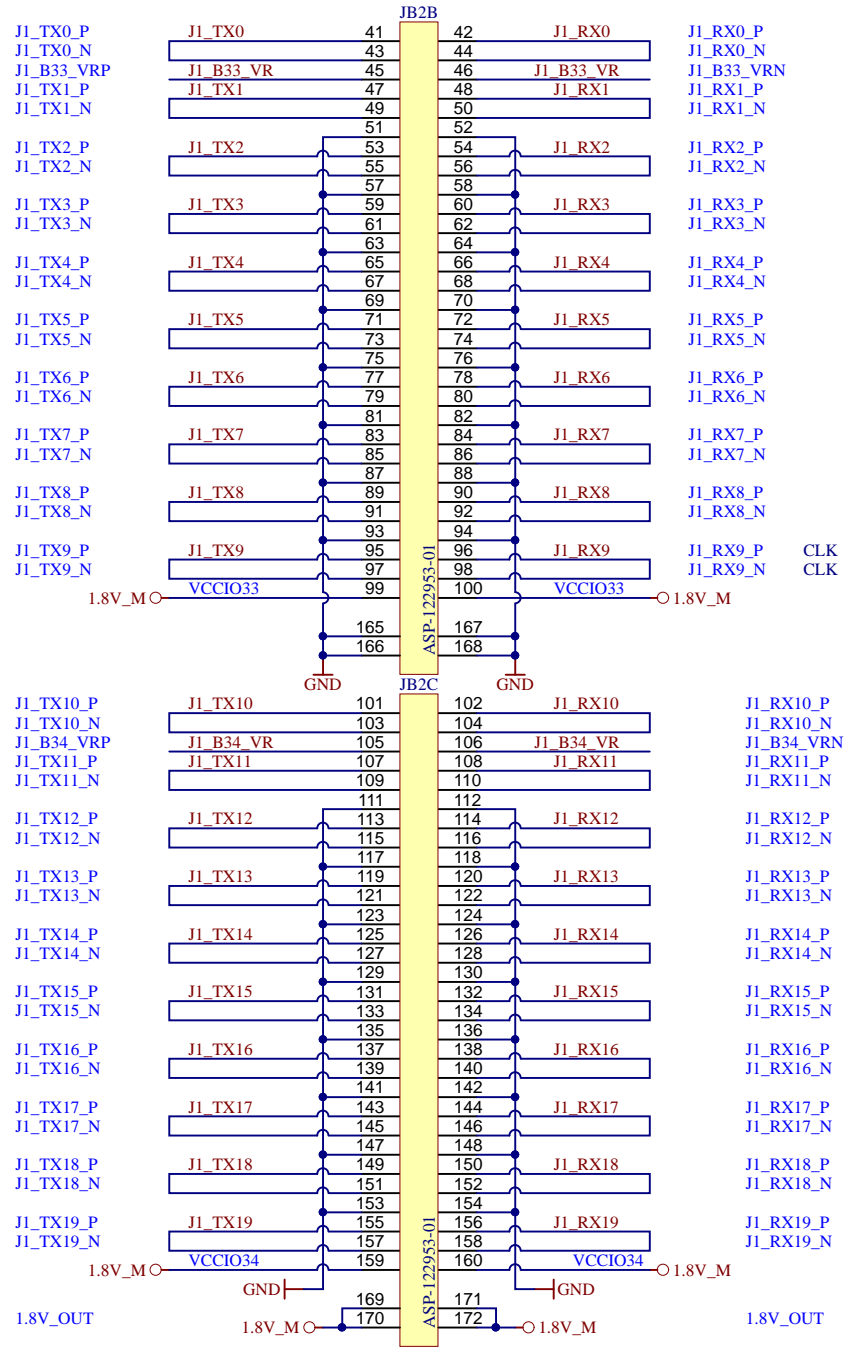
B

C

C

D

D



Title: <b>TEBT0782 - FPGA B2B Connectors JB2</b>		
A4	Number: <b>TEBT0782 Default</b>	Rev. <b>01</b>
Date: <b>2015-10-30</b>	Copyright: <b>Trenz Electronic GmbH</b>	Page <b>4</b> of <b>9</b>
Filename: <b>JB2.SchDoc</b>		

1

2

3

4

1

2

3

4

A

A

B

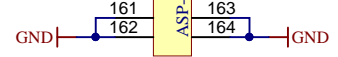
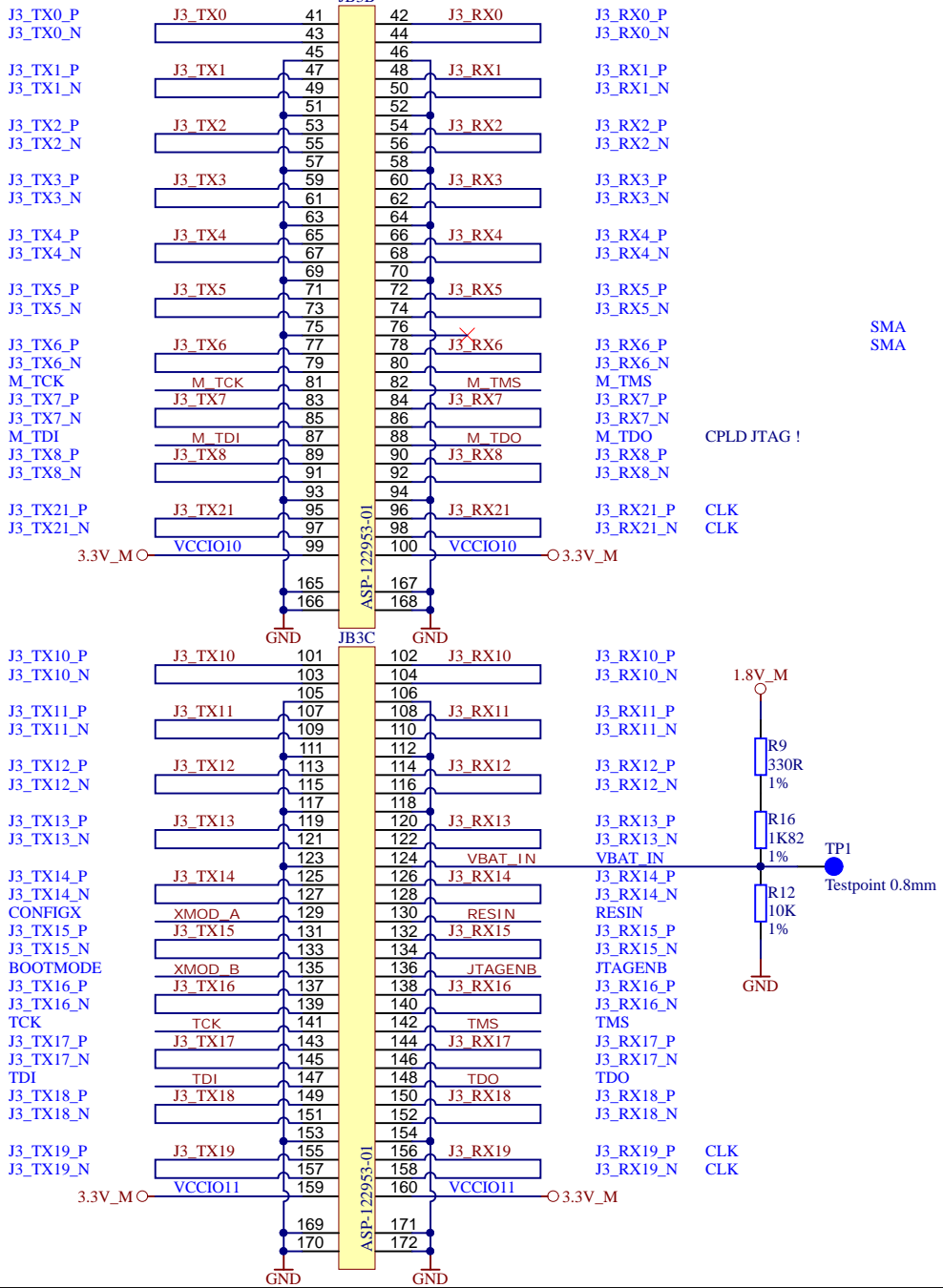
B

C

C

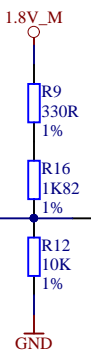
D

D



CPLD JTAG !

CLK  
CLK



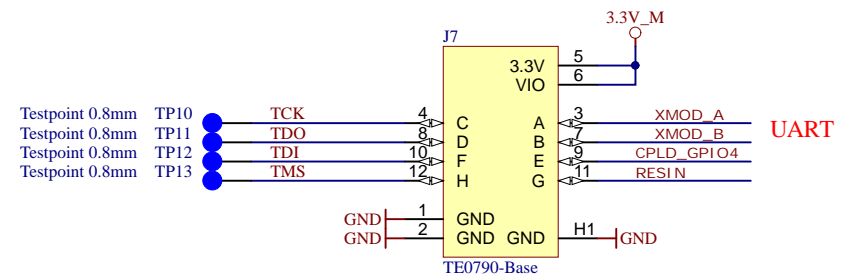
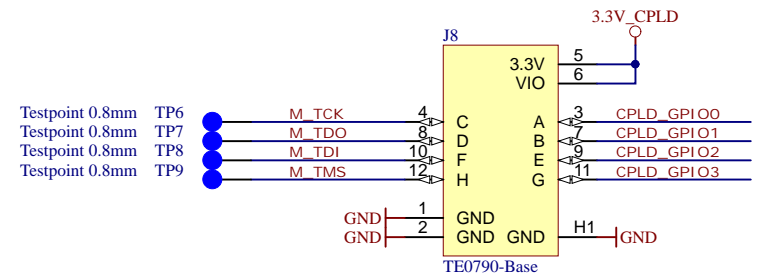
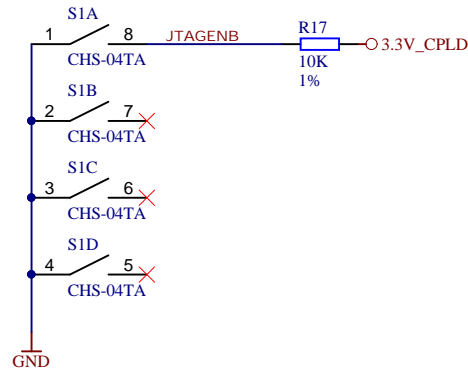
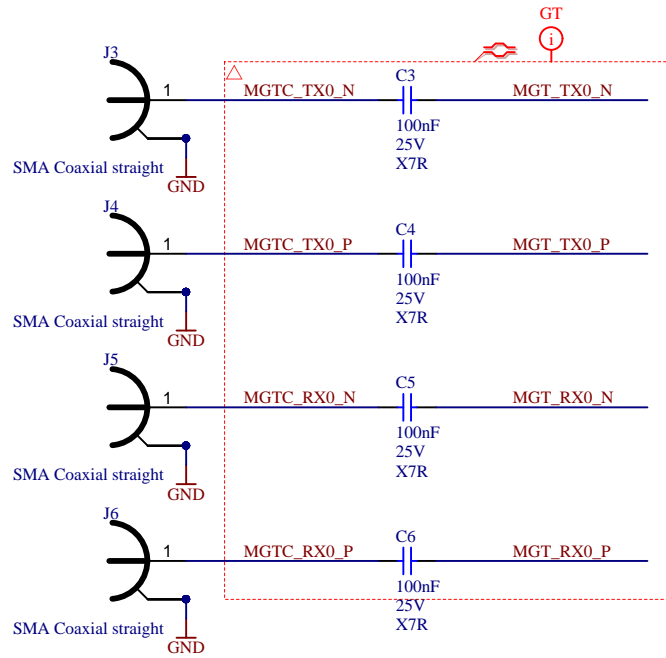
Title: TEBT0782 - FPGA B2B Connectors JB3		
A4	Number: TEBT0782 Default	Rev. 01
Date: 2015-10-30	Copyright: Trenz Electronic GmbH	Page5 of 9
Filename: JB3.SchDoc		

1

2

3

4



	Title: <b>TEBT0782 - External IO</b>		
	A4	Number: <b>TEBT0782 Default</b>	Rev. <b>01</b>
	Date: <b>2015-10-30</b>	Copyright: <b>Trenz Electronic GmbH</b>	Page <b>6</b> of <b>9</b>
	Filename: <b>EXT_IO.SchDoc</b>		

1

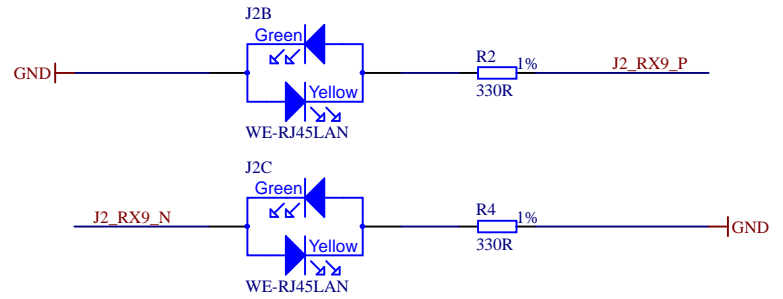
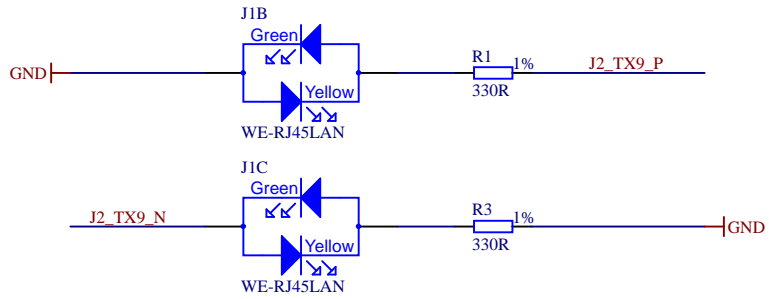
2

3

4

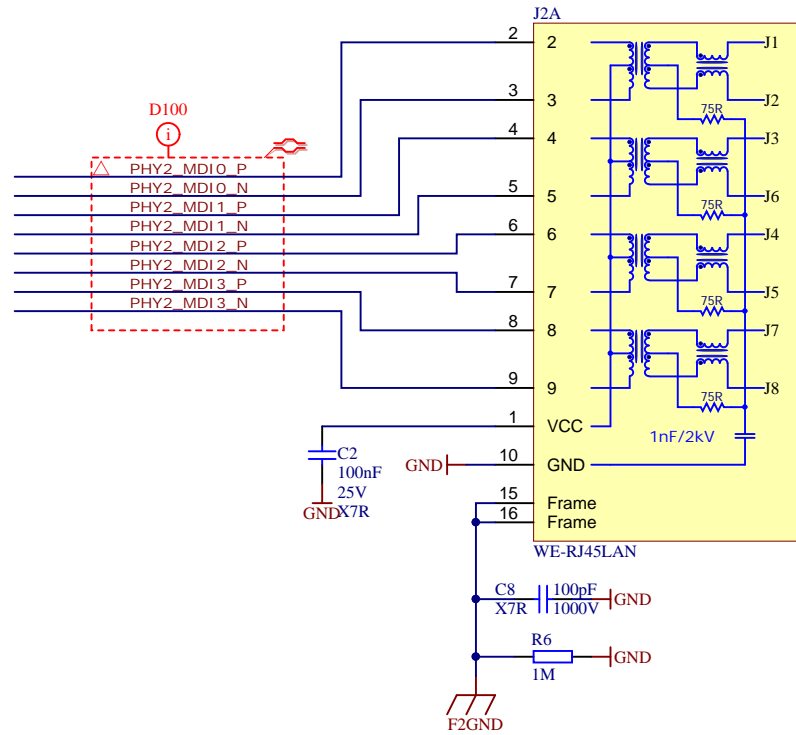
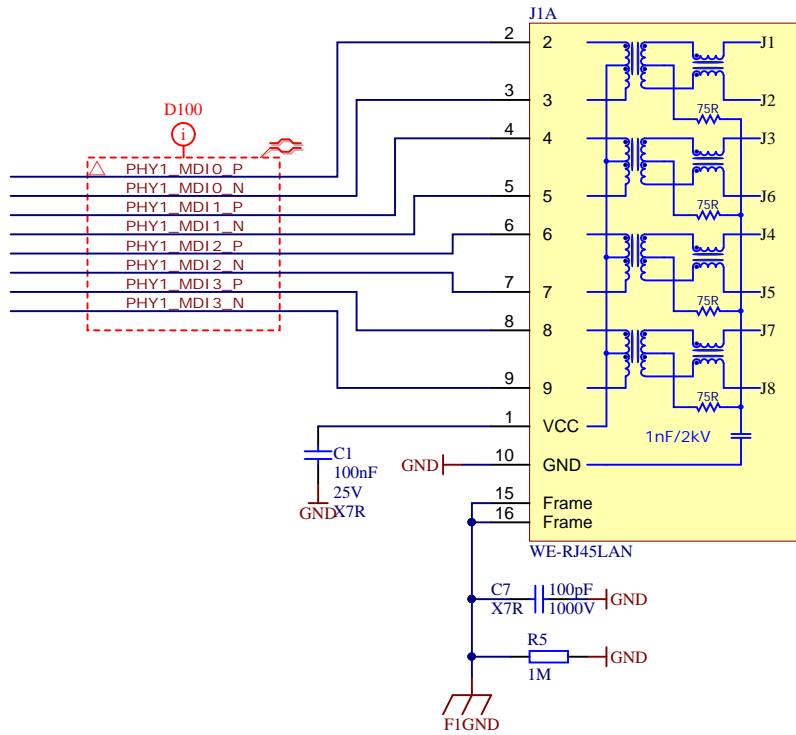
A

A



B

B



C

C

D

D



Title: <b>TEBT0782 - Ethernet</b>		
A4	Number: <b>TEBT0782 Default</b>	Rev. <b>01</b>
Date: <b>2015-10-30</b>	Copyright: <b>Trenz Electronic GmbH</b>	Page <b>7</b> of <b>9</b>
Filename: <b>Ethernet.SchDoc</b>		

1

2

3

4

1

2

3

4

A

A

B

B

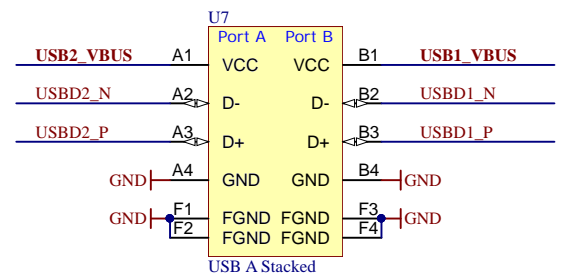
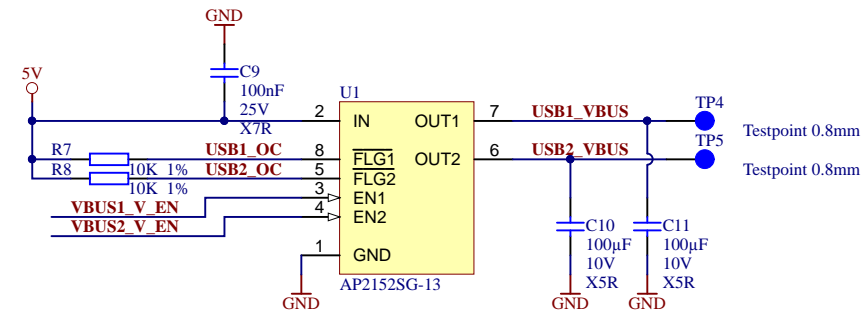
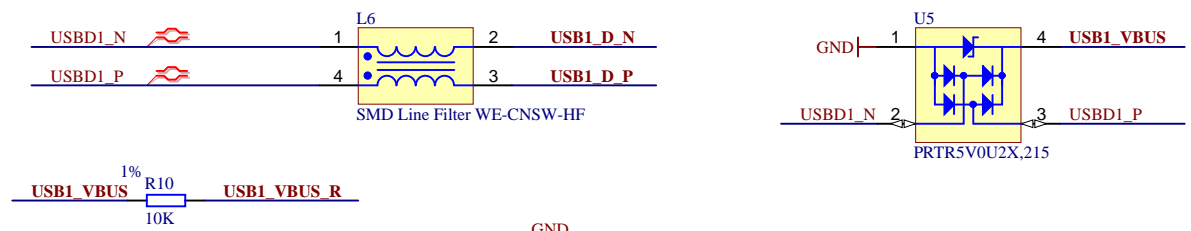
C

C

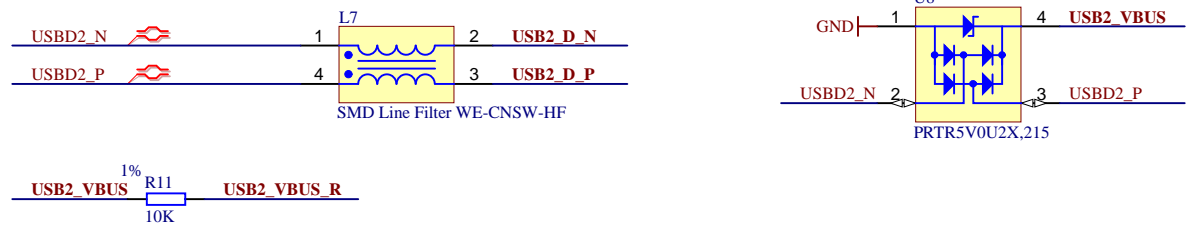
D

D

USB 1



USB 2



Title: <b>TEBT0782 - USB</b>		
A4	Number: <b>TEBT0782 Default</b>	Rev. <b>01</b>
Date: <b>2015-10-30</b>	Copyright: <b>Trenz Electronic GmbH</b>	Page <b>8</b> of <b>9</b>
Filename: <b>USB.SchDoc</b>		

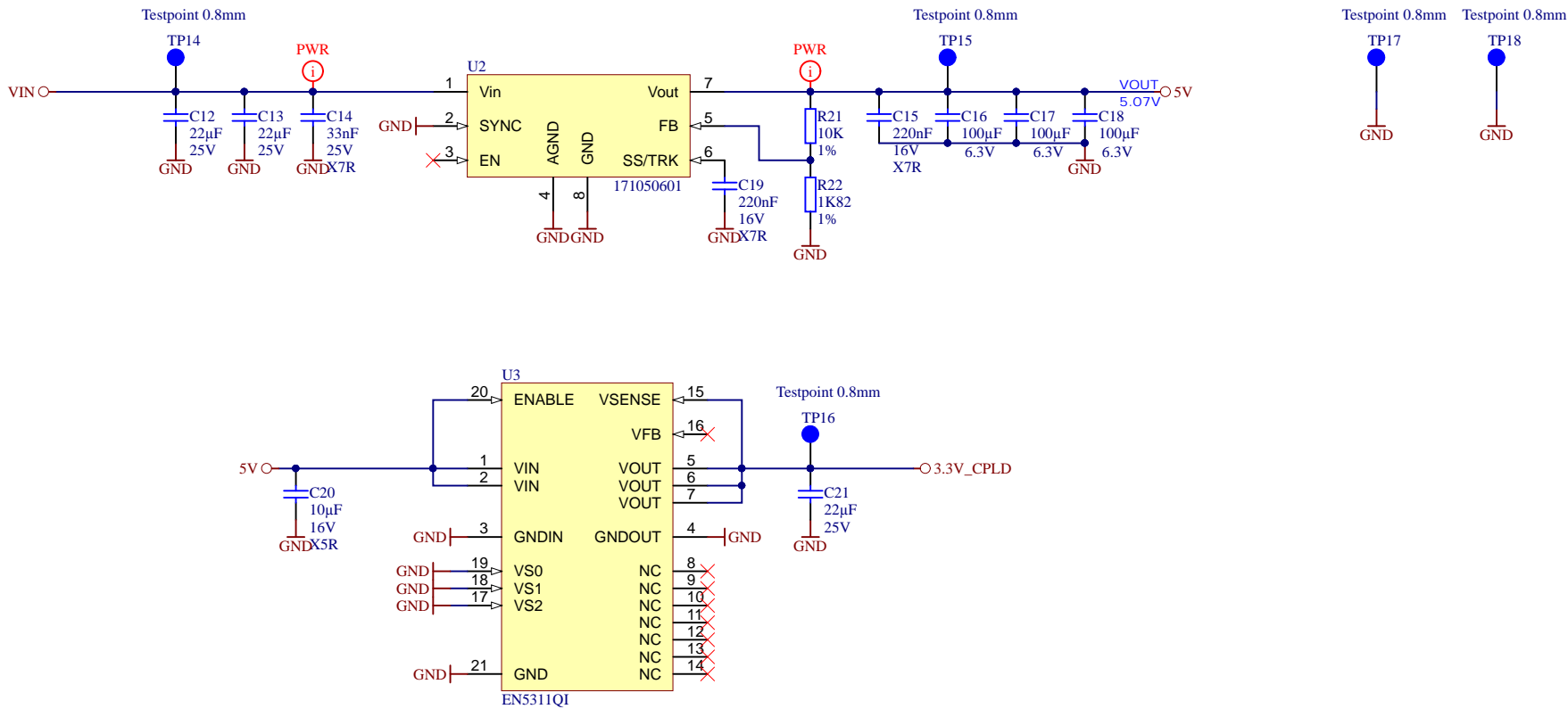
1

2

3

4





Title: <b>TEBT0782 - Power</b>		
A4	Number: <b>TEBT0782 Default</b>	Rev. <b>01</b>
Date: <b>2016-08-29</b>	Copyright: <b>Trenz Electronic GmbH</b>	Page <b>9</b> of <b>9</b>
Filename: <b>Power.schdoc</b>		