


NOTES: UNLESS OTHERWISE SPECIFIED

1.

| | |
|---------|---|
| NOTICE: | THIS IS A RoHS COMPLIANT AND HALOGEN FREE COMPONENT/PRODUCT. ALL ENGINEERING CHANGES MUST HAVE PRIOR APPROVAL BY THE DESIGN CENTER. |
| RoHS |  |

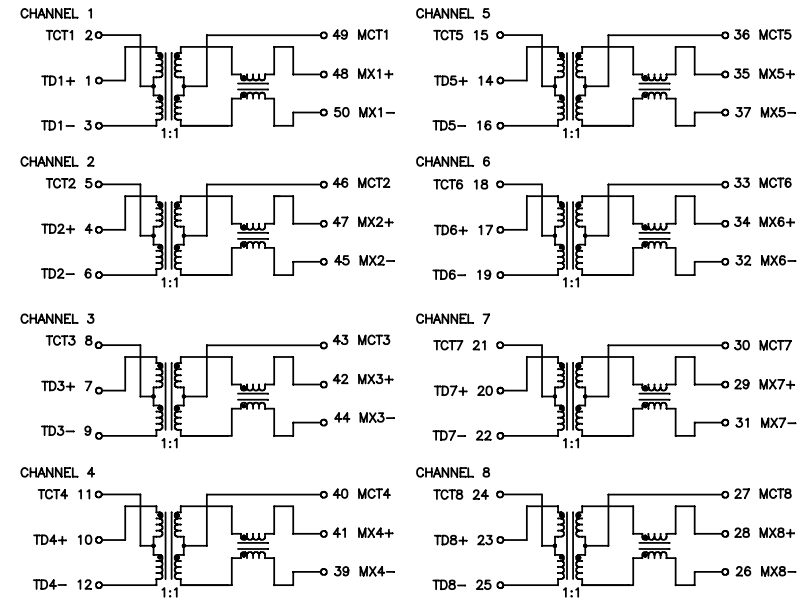
2. PLASTIC HEADER: THERMOPLASTIC MATERIAL WITH FLAMMABILITY RATING UL 94V-0 OR BETTER.
3. SOLDERABILITY: CONFORMS TO ANSI/J-STD-002, IPC/EIA J-STD-003A.
4. OPERATING TEMPERATURE: -40°C TO +85°C
5. STORAGE TEMPERATURE: -50°C TO +125°C
6. JEDEC MOISTURE: LEVEL 1.
7. ALL DIMENSION ARE SHOWN IN INCHES WITH THE FOLLOWING TOLERANCES APPLY:
 .XX = ±0.01
 .XXX = ±0.005



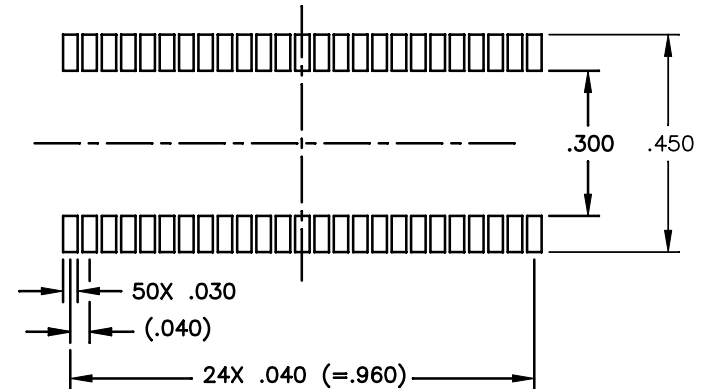
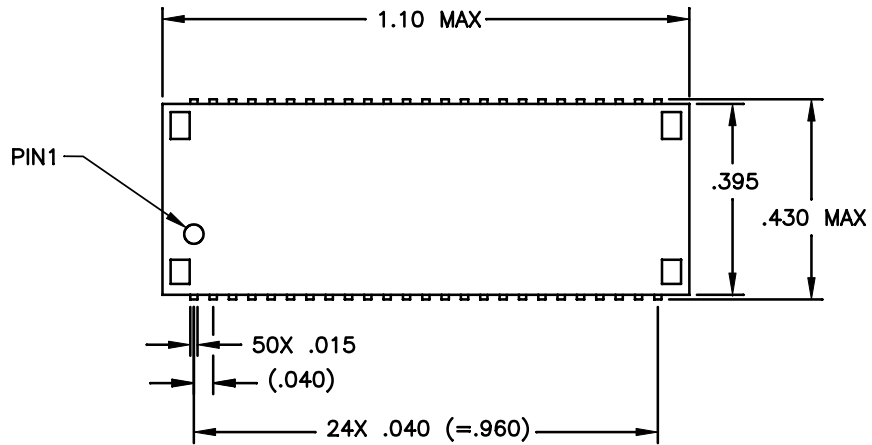
ELECTRICAL CHARACTERISTICS:
ELECTRICAL: @ +25°C

| PARAMETER | SPECIFICATIONS | |
|--|---|--|
| | 100 KHz | 1-125 MHz |
| INSERTION LOSS | -1.2 dB MAX | -0.2-0.002*f ^{1.4} dB MAX |
| RETURN LOSS (Z OUT = 100 OHM ±15%) | .1-40 MHz -16 dB MIN | 40-100 MHz -10+20*LOG ₁₀ (f/80 MHz) dB MIN |
| INDUCTANCE (OCL) (MEDIA SIDE, -40°C, +85°C) | 350 uH MIN (MEASURED AT 100 KHz, 100 mVRMS AND WITH 8 mA DC BIAS) | |
| CROSSTALK, ADJACENT CHANNELS | 1 MHz -50 dB MIN | 10-100 MHz -55+22*LOG ₁₀ (f/10) dB MIN |
| COMMON MODE REJECTION RATIO | 2 MHz -50 dB MIN | 30-200 MHz -15+20*LOG ₁₀ (f/200) dB MIN |
| DC RESISTANCE, 1/2 WINDING | .65 OHMS MAX | |
| DC RESISTANCE IMBALANCE | ±.065 OHMS MAX (CENTER TAP SYMMETRY) | |
| DC CURRENT/VOLTAGE RATING - PSE PINS | 350 mA, @ 57 V (CONTINUOUS) | |
| INPUT - OUTPUT ISOLATION | 1500 VRMS MIN @ 60 SECONDS | |

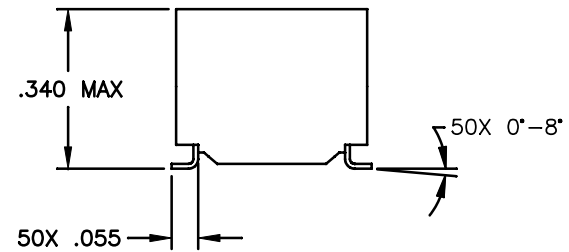
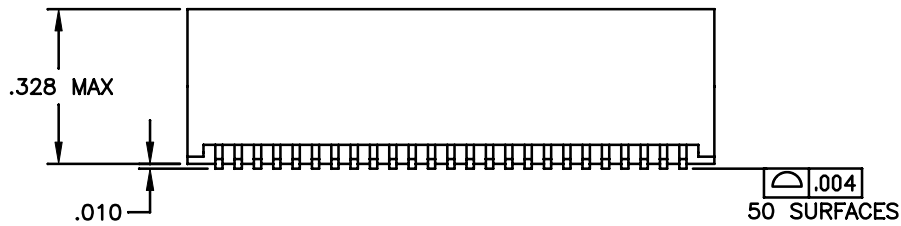
NOTE: f IS FREQUENCY IN MHZ.



| | | | | | |
|--|----------------------|---------------|--------|--------------------|------|
| PULSE CONFIDENTIAL & PROPRIETARY | PRODUCT DESCRIPTION | PS DRAWING | SHEET: | DWG. NO./ PART NO. | REV. |
| | MDL,DUAL,1GD,1:1,SMT | PS-2749.001-A | 1 | HX5020FNL | MP1 |



SUGGESTED LAND PATTERN



| | | | | | |
|--|----------------------|---------------|--------|--------------------|------|
| PULSE CONFIDENTIAL & PROPRIETARY | PRODUCT DESCRIPTION | PS DRAWING | SHEET: | DWG. NO./ PART NO. | REV. |
| | MDL,DUAL,1GD,1:1,SMT | PS-2749.001-A | 2 | HX5020FNL | MP1 |