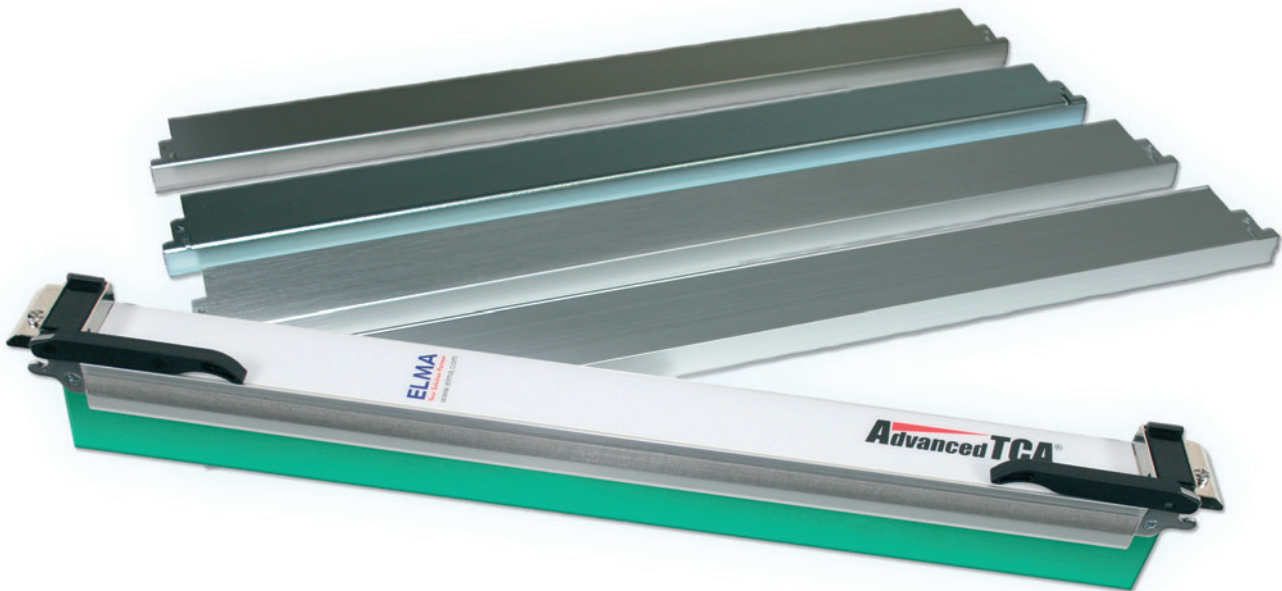


2: Front Panels for Plug-In Units



ATCA and the ATCA logo are trademarks of the PCI Industrial Computers Manufacturers Group

AdvancedTCA

- AdvancedTCA, the PICMG 3.0 family, is a new series of PICMG specifications, targeted to requirements for the next generation of carrier grade communications equipment. This series of specifications incorporates the latest trends in high speed interconnect technologies, next generation processors and improved reliability, manageability and serviceability.
- AdvancedTCA has several key features including Gigabit/Terabit per second bandwidth across each shelf, 150 - 200 W per board and 3 kilowatts per chassis power. It accommodates larger (8 U x 280 mm) boards and a 1.2 mm pitch which allows larger/taller components and more space on each board. Over 100 companies participated in developing the ATCA specification

2.5 Plug-In Units "Ergonomic" acc. to AdvancedTCA

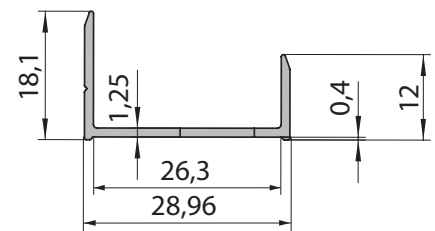
2.5.1 EMC ATCA Front Panels "Ergonomic"

- 8 U x 6 HP
- Conform to the PICMG 3.0 specification
- For boards with thicknesses of 1.6 mm to 2.4 mm
- Made for the ATCA Ergonomic handle family

2.5.1 EMC Front Panel 8 U x 6 HP Aluminium for Overlays

- Extruded aluminium
- Clear passivated
- **Scope of delivery:**
 - EMC front panel

Description	Part-No.
EMC front panel with pinhole for microswitch activation	66-535-38



2: Front Panels for Plug-In Units

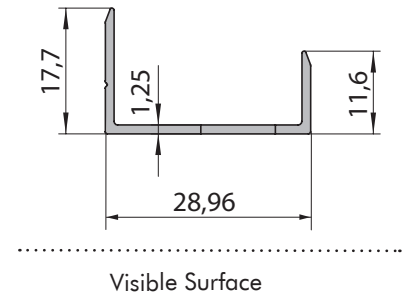
2.5.2 EMC Front Panel 8 U x 6 HP Aluminium



2.5.2 EMC Front Panel 8 U x 6 HP Aluminium

- Extruded aluminium
- Surfaces: visible part : Clear anodised
rest: Clear passivated
- **Scope of delivery:**
 - EMC front panel

Description	Part-No.
EMC front panel	66-536-28
EMC front panel with pinhole for microswitch activation	66-536-38



2.5.3 ATCA Ergonomic Handle



2.5.3 ATCA Ergonomic Handle

- Pre-assembled
- Easy assembling onto front panel and PCB
- **Scope of delivery:**
 - Handles pre assembled
 - Screws front panel assembly loose packed
 - Screws PCB mounting loose packed

Description	Part-No.
Top handle	81-300-00
Bottom handle	81-301-00
Bottom handle with pin for microswitch activation	81-301-01

2.5.4 Microswitch for Injector/Ejector Handle



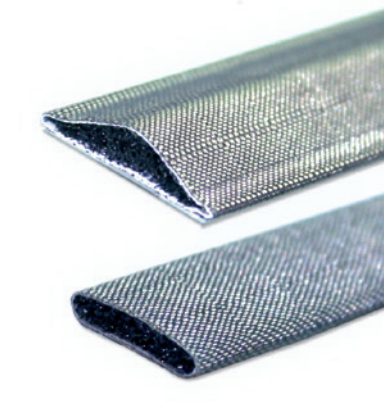
2.4.4 Microswitch for Injector/Ejector Handle

- Technical data and function see 3.5.3.1

Description	Part-No. 10 pcs.
Microswitch with pre-assembled wire cable length (25 mm)	81-088-1

Assembly material for mounting of Microswitch onto front panel acc. to ATCA, 2 pcs. 5686-05 have to be ordered separately

2.5.5 EMC-Gasket



2.4.5 EMC-Gasket

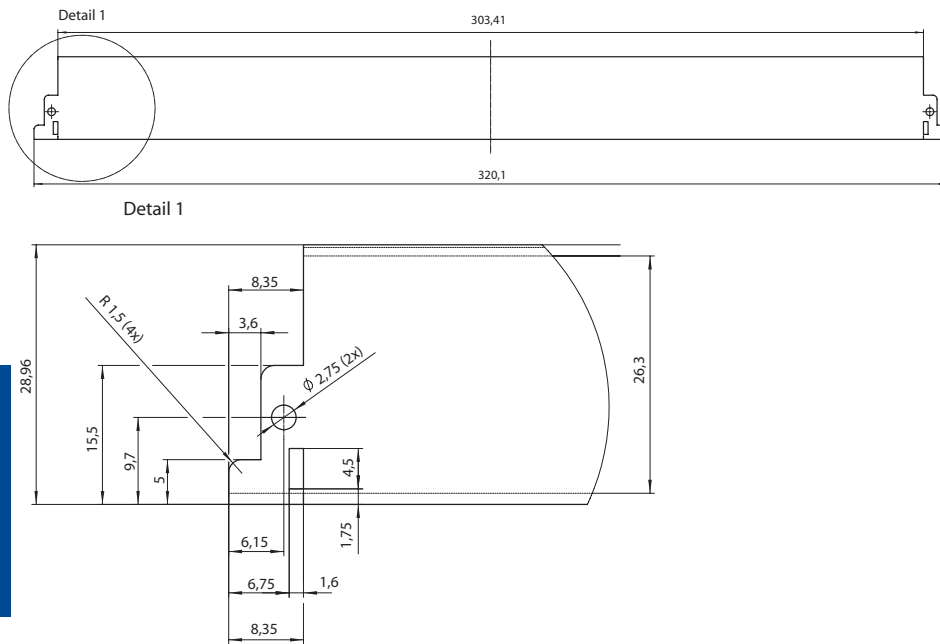
- Polyurethan foam core
- Conductive fabric (Cu + nickel plated)

Description	Part-No.
EMC-gasket 2 x 7 mm, L = 300 mm	7820-95
EMC-gasket triangular. 2.3 x 10 mm, L = 300 mm	7821-300
EMC-gasket triangular. 2.3 x 10 mm, L = 2000 mm	7821-2000

2: Front Panels for Plug-In Units

2.5.6 Cutouts for ATCA Ergonomic Handle without Switching Nose

- Microswitch 81-088 assembled to handle
- Microswitch activation through interlock (sliding button) on handle



2.5.7 Cutouts for ATCA Ergonomic Handle with Switching Nose

- Microswitch 81-088 assembled to front panel
- Microswitch activation through switching pin on lever handle

