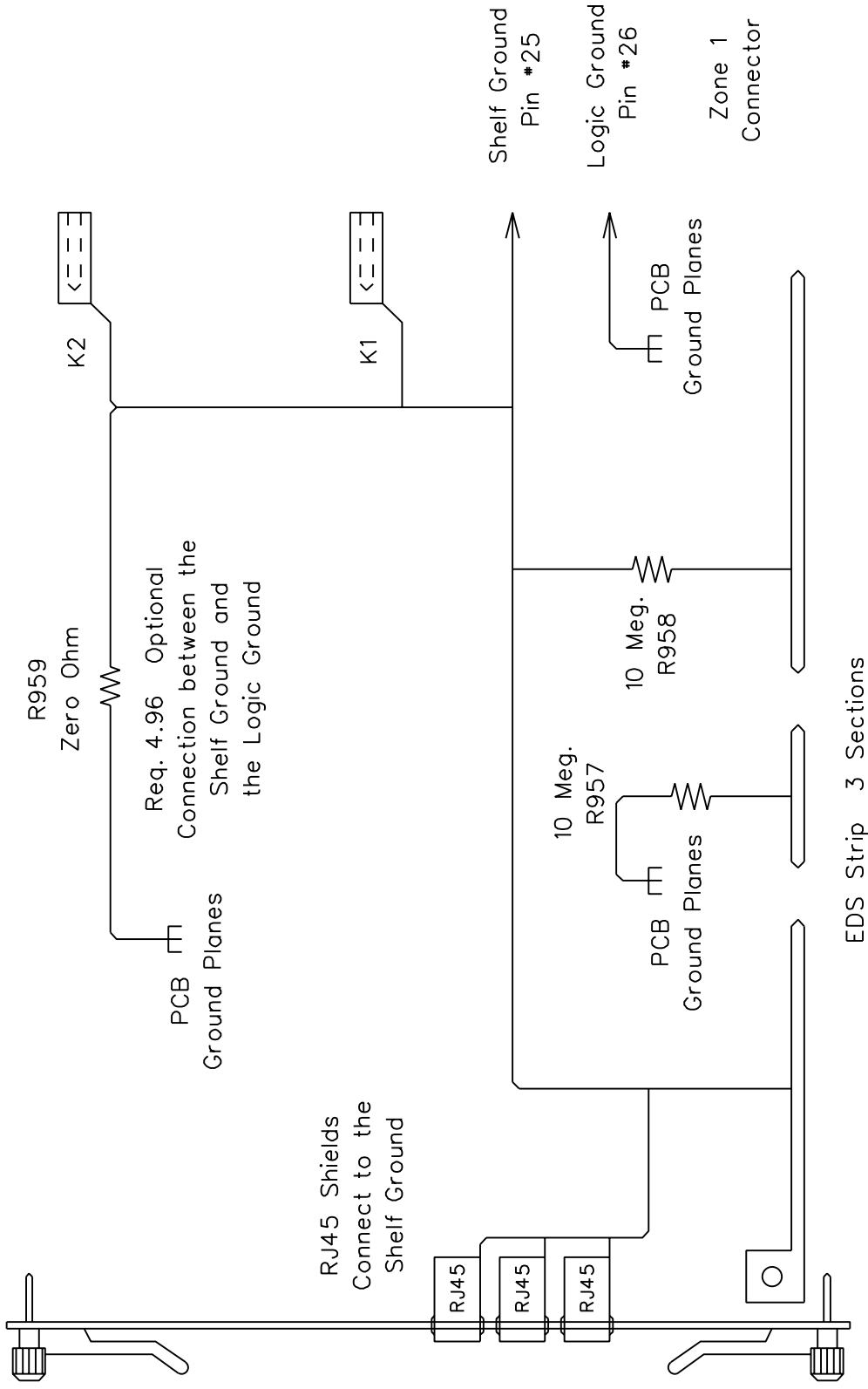


Hub-Module Ground Connections



The Front Panel Connects to the Front Section of the EDS Strip and thus to the Shelf Ground

Not shown are the 400 connections from the Zone 2 Connector Ground Pins to the PCB Ground Planes.