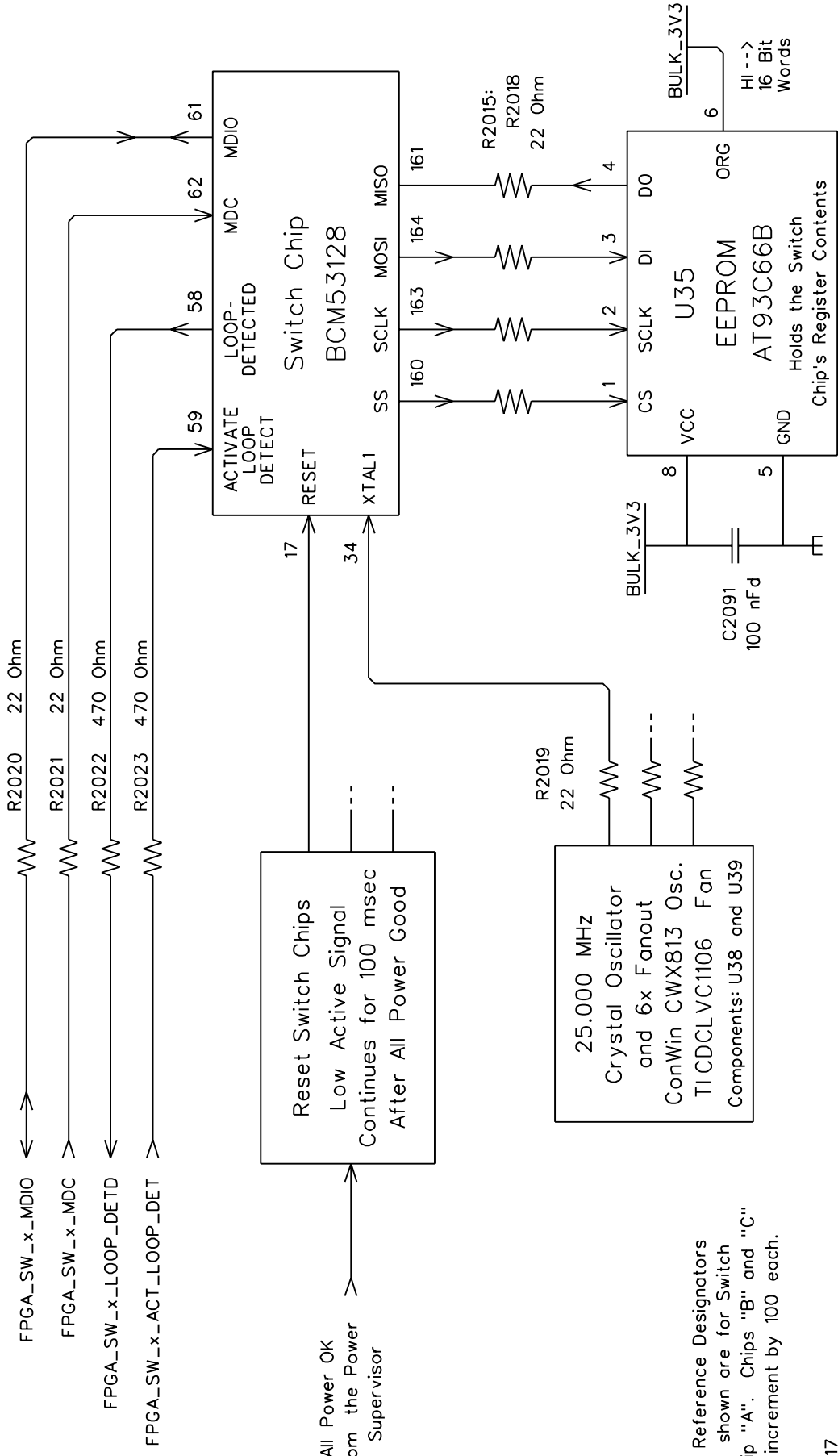


# Switch Chip - Support Circuits 1

Signals to/from pins in the Hub's  
UltraScale FPGA 3V3 Select I/O Banks



Reference Designators  
shown are for Switch  
Chip "A". Chips "B" and "C"  
increment by 100 each.