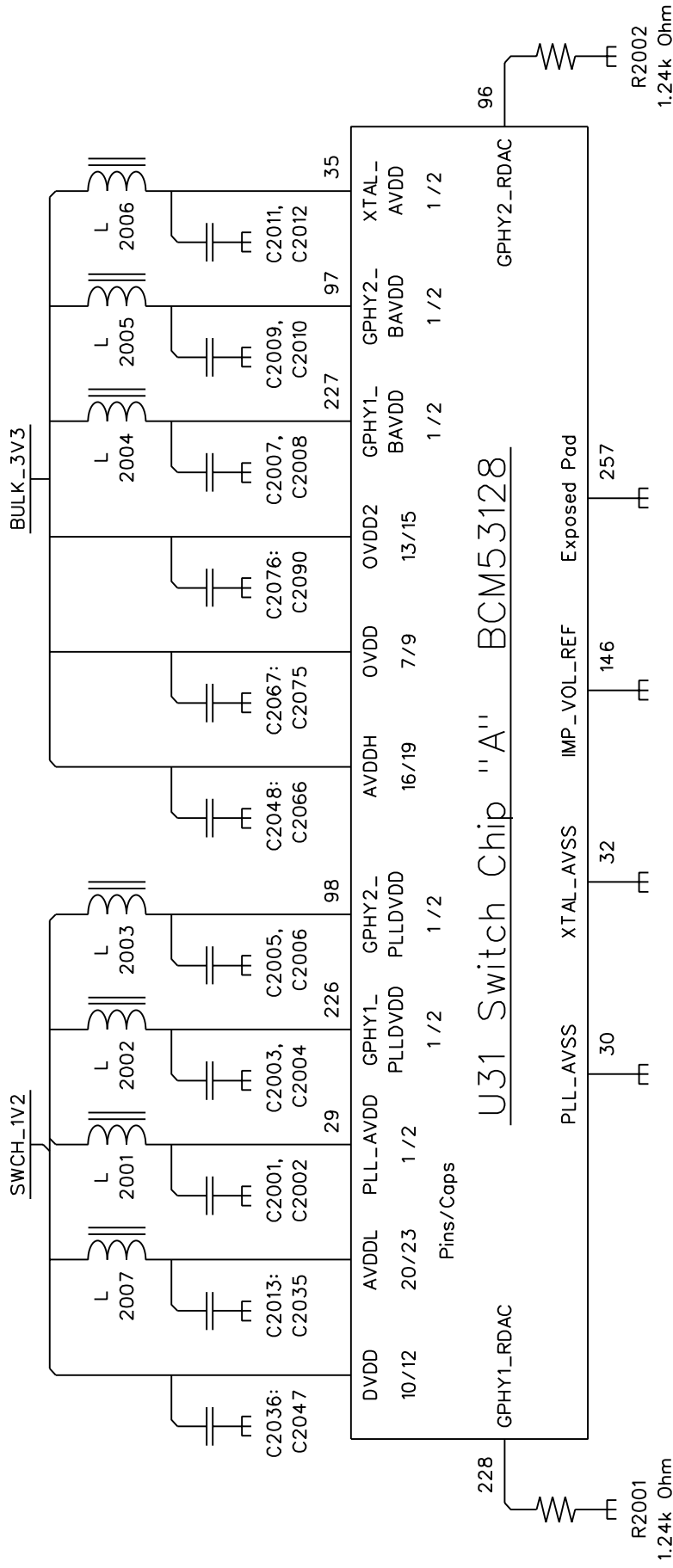


Switch Chip - Support Circuits 2



- DVDD Pins: 16, 27, 31, 40, 53, 135, 148, 162, 169, 183
- AVDDL Pins: 71, 77, 83, 89, 95, 100, 106, 112, 118, 124, 200, 206, 212, 218, 224, 229, 235, 241, 247, 253
- AVDDH Pins: 74, 80, 86, 92, 103, 109, 115, 121, 203, 209, 215, 221, 232, 238, 244, 250
- OVDD Pins: 125, 129, 133, 138, 142, 145, 153
- OVDD2 Pins: 3, 11, 19, 43, 44, 57, 63, 68, 165, 173, 180, 187, 193

- Reference Designators are shown for U31 Switch Chip "A".
- Reference Designators increment by 100 going to chips "B" and "C".
- 10 uF Capacitors: C2001, C2003, C2005, C2007, C2009, C2011, C2013, C2015, C2036, C2037, C2048, C2050, C2067, C2068, C2076, C2077
- 1 uF Capacitors: C2016, C2035, C2051, C2066
- 100 nF Capacitors: C2002, C2004, C2006, C2008, C2010, C2012, C2038, C2047, C2069, C2075, C2078, C2090