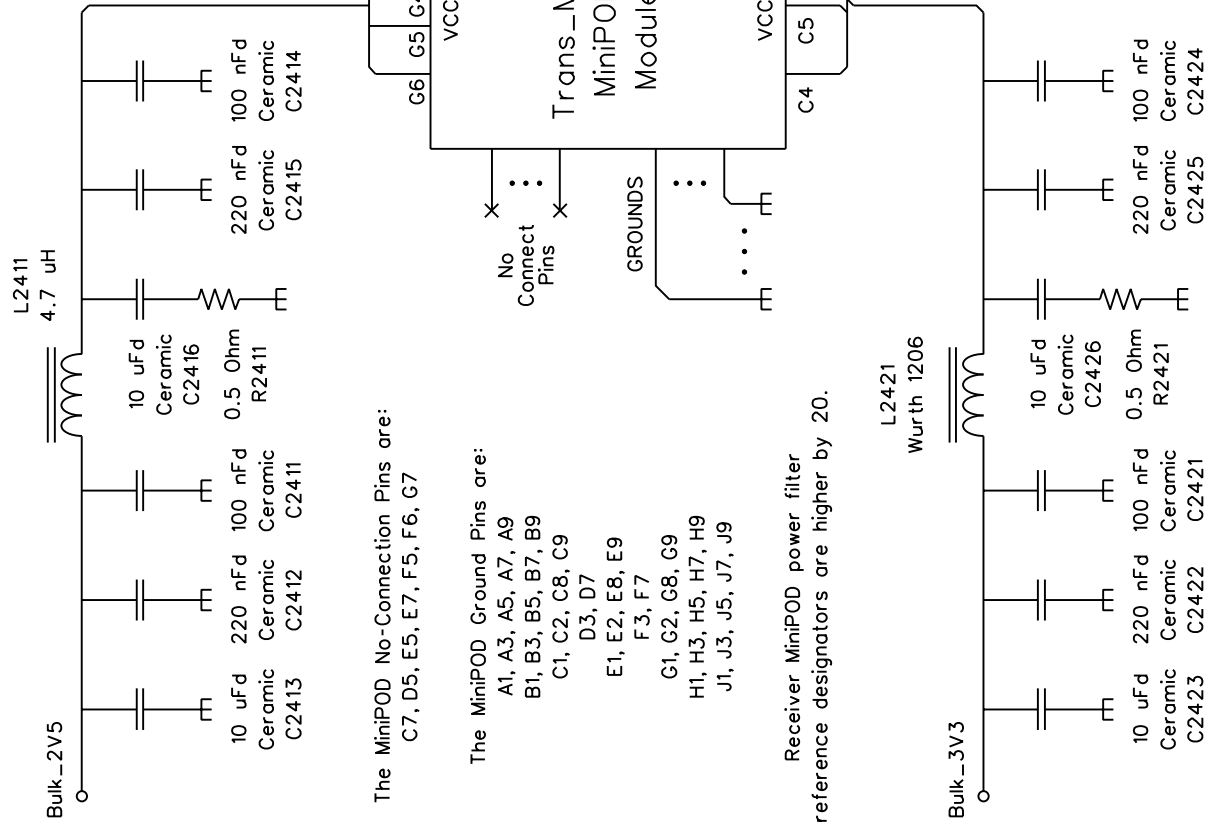


# Transmitter and Receiver MiniPOD Modules

Transmitter MiniPOD Trans\_MP1 is shown in this drawing.  
 Only Trans\_MP1 fibers D0, D1, D2, D4, D6, D8, D10, D11 are driven.  
 Tx2 and Tx0 in MGT Quads: 227, 226, 225, 224 drive these fibers  
 in that order.

Receiver MiniPOD Rec\_MP2 has a similar circuit.  
 Rec\_MP2 fibers D2, D4, D6, D8 are received through coupling capacitors  
 in that order by Hub FPGA MGT Quad 224 Receivers:  
 Rx2, Rx1, Rx0 and by Quad 124 Receiver Rx0.  
 The other 8 MiniPOD fibers are not received.



The MiniPOD No-Connection Pins are:  
 C7, D5, E5, E7, F5, F6, G7

The MiniPOD Ground Pins are:  
 A1, A3, A5, A7, A9  
 B1, B3, B5, B7, B9  
 C1, C2, C8, C9  
 D3, D7  
 E1, E2, E8, E9  
 F3, F7  
 G1, G2, G8, G9  
 H1, H3, H5, H7, H9  
 J1, J3, J5, J7, J9

Receiver MiniPOD power filter  
 reference designators are higher by 20.

MiniPOD Signal Pin	Transmit Signal Pin	Receive Signal Pin	Data Pairs
D0*	D1	D4*	D8+ A8
D0-	D2	D4-	D8- B8
D1*	F1	D5*	D9+ J8
D1-	F2	D5-	D9- H8
D2*	A2	D6*	D10+ D9
D2-	B2	D6-	D10- D8
D3*	J2	D7*	D11+ F9
D3-	H2	D7-	D11- F8