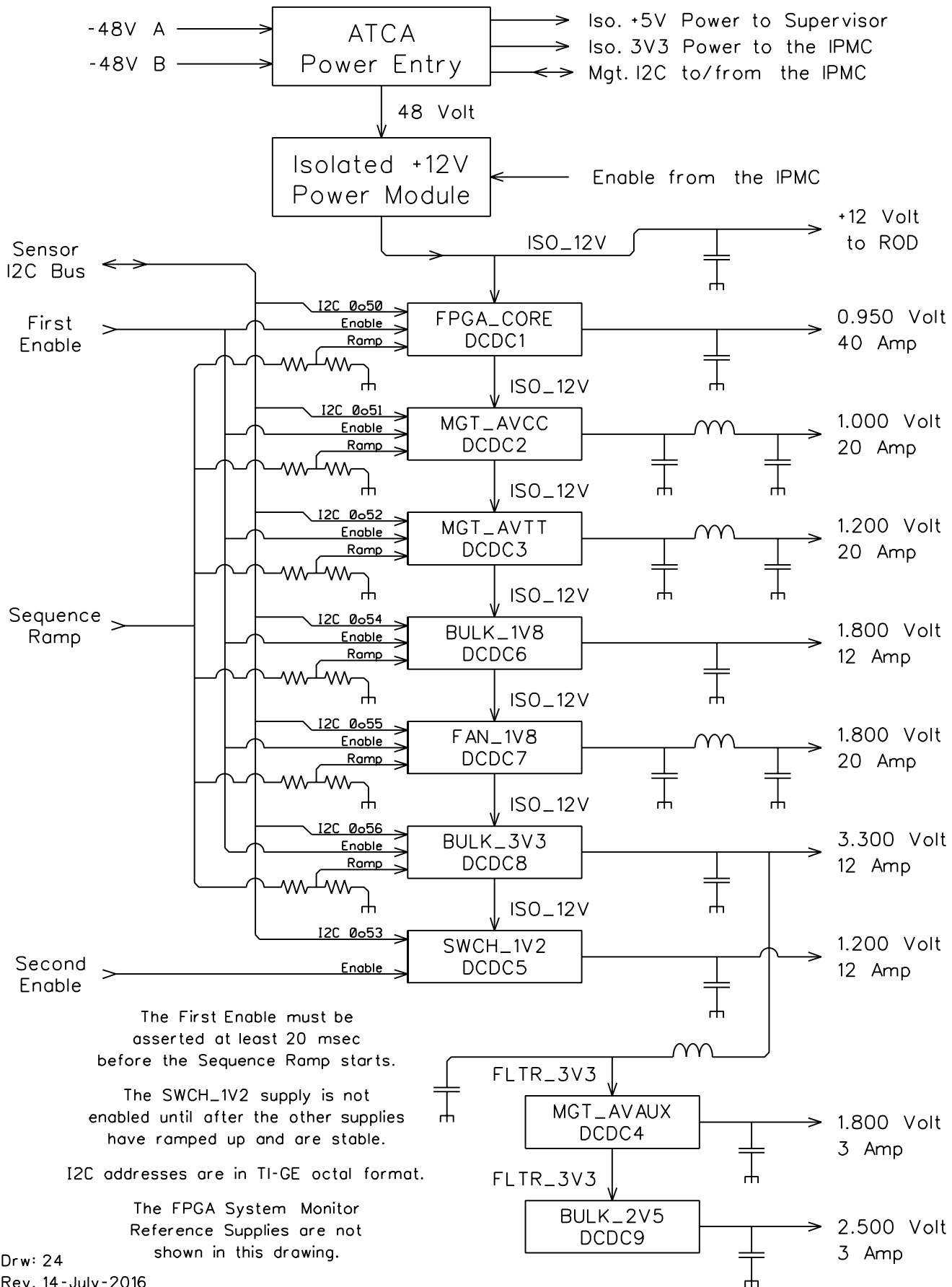


Hub Module Power Supplies



The First Enable must be asserted at least 20 msec before the Sequence Ramp starts.

The SWCH_1V2 supply is not enabled until after the other supplies have ramped up and are stable.

I2C addresses are in TI-GE octal format.

The FPGA System Monitor Reference Supplies are not shown in this drawing.