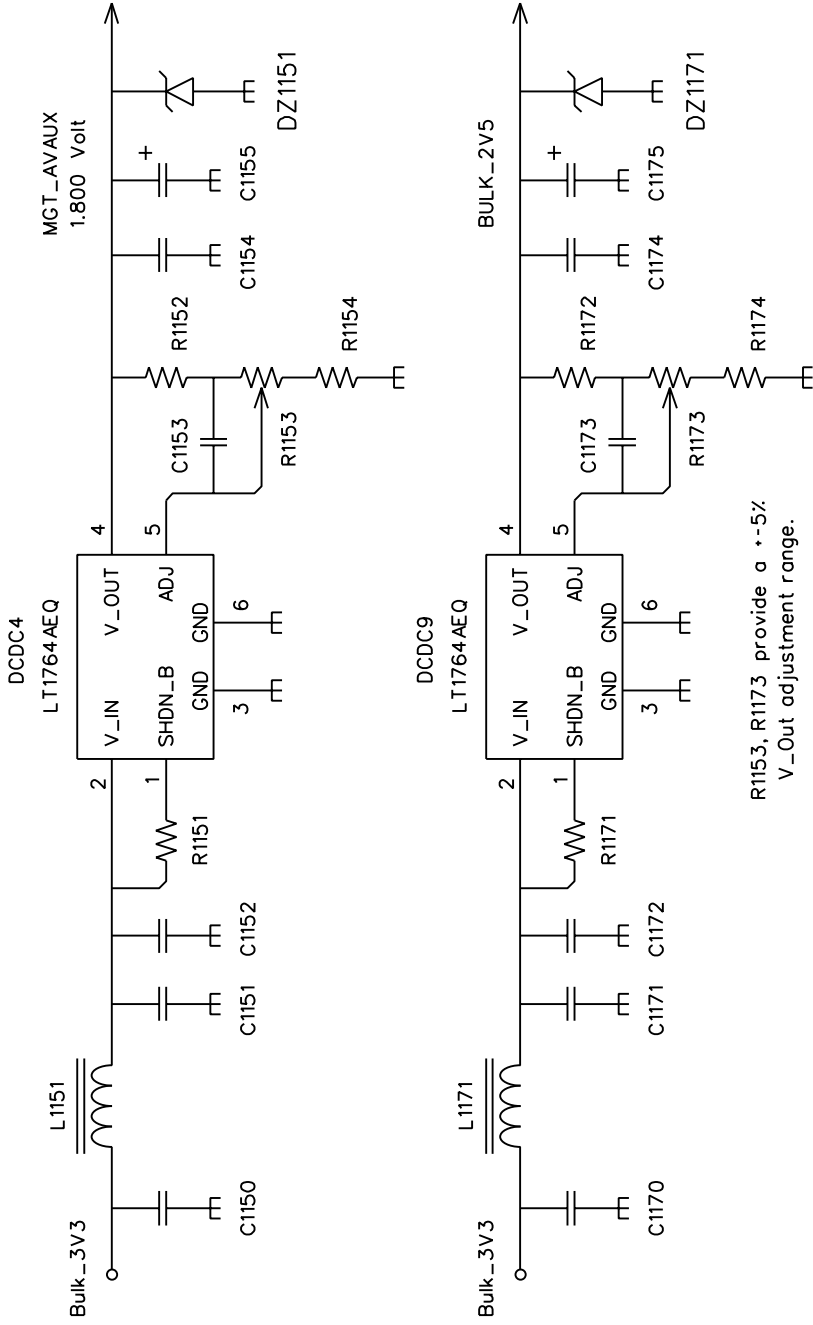


# Hub Module Linear Regulators



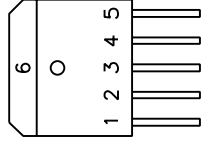
R1153, R1173 provide a +-5% V\_Out adjustment range.

### Component Values

C1150, C1170	Cap_220_nFd_0603	R1151, R1171	Res_Zero_Ohm_0603	L1151	Würth 742792116
C1151, C1171	Cap_220_nFd_0603	R1152	Res_464_Ohm_0603_TC	L1171	~2 uH, 2.5 Amp
C1152, C1172	Cap_10_uFd_10_V_0805	R1172	Res_1070_Ohm_0603_TC	DZ1151	MMSZ4683T1G
C1153, C1173	Cap_220_nFd_0603	R1153, R1173	Res_100_Ohm_3_Turn_Var	DZ1171	MMSZ4683T1G
C1154, C1174	Cap_10_uFd_10_V_0805	R1154, R1174	Res_1k_Ohm_0603_TC		
C1155, C1175	Cap_330_uFd_Tant_V				

LT1764AEQ\*PBF  
LT1764AEQ\*TRPBF

Top View DD Package



- 1 Shut\_Down\_B
- 2 V\_IN
- 3 Ground
- 4 V\_OUT
- 5 Sense/Adjust
- 6 Ground

Internal reference 1.210 Volt  
Dropout Voltage < 450 mV

### Expexted Loads

MGT_AVAUX 1.800 Volt	109 UltraScale GTH and GTY Connections 0.60 Amps est.
BULK_2V5 2.500 Volt	MiniPOD Trans + Rec 0.90 Amps max. Clock Fanout 0.30 Amps max.