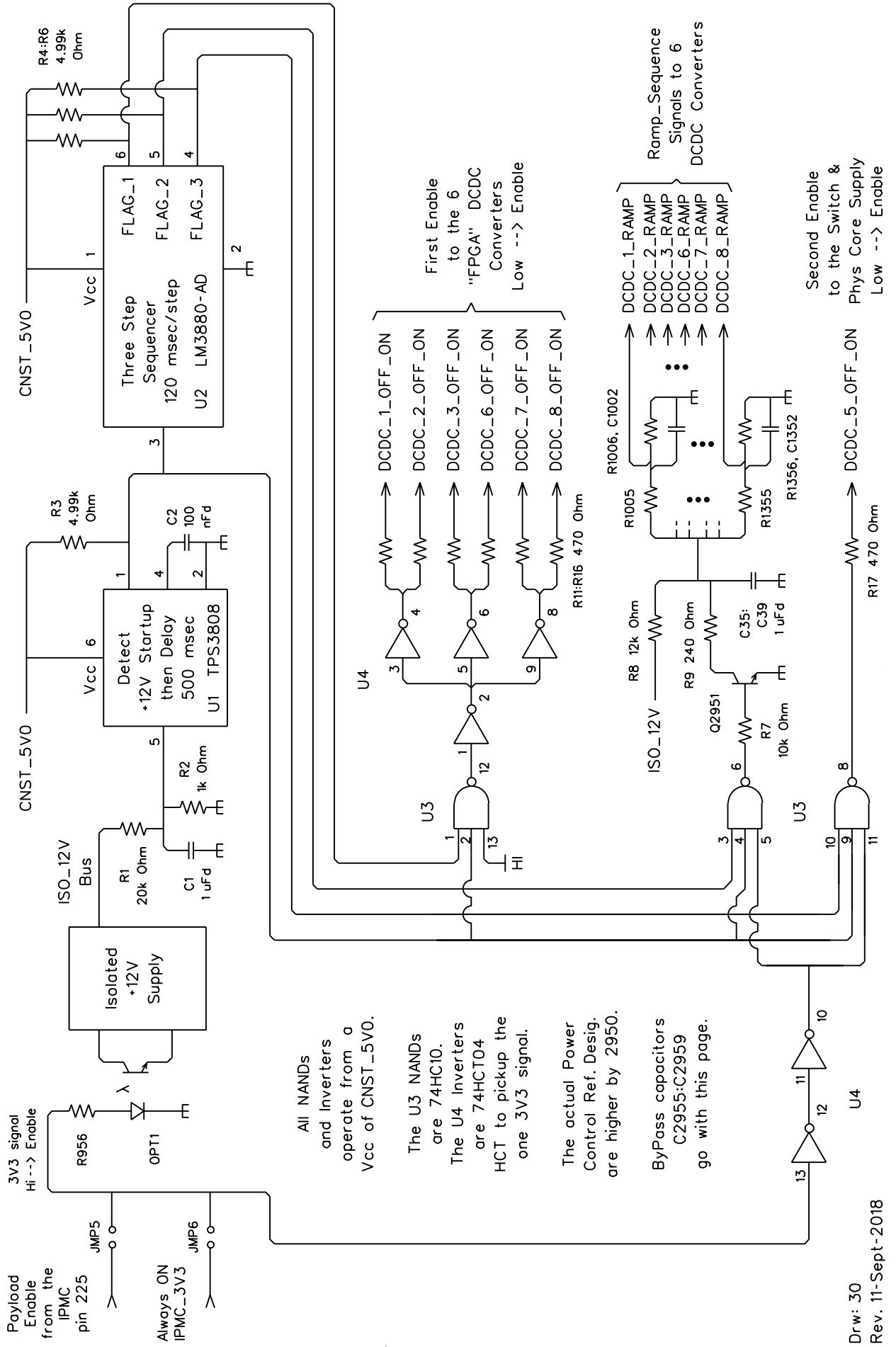


Hub Power Supply Control



All NANDs and Inverters operate from a Vcc of CNST_5V0.

The U3 NANDs are 74HC10.

The U4 Inverters are 74HCT04 HCT to pickup the one 3V3 signal.

The actual Power Control Ref. Design, are higher by 2950.

ByPass capacitors C2955:C2959 go with this page.