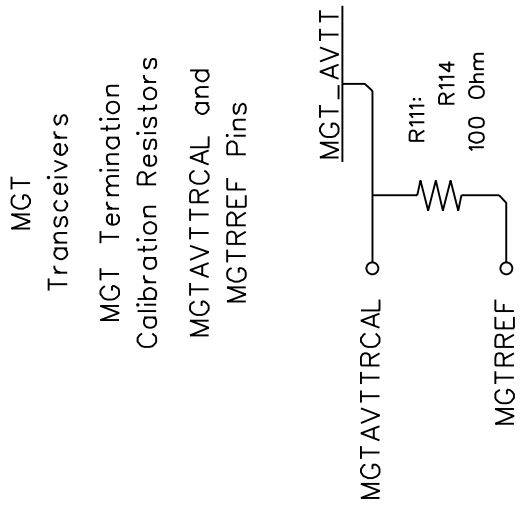


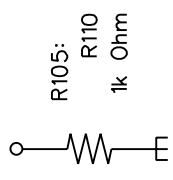
Hub FPGA DCI, VREF, MGT Calibration Resistors



Installed in Quads:
125, 130, 226, 231

These service all 80 MGT Transceivers

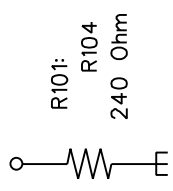
Select I/O
Banks
VREF Pull-Down
Resistors
VREF Pins



Installed in Banks:
65, 66, 67, 68, 71, 84, 94

Banks: 70, 72 are
only used for static output
signals in the Hub design.

Select I/O
Banks
DCI Calibration
Resistors
VRP Pins



Installed in Banks:
65, 66, 67, 68, 71

Banks: 70, 72 are
only used for static output
signals in the Hub design.

Banks: 84, 94
do not support DCI.