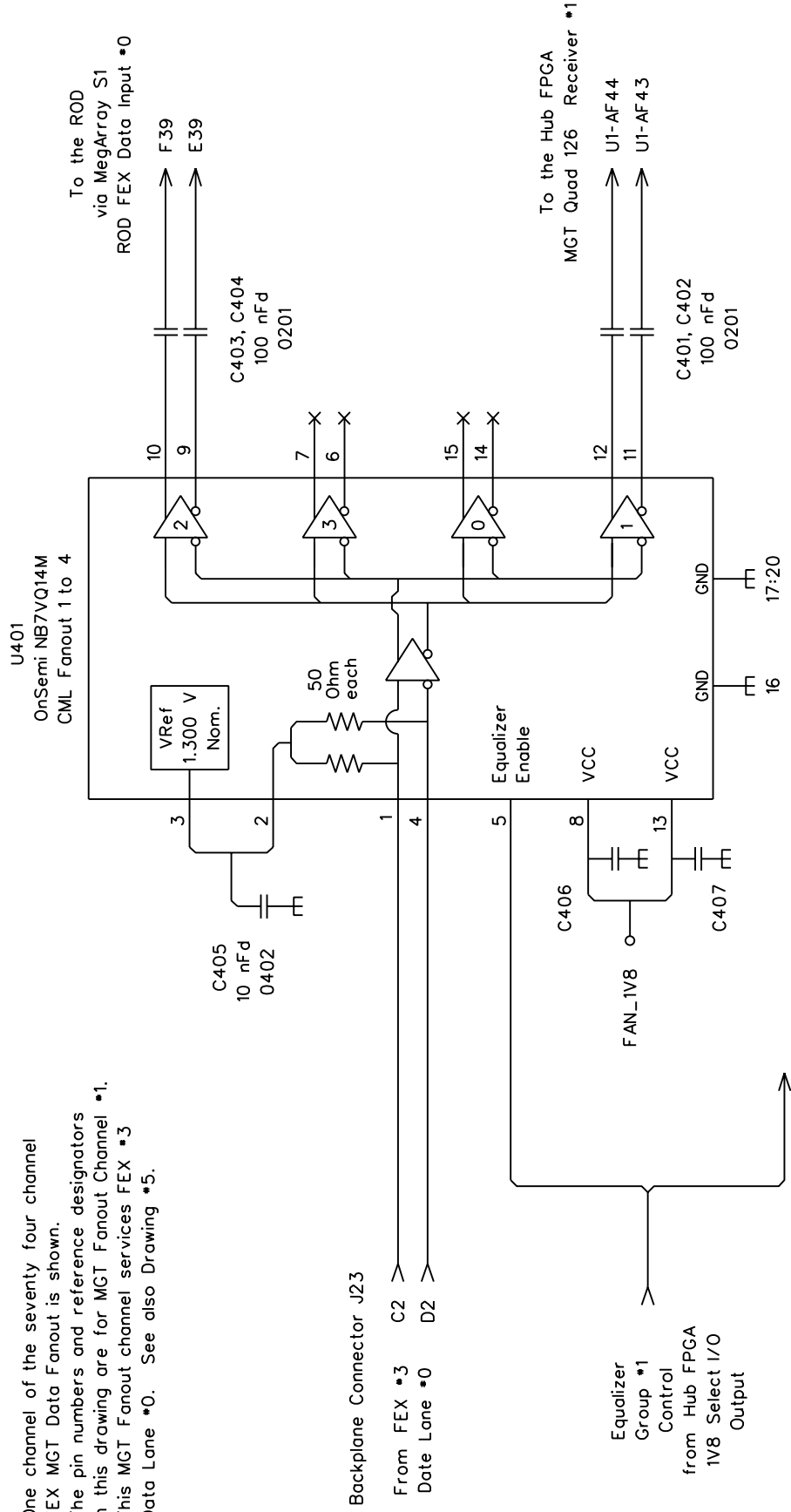


FEX MGT Data FanOut

One channel of the seventy four channel FEX MGT Data Fanout is shown. The pin numbers and reference designators in this drawing are for MGT Fanout Channel #1. This MGT Fanout channel services FEX #3 Data Lane #0. See also Drawing #5.



Expected Vcc current per chip:
 170 mA typ. 210 mA max.
 Expected total MGT Fanout current:
 12.6 Amps typ. 15.5 Amps max.
 With the FAN_1V8 supply set for 1.800 Volts,
 Expected total MGT Fanout power:
 22.6 Watts typ. 28.0 Watts max.

C406	47 nFd	0402
C407	100 nFd	0402

There is an independent Equalizer Group Control signal for each FEX Data Source.