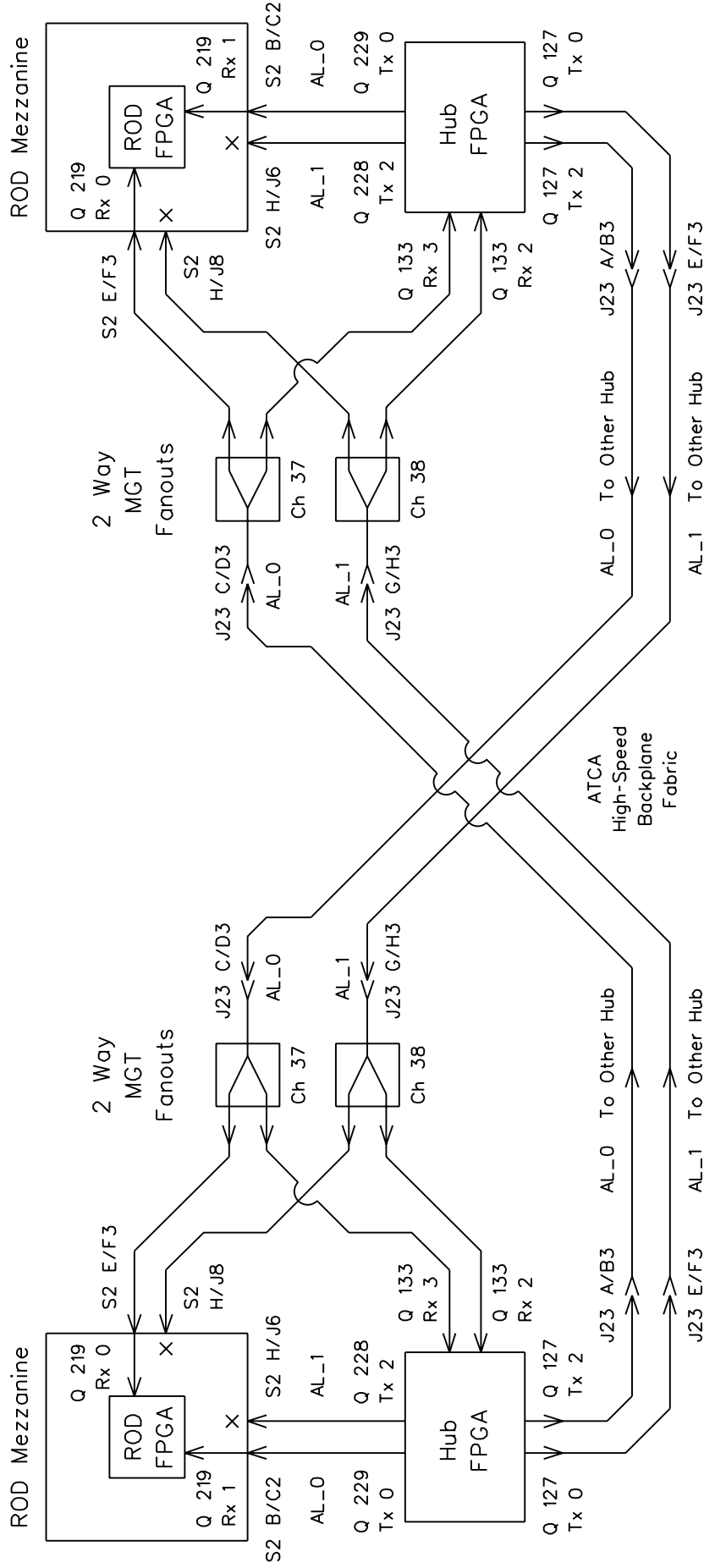


Hub Readout Data Connections

Hub+ROD ATCA Slot #1

Hub+ROD ATCA Slot #2



The lines in this drawing show the flow of Hub Readout Data both within a Hub card and between the two Hub cards.

AL_0 ----> Aurora Lane 0
 AL_1 ----> Aurora Lane 1

"Q" ----> MGT Quad Number
 Rx/Tx ----> Channel In Quad